



GERBER

41-552 Series Kits - Less Tubing & Tee (Schedule 40)

Features:

- Patented adjustable self-retaining rubber head gasket
- Cast brass shoe plug
- Partially assembled in carton
- Compartmentalized packaging
- Available in Chrome only

Standards & Certifications:

- IAPMO/cUPC

Catalog Numbers:

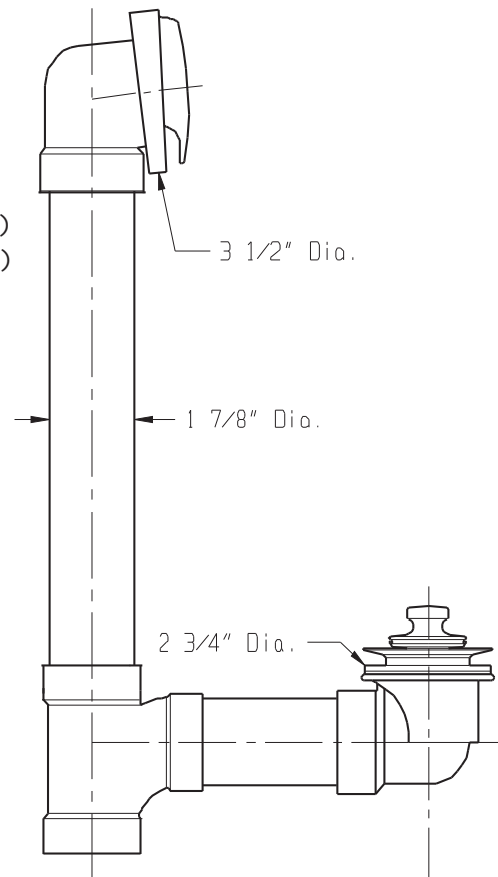
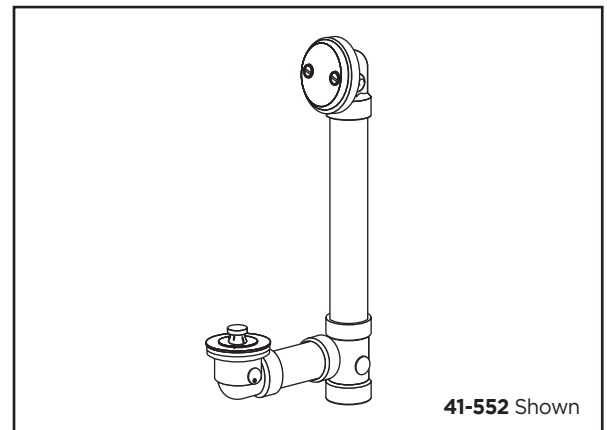
- 41-552** Two-hole faceplate, PVC(Chrome)
- 41-552-76** Two-hole faceplate with retaining ring, PVC (Chrome)
- 41-552-88** Two-hole faceplate, "Clean Out Here", PVC (Chrome)
- 41-652** ABS (Chrome)

Prefixes Available:

None

Suffixes Available:

- 76 Retaining Ring (Compliance w/Chicago Code In Special Finishes)
- 88 "Clean-out Here" on Face Plate w/Retaining Ring (Chicago Code Chrome Only)



Job Name	
Date	
Model Specified	
Quantity	
Customer	
Contractor	
Architect/engineer	

Gerber Toll Free Technical Support: 888-648-6466
www.gerberonline.com