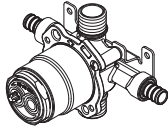
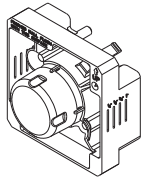


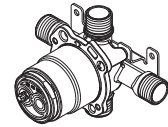
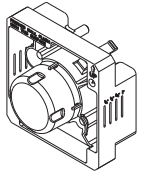
SPECIFICATIONS

Use with trim kits for:

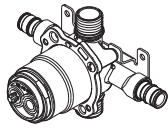
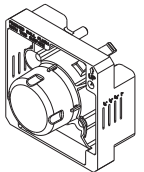
GERBER



G00GS504



G00GS505



G00GS507

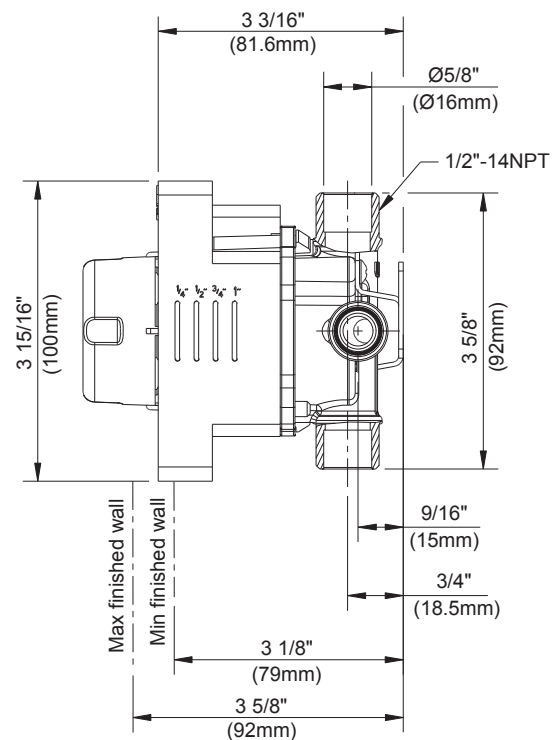
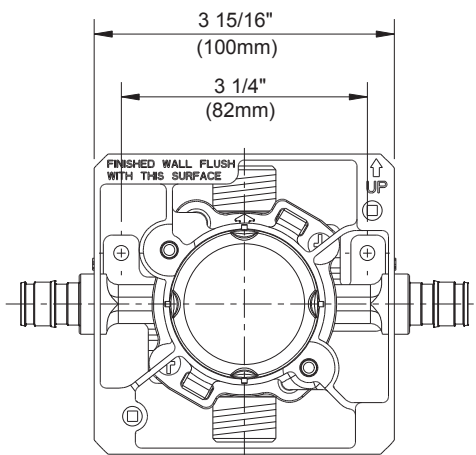
Features/Benefits

- Includes Forged Valve Body, Plaster Guard and Innovative Pressure Test Cap
- Connection Type:
G00GS504: 1/2" Crimp PEX Inlets, 1/2" IPS/Sweat Outlets
G00GS505: 1/2" IPS/Sweat Inlets, 1/2" IPS/Sweat Outlets
G00GS507: 1/2" Cold Expansion PEX Inlets, 1/2" IPS/Sweat Outlets
- Installed Rough-In Can Be Pressure Tested to 150 psi (Air or Water), Mixed or Isolated Inlets, Using Included Pressure Test Plug
- Accommodates Standard, Back-to-Back, and Thin Wall Installations
- Integrated, Easy-Access Mounting System
- Treysta Cartridge Ships with Trim, Sold Separately

SKU# Numbers

- G00GS504 Crimp PEX Inlets without Stops
 G00GS505 IPS/Sweat Inlets without Stops
 G00GS507 Cold Expansion PEX Inlets without Stops

Standards & Certifications



Submittal Information:

Name: _____
 Location: _____

Contractor: _____
 Contact #: _____