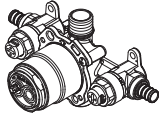
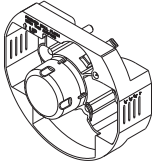
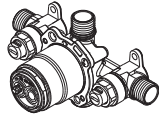
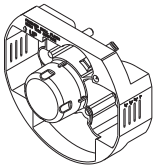


SPECIFICATIONS

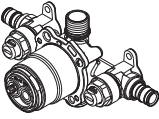
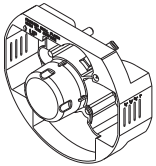
Use with trim kits for: **GERBER**



G00GS504S



G00GS505S



G00GS507S

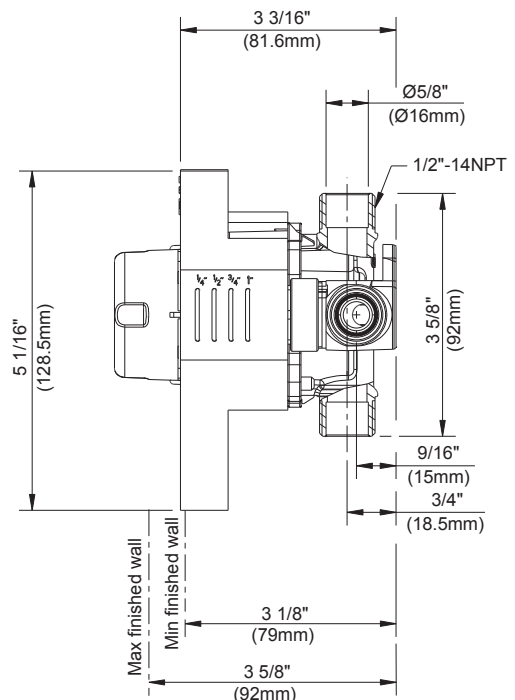
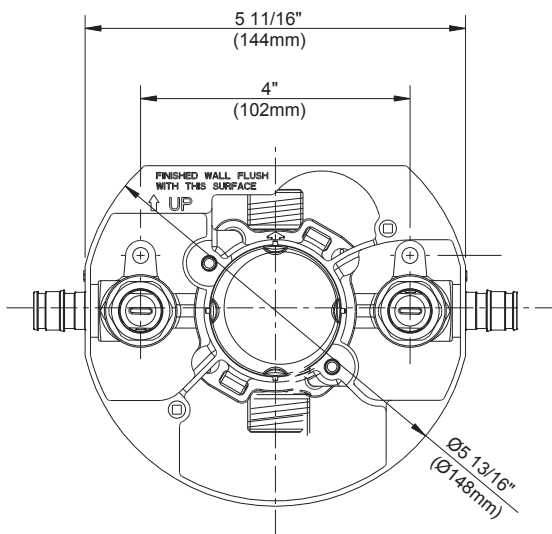
Features/Benefits

- Includes Forged Valve Body, Plaster Guard and Innovative Pressure Test Cap
- Connection Type:
 G00GS504S: 1/2" Crimp PEX Inlets, 1/2" IPS/Sweat Outlets
 G00GS505S: 1/2" IPS/Sweat Inlets, 1/2" IPS/Sweat Outlets
 G00GS507S: 1/2" Cold Expansion PEX Inlets, 1/2" IPS/Sweat Outlets
- Includes 1/4 Turn Service Stops
- Installed Rough-In Can Be Pressure Tested to 150 psi (Air or Water), Mixed or Isolated Inlets, Using Included Pressure Test Plug
- Accommodates Standard, Back-to-Back, and Thin Wall Installations
- Integrated, Easy-Access Mounting System
- Treysta Cartridge Ships with Trim, Sold Separately

SKU# Numbers

- G00GS504S Crimp PEX Inlets with Stops
- G00GS505S IPS/Sweat Inlets with Stops
- G00GS507S Cold Expansion PEX Inlets with Stops

Standards & Certifications



Submittal Information:

Name: _____
 Location: _____

Contractor: _____
 Contact #: _____