

5 9/16" Wall Mount Tub Spout with Diverter


SPECIFICATIONS

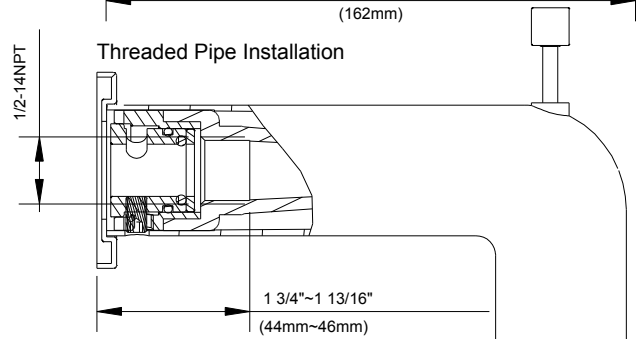
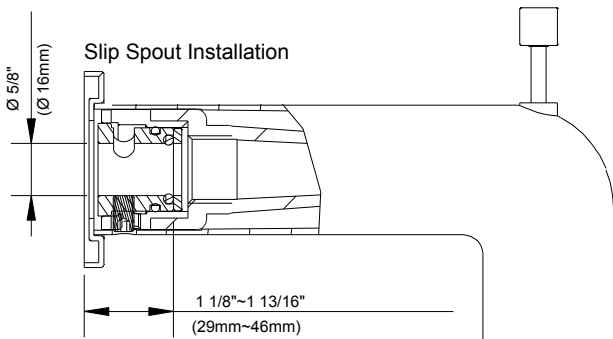
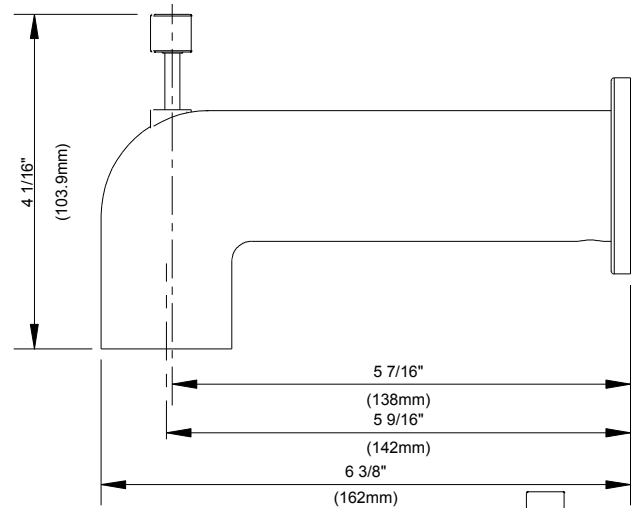
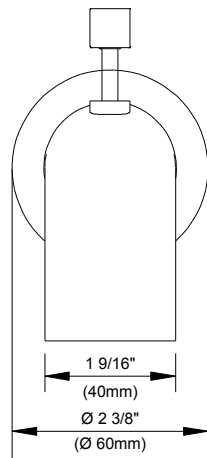


Features/Benefits

- Fits 1/2" Copper or 1/2" IPS Stub Out Nipple
- Diverter on Tub Spout
- 6 3/8" Spout Length
- All Metal Body

Available Color/Finishes

Color	Description
	Chrome
Please see danze.com or current price list for available finishes.	
Finish is defined by additional suffix.	



Submittal Information:

Name: _____
Location: _____

Contractor: _____
Contact #: _____