

SPECIFICATIONS

Features/Benefits

- D469050: Two Position Wall Mount Bracket for Handshowers
- D469100: Shower Arm Mount with Brass Ball Joint and Integral Check Valve

Available Color/Finishes

Color	Description
	Chrome

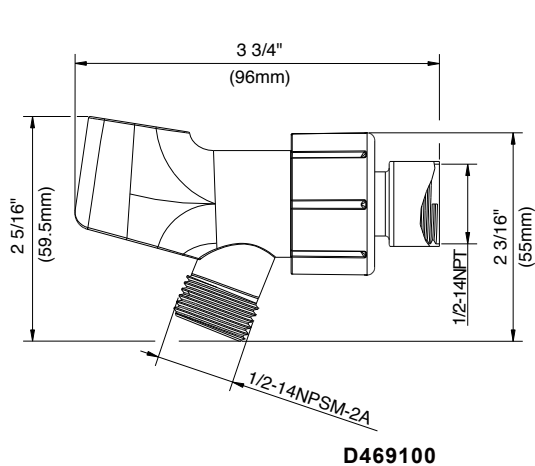
Please see gerberonline.com or current price list for available finishes. Finish is defined by additional suffix.



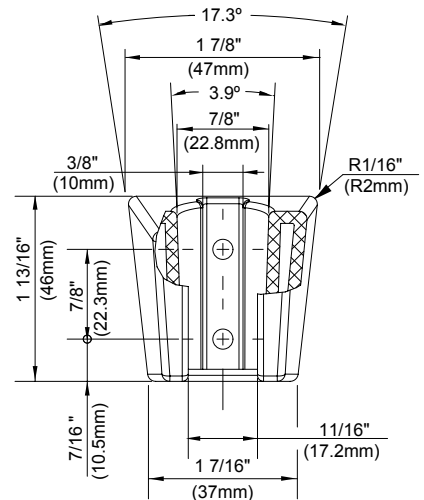
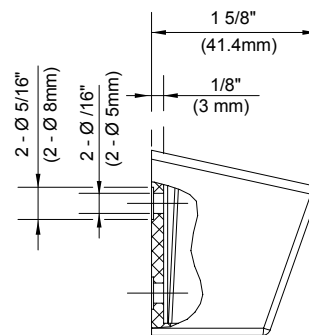
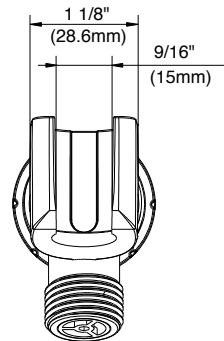
D469100



D469050



D469100



D469050

Submittal Information:

Name: _____
 Location: _____

Contractor: _____
 Contact #: _____