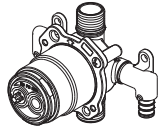
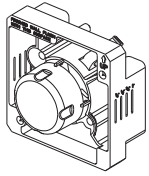
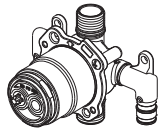
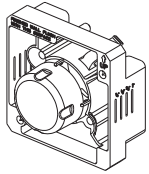


SPECIFICATIONS

Use with trim kits for: **GERBER**



G00GS525



G00GS527

Features/Benefits

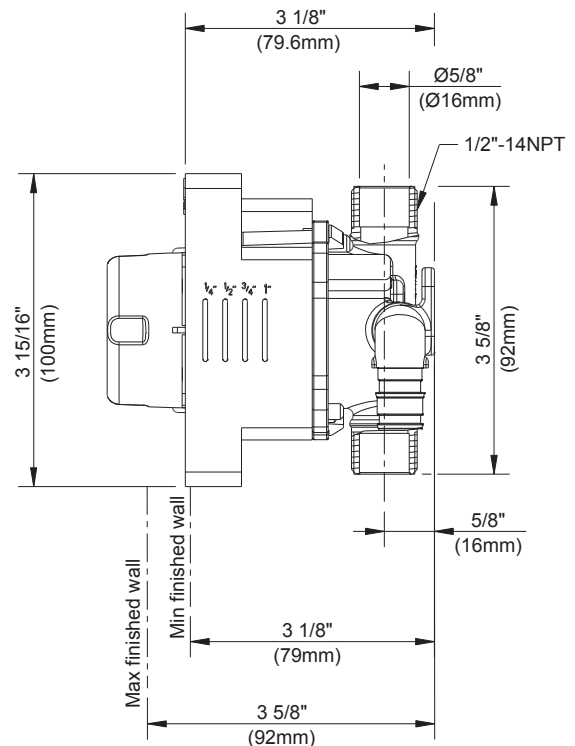
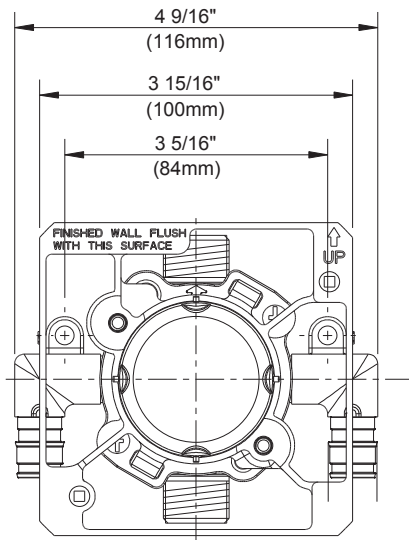
- Includes Forged Valve Body, Plaster Guard and Innovative Pressure Test Cap
- Connection Type:
G00GS525: 1/2" Crimp PEX Inlets, 1/2" IPS/Sweat Outlets
G00GS527: 1/2" Cold Expansion PEX Inlets, 1/2" IPS/Sweat Outlets
- Installed Rough-In Can Be Pressure Tested to 150 psi (Air or Water), Mixed or Isolated Inlets, Using Included Pressure Test Plug
- Accommodates Standard, Back-to-Back, and Thin Wall Installations
- Integrated, Easy-Access Mounting System
- Treysta Cartridge Ships with Trim, Sold Separately

SKU# Numbers

G00GS525 Crimp PEX Inlets without Stops

G00GS527 Cold Expansion PEX Inlets without Stops

Standards & Certifications



Submittal Information:

Name: _____
Location: _____

Contractor: _____
Contact #: _____