

SPECIFICATIONS

Features/Benefits

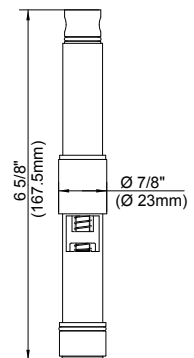
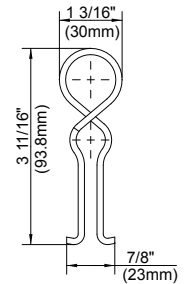
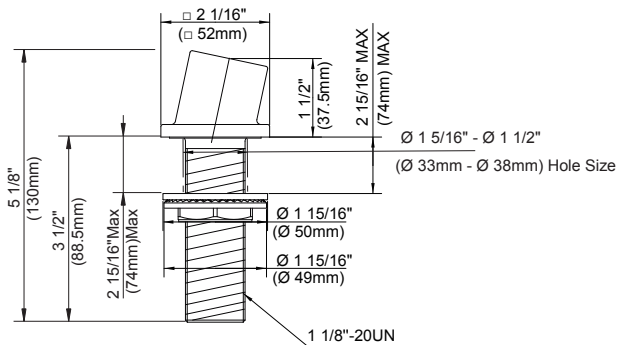
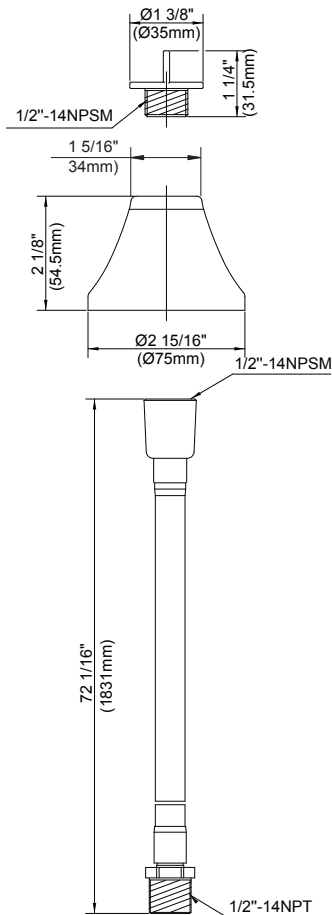
- Includes Hose, Holder and Diverter
- Fits Personal Spray D492120
- Includes Protection Cap for Rough-In Until Personal Spray Installed
- Coordinates with Avian™, Mid-Town® and Sirius® Collection

Available Color/Finishes

Color	Description
-------	-------------

	Chrome
---	--------

Please see gerber-us.com or current price list for available finishes. Finish is defined by additional suffix.



Submittal Information:

Name: _____
Location: _____

Contractor: _____
Contact #: _____