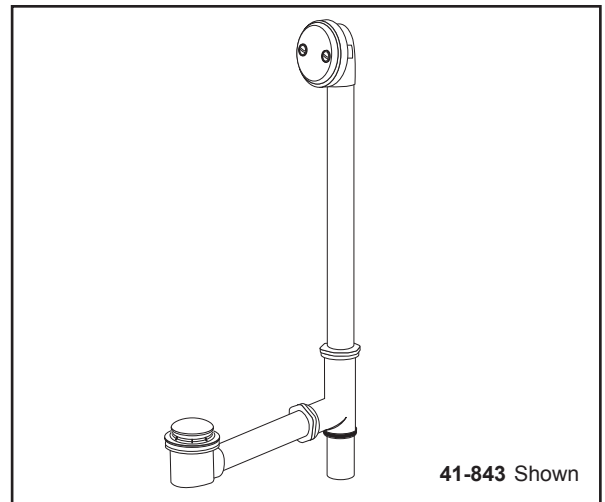


Features:

- Fits most tubs to 24" high
- 1-1/2" brass tubing in 17 Gauge
- Patented adjustable self-retaining rubber head gasket
- Positive seal with long lasting cam mechanism
- Cast brass shoe plug
- Heavy duty cast red brass head, tee and shoe
- Cast red brass coupling nuts supplied with 17 Gauge Tubing
- Partially assembled in carton
- Compartmentalized packaging
- Available in Chrome and Polished brass



Technical Specifications:

- CSA B125-93

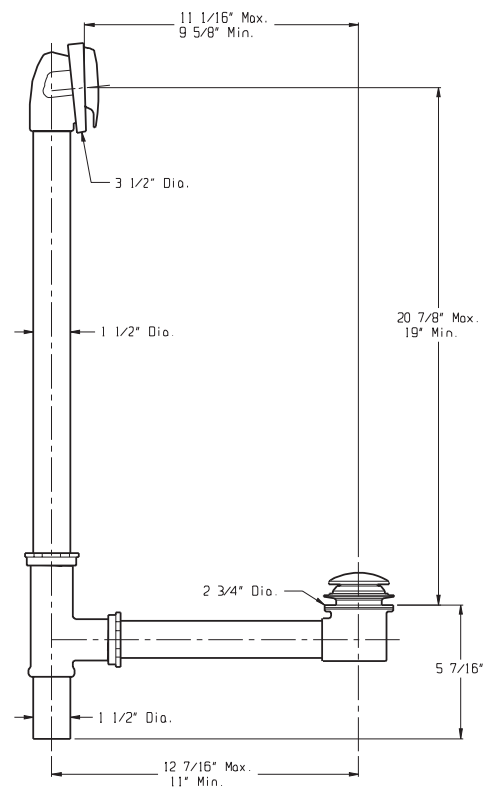
Catalog Numbers:

41-843 17 Gauge (Chrome)

81-887 17 Gauge (Polished Brass)

Suffixes Available:

- 70 Female Outlet Tee
- 71 Philadelphia Trap (3 Nuts & Washers, Less Tailpiece)
- 72 Condensate Head (3/4" Inlet)
- 76 Retaining Ring (Compliance w/Chicago code In Special finishes)
- 88 "Clean-out Here" on Face Plate w/Retaining Ring (Chicago Code Chrome Only)
- 92 Drain-In-Shoe Installation (Excluding Trip Lever)
- 97 Side Outlet Installation (Excluding Trip Lever & Plastic)



Job Name	
Date	
Model Specified	
Quantity	
Customer	
Contractor	
Architect/engineer	

GERBER®

PROFESSIONAL PERFORMANCE

Gerber Toll Free Technical Support: 888-648-6466
www.gerberonline.com