

SPECIFICATIONS






Features/Benefits

- Can Be Used as Trim Only for 1/2" Shower Diverter, 3-Port/ 2-Outlet or 4-Port/ 3-Outlet
- Requires Single Handle 4 Position Diverter Valve, D130510BT, or Single Handle 3 Position Diverter Valve, D130515BT, or Single Handle 8 Position Diverter Valve, D130010BT, Sold Separately
- Deep Wall Extension Kit, D130011B, Sold Separately
- Includes Escutcheon and Control Handle Assembly

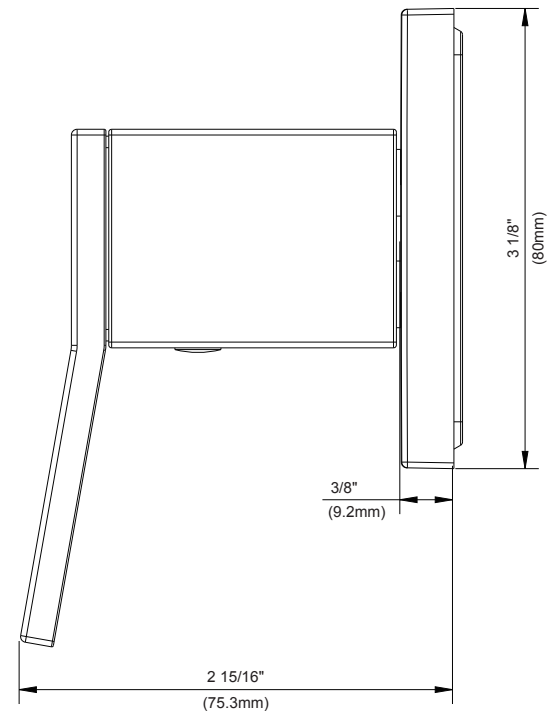
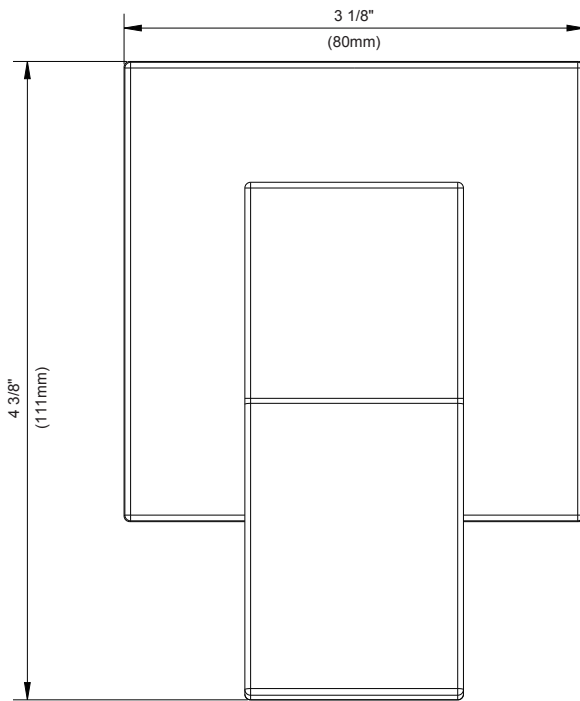
Available Color/Finishes

Color tiles intended for reference only.

Color	Code	Description
		Chrome
	BN	Brushed Nickel
	BS	Satin Black

Standards & Certifications

ASME A112.18.1/CSA B125.1
 ADA for lever handle control



Submittal Information:

Name: _____
 Location: _____

Contractor: _____
 Contact #: _____