



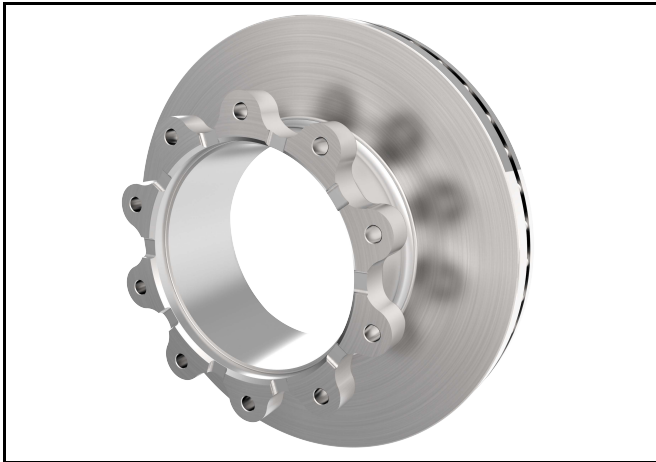
Service Kit Part Number 10082181
ConMet U-Shaped Rotor 10080753
Rotor Minimum Thickness 1.46" (37.0 mm)

DISC BRAKE ROTOR REPLACEMENT

NOTE

Install the brake rotor using only the hardware provided in the kit.

1. Clean the mounting surfaces on the hub and place the disc brake rotor onto the hub. Install the disc brake rotor using the hardware provided in the brake rotor kit.
2. Install and torque the rotor cap screws in a star pattern to 220 ft-lbs.



ConMet 10080753 U-Shaped Rotor

