



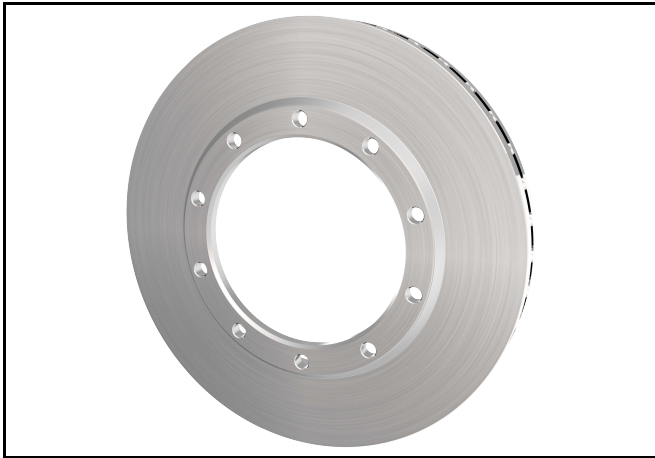
Service Kit Part Number 10041217
ConMet Flat Rotor 1001996
Rotor Minimum Thickness 1.42" (36.1mm)

DISC BRAKE ROTOR REPLACEMENT

NOTE

Install the brake rotor using only the hardware provided in the kit.

1. Clean the rotor mounting surface on the hub and position the disc brake rotor on to the hub.
2. Install and torque the rotor cap screws in a star pattern to 110 ft-lbs.



ConMet 1001996 MD Flat Rotor

1. Hub Assembly (not included)
2. 10019996 Flat Rotor
3. 1/2" Flat Washer (10 ea.)
4. 1/2"-20 UNF Rotor Cap Screw (10 ea.)

See ConMet Service Manual for detailed hub service information.

