



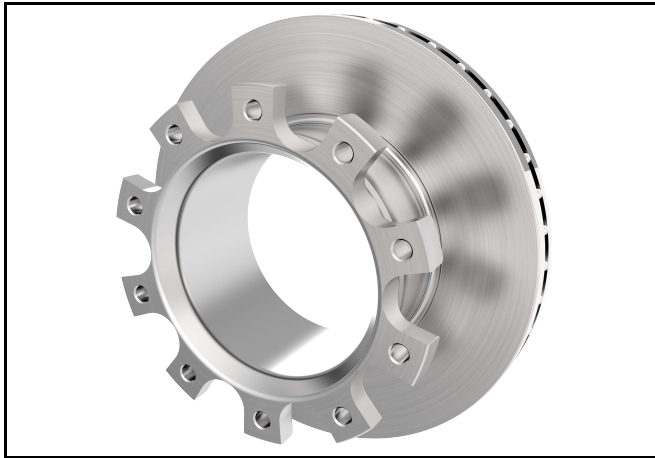
Service Kit Part Number 10020682
ConMet U-Shaped Rotor 10020109
Rotor Minimum Thickness 1.46" (37mm)

DISC BRAKE ROTOR REPLACEMENT

NOTE

Install the brake rotor using only the hardware provided in the kit.

1. Clean the mounting surfaces on the hub and place the disc brake rotor onto the hub. Install the disc brake rotor using the hardware provided in the brake rotor kit.
2. Install and torque the rotor capscrews in a star pattern to 200 ft-lbs.



ConMet 10020109 U-Shaped Rotor

