



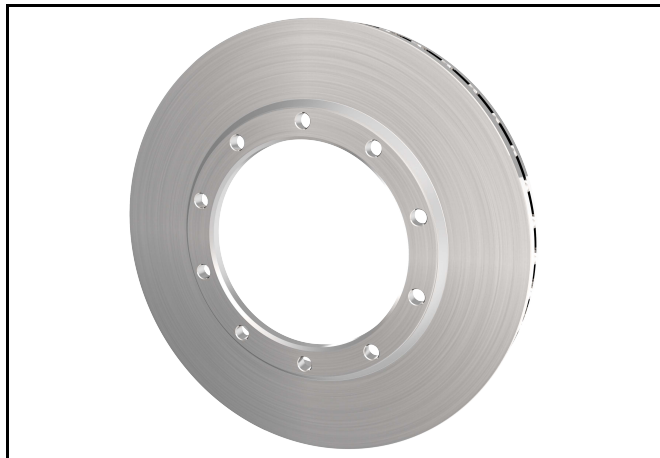
Service Kit Part Number 10020611
ConMet Flat Rotor 10019996
Rotor Minimum Thickness 1.42" (36.1mm)

DISC BRAKE ROTOR REPLACEMENT

NOTE

Install the brake rotor using only the hardware provided in the kit.

1. Clean the rotor mounting surfaces and position the rotor onto the hub.
2. Using the new fasteners included in the kit, thread in all 10 cap screws with a washer on each. Torque in a star pattern to 110 ft-lbs.



ConMet 10019996 MD Flat Rotor

