



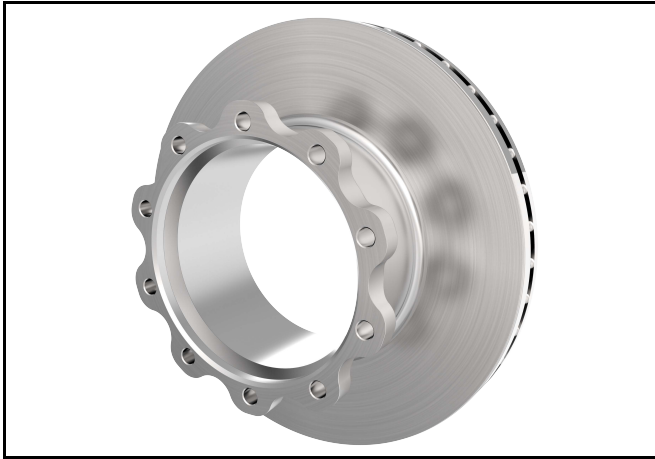
Service Kit Part Number 10082074  
ConMet U-Shaped Rotor 10041006  
Rotor Minimum Thickness 1.46" (37.0 mm)

## DISC BRAKE ROTOR REPLACEMENT

### NOTE

Install the brake rotor using only the hardware provided in the kit.

1. Clean the rotor mounting surfaces and position the rotor onto the hub.
2. Using the new fasteners included in the kit, thread in all 10 cap screws with a washer on each. Torque in a star pattern to 200 ft-lbs.



ConMet 10041006 U-Shaped Rotor

