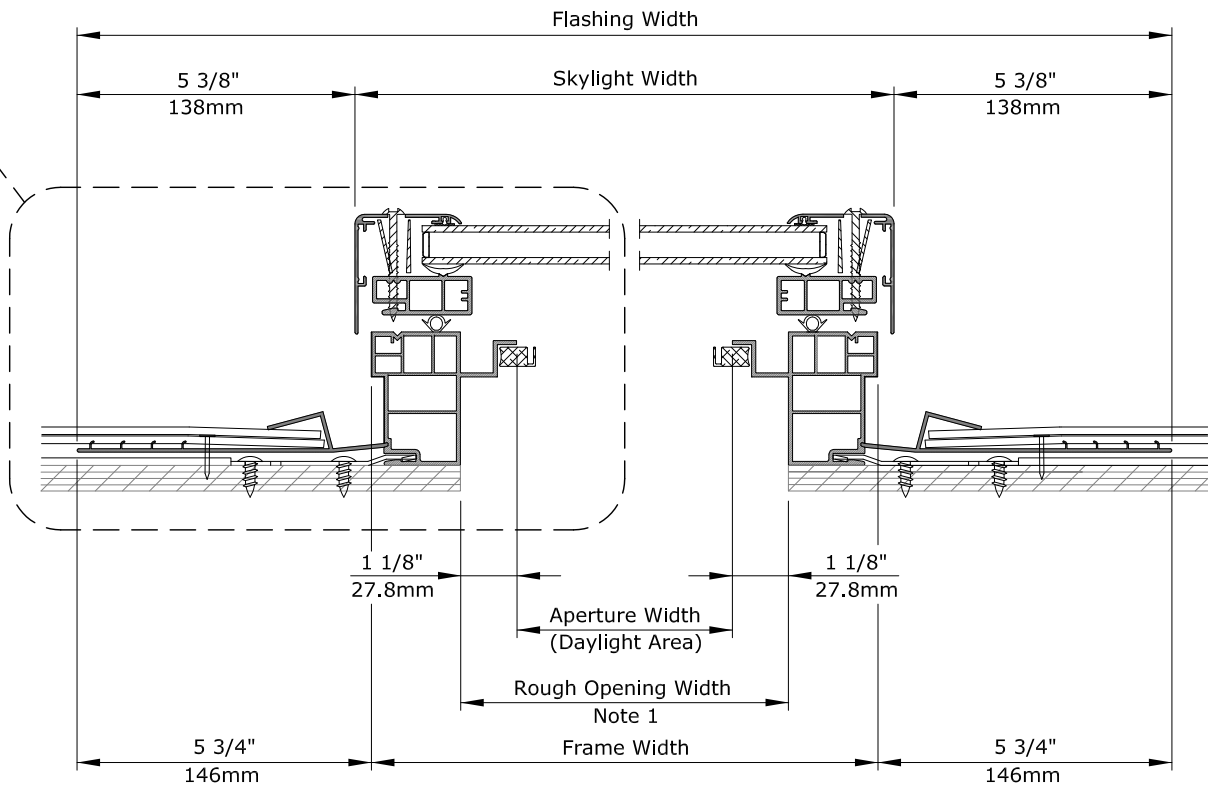
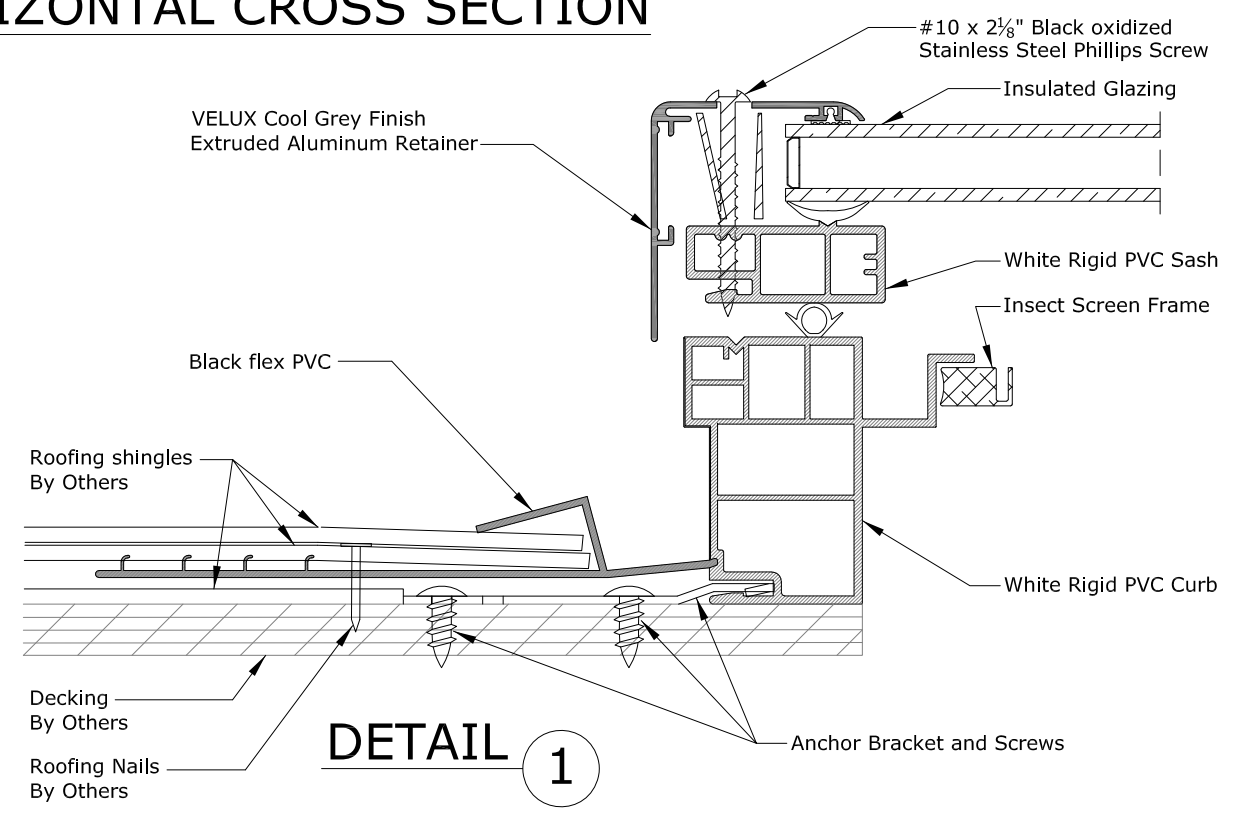


VERTICAL CROSS SECTION



HORIZONTAL CROSS SECTION



NOTES:
 1. The ROUGH OPENING dimension is based on perpendicular interior finish material on all four sides and this dimension will vary depending on the roof construction, the thickness and the design of the interior finish material.
 2. 2" nails fasten flashing to rafters through hole at each top and bottom corner. 1 1/4" nails to fasten flashing to roof deck through pre-punched holes along flashing flange.


PRODUCT DIMENSIONS

METRIC UNITS (MILLIMETERS)												IMPERIAL UNITS (INCHES)											
Size	Frame Width	Rough Opening Width	Aperture Width	Skylight Width	Maximum Flashing Width	Frame Height	Rough Opening Height	Aperture Height	Skylight Height	Maximum Flashing Height	Daylight Area (Sq. Meters)	Size	Frame Width	Rough Opening Width	Aperture Width	Skylight Width	Maximum Flashing Width	Frame Height	Rough Opening Height	Aperture Height	Skylight Height	Maximum Flashing Height	Daylight Area (Sq. Inches)
2222	660.4	571.5	515.9	676.4	952.2	660.4	571.5	488.2	676.4	952.2	0.25	2222	26	22 1/2	20 1/4	26 5/8	37 1/2	26	22 1/2	19 1/4	26 5/8	37 1/2	390
2230	660.4	571.5	515.9	676.4	952.2	863.6	774.7	691.4	879.6	1155.4	0.36	2230	26	22 1/2	20 1/4	26 5/8	37 1/2	34	30 1/2	27 1/4	34 5/8	45 1/2	552
2238	660.4	571.5	515.9	676.4	952.2	1066.8	977.9	894.6	1082.8	1358.6	0.46	2238	26	22 1/2	20 1/4	26 5/8	37 1/2	42	38 1/2	35 1/4	42 5/8	53 1/2	734
2246	660.4	571.5	515.9	676.4	952.2	1270	1181.6	1098.3	1286	1561.8	0.57	2246	26	22 1/2	20 1/4	26 5/8	37 1/2	50	46 1/2	43 1/4	50 5/8	61 1/2	876
2254	660.4	571.5	515.9	676.4	952.2	1473.2	1384.3	1301	1489.2	1765.3	0.67	2254	26	22 1/2	20 1/4	26 5/8	37 1/2	58	54 1/2	51 1/4	42 5/8	69 1/2	1038
3030	863.6	774.7	719.1	879.6	1155.4	863.6	774.7	691.4	879.6	1155.4	0.5	3030	34	30 1/2	28 1/4	34 5/8	45 1/2	34	30 1/2	27 1/4	34 5/8	45 1/2	770
3046	863.6	774.7	719.1	879.6	1155.4	1270	1181.6	1098.3	1286	1561.8	0.79	3046	34	30 1/2	28 1/4	34 5/8	45 1/2	50	46 1/2	43 1/4	50 5/8	61 1/2	1222
3054	863.6	774.7	719.1	879.6	1155.4	1473.2	1384.3	1301	1489.2	1765.3	0.94	3054	34	30 1/2	28 1/4	34 5/8	45 1/2	58	54 1/2	51 1/4	58 5/8	69 1/2	1448
4646	1270	1181.6	1126	1286	1561.8	1270	1181.6	1098.3	1286	1561.8	1.24	4646	50	46 1/2	44 1/4	50 5/8	61 1/2	50	46 1/2	43 1/4	50 5/8	61 1/2	1914

STANDARD GLAZING OPTIONS:

- Laminated LowE3 (04)
- White Laminated LowE3 (08)

*Tempered Exterior Pane used with all options



Sky-Global Product Management

VELUX
 1418 Evans Pond Road
 Greenwood, SC 29649
 1-800-88-VELUX
 www.VELUXUSA.com

EVMS Solar Self-Flashed Deck Mount Venting Skylight