

# Tandem Unit Skylights

## Curb-mount fixed acrylic dome tandem unit system

Wasco's Tandem Unit System (CTMD) offers virtually unlimited design possibilities for a fully customized configuration.

The CTMD is a thermalized skylight system that allows domes or dome assemblies to be combined side by side in a single frame. Domes are separated by a structural purlin and are available single or double glazed with domed or pyramid shapes.

- Widths up to 8' and unlimited lengths
- For flat roof applications
- Curb mount – for use on minimum 1½" thick site-built or prefabricated curbs
- Extruded aluminum curb frame with integral condensation gutter and counter-flashing downward leg
- Maximum dome sizes of 9898 (95½" outside dimension of curb)
- Equal purlin spacing (equal dome sizes)
- Maximum unsupported purlin width of 5' @ 30 psf positive loading. Structural support required for 5' and above @ 30 psf positive loading, up to 8' widths
- Units ship assembled and glazed in sections up to 19' 6"

### Glazing Options

Single Dome:

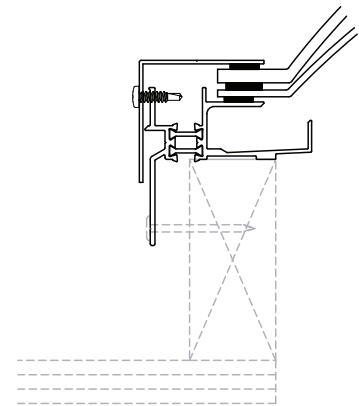
- Domed or pyramid shapes
- Glazing options - clear, bronze, or white

Double Dome:

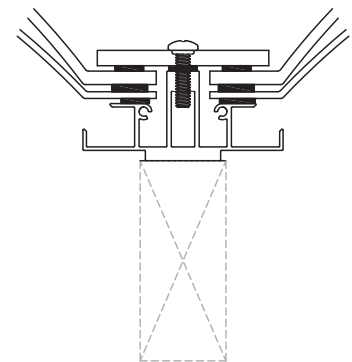
- Domed or pyramid outer glazing shapes
- Outer glazing options - clear, bronze, white, or Satin Sky (limited sizes)
- Inner glazing options - clear or white

### Retainer Finish Options

- Mill (standard)
- Anodized, Kynar 500, baked enamel



Sill Section



Rafter Section



In addition to selecting the correct skylight for the application, VELUX recommends that the customer consider protecting all skylight openings and skylights with one or more of the fall protection accessories.