

Circular Unit Skylights

Double or Triple Dome Curb Mount Units

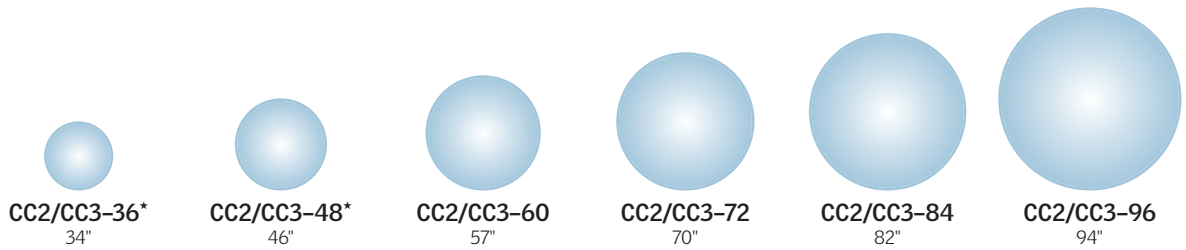
- Vinyl curb with a rolled aluminum retainer
- No weep holes – reduces condensation and increases thermal performance
- Tested to compliance with AAMA\WDMA\CSA\101\I.S.2\A440 as required by the International Building Code



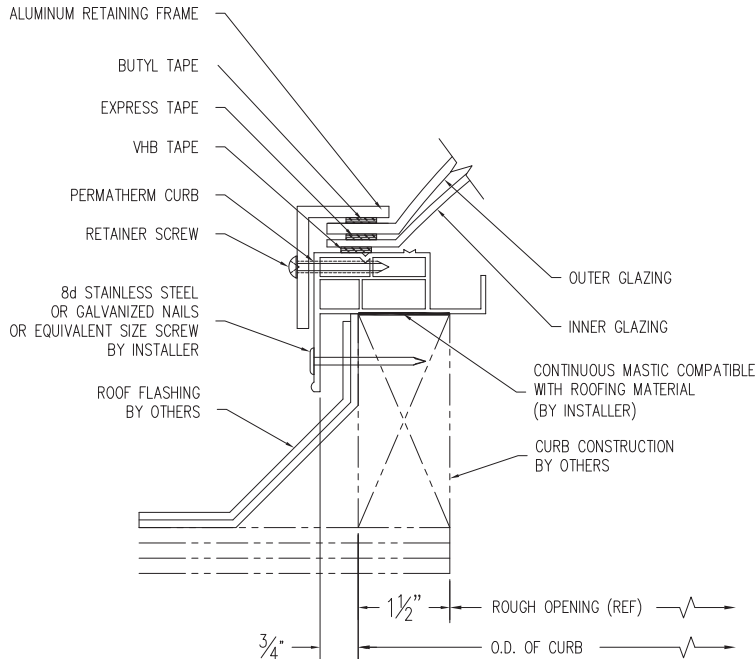
Standard Sizes

Custom sizes not available.

Model:
Outside Dimension of Curb:



*Florida Product Approved for non-impact (FL14417-19) with a design pressure +/- 100 PSF.



Glazing:

- Outer: Clear, #2412 Bronze, or #2447 White
- Optional Middle: Clear or White
- Inner: Clear, White, or SatinIce*

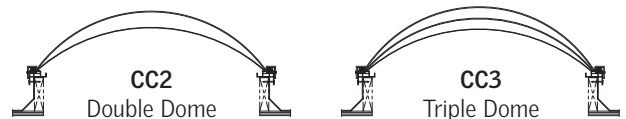
Frame Finish:

- Frame finish is PVC, white interior and bronze exterior.
- Aluminum retainer frame.

Retainer Finish:

- Mill (Standard)
- Anodized, Kynar 500, Baked Enamel
- Copper Clad

* SatinIce glazing available in 60" or less.



In addition to selecting the correct skylight for the application, VELUX recommends that the customer consider protecting all skylight openings and skylights with one or more of the fall protection accessories.