

# VELUX TGF/TMF

## Technical Product Data Sheet

### Description

- TGF/TMF Sun Tunnel with low-profile (TGF) or pitched (TMF) metal flashing that mounts to the roof deck. Flexible tubing with highly reflective inner surface. Available in 14" diameter or 22" diameter for TGF only, with acrylic or polycarbonate impact dome.

### Installation

- Designated top, bottom, or sides for installation in one direction.
- 14 degrees to 60 degrees, use standard installation procedure.

### Flashings

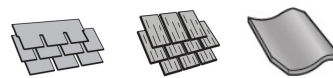
- **ZTM** - Engineered flashing for deck mount with tile (over 3/4") roofing material for roof pitch from 14-60 degrees. For TMF only.

### Interior Accessories

- Decorative Diffusers **ZTB** are available in Micro Fresnel, Triple Wave, Brushed Metal, Prismatic, Bubbles, and Natural Light.
- Universal Electric Light Kit **ZTL**
- Energy Kit **ZTC**
- Exterior Fire Band **ZZZ 192**
- Vapor Barrier **ZTY**

### Type Sign

- Example: TGF 014 000G 01BM05
- Label located on intermediate ring under dome.



### Warranty

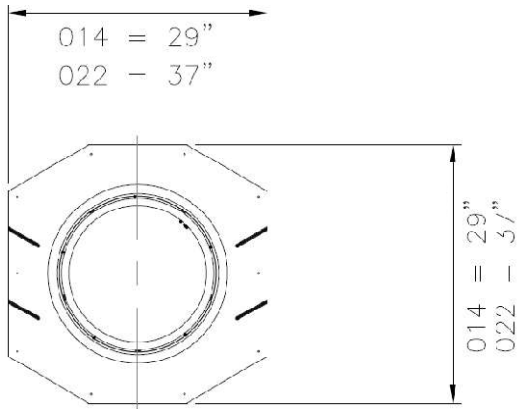
- **Sun Tunnel Skylight** – 10 years from the date of purchase; VELUX warrants that the skylight will be free from defects in material and workmanship.
- **Acrylic Dome** - The yellowness index ("YI") on clear acrylic Sun Tunnel® Skylight domes shall be less than 4.0 for a period of (5) five years from the date of purchase and less than 10.0 for a period of (10) ten years from the date of purchase as measured with a Hunter Lab's spectroradiometer according to ASTM D 1925.
- **Polycarbonate Dome** - The yellowness index ("YI") on clear polycarbonate Sun Tunnel® Skylight domes shall be less than 4.0 for a period of (5) five years from the date of purchase as measured with a Hunter Lab's spectroradiometer according to ASTM D 1925.
- **Accessories and Electrical Components** – 5 years from the date of purchase; VELUX warrants Velux accessories (diffusers, electric control systems, solar powered lights, energy kits and diffusion enhancer) will be free from defects in material and workmanship.

### Standard Sizes

- 14", \*22"

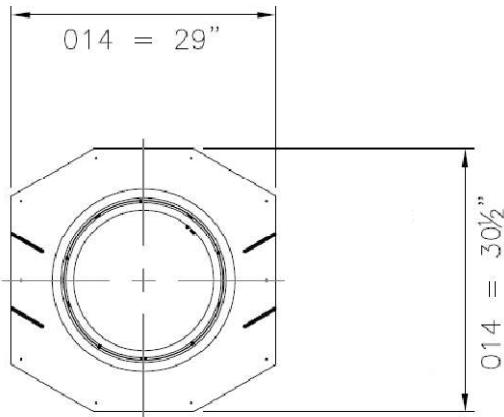
\*TGF only

### Sizes



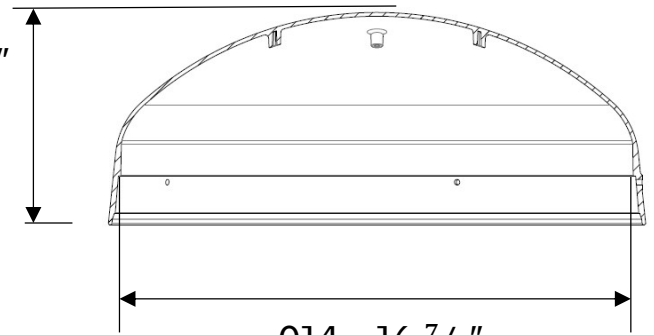
**TGF**

Size	Max Tunnel Length	Min Tunnel Length
14"	8'	12"
22"	12'	12"



**TMF**

014 - 6 1/8"  
022 - 8 1/2"

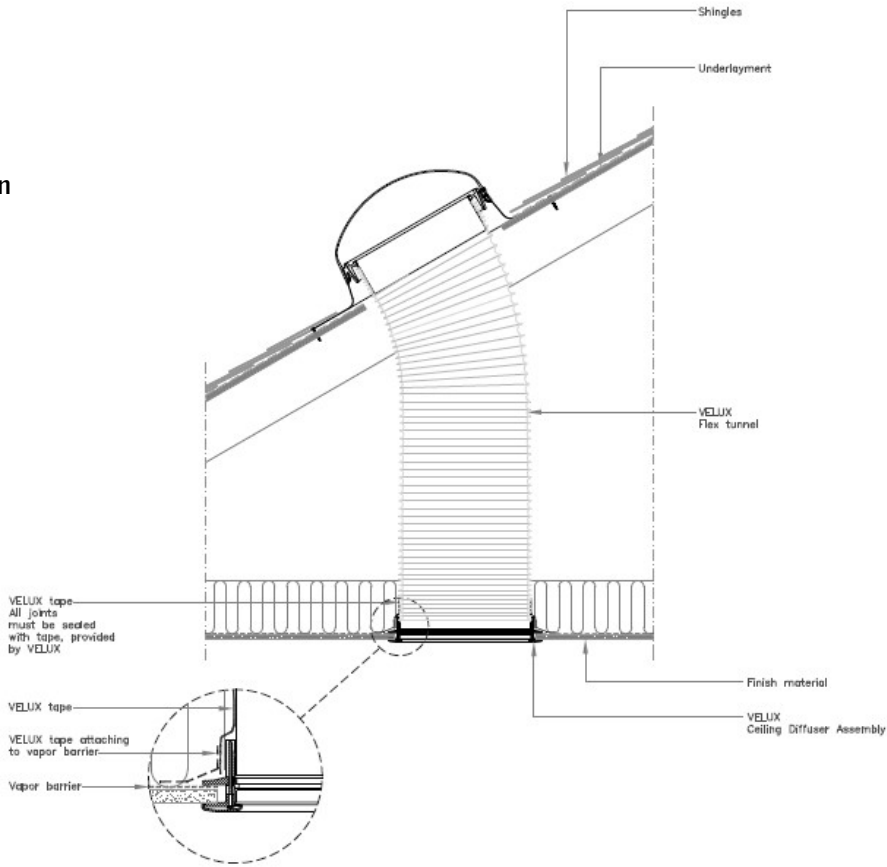


014 - 16 7/8"  
022 - 25"

### Certification

Glazing	NFRC U-factor	NFRC SHGC	NFRC Vt	Hallmark 426-H-705	Fla Prod Approval	HVHZ
TGF/TMF 14"	0.44	0.30	0.22	✓	✓	
TGF/TMF 14" With Energy Kit	0.34	0.22	0.16	✓	✓	
TGF 22"	0.42	0.35	0.32		✓	
TGF 22" With Energy Kit	0.27	0.30	0.28		✓	

**Cross Section**



**TGF**

