



VELUX TZR

Technical Product Data Sheet

Description

- TZR Sun Tunnel with curb mount lens that mounts to site-built curb. Rigid aluminum tubing with highly reflective inner surface. Available in or 14" diameter only with diamond wire wildfire or laminated hurricane resistant impact glass. TZRL includes ECL step flashing kit. TZRQ is self flashed with extruded aluminum flashing.

Installation

- No designated top, bottom, or sides for installation in both directions.
- 0 degrees to 60 degrees, use standard installation procedure.

Flashings

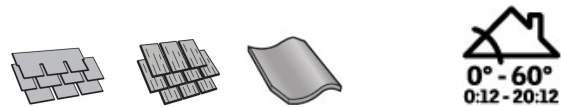
- **ECL*** - Engineered neutral gray flashing for single installation with thin roofing material ($\frac{1}{2}$ " max) for roof pitch above 10-60 degrees.
- **ECW** - Engineered flashing for curb mount with tile (over $\frac{3}{4}$ ") roofing material for roof pitch from 14-60 degrees.

Interior Accessories

- Decorative Diffusers **ZTB** are available in Micro Fresnel, Triple Wave, Brushed Metal, Prismatic, Bubbles, and Natural Light.
- Solar Night Light **ZTZ 213**
- Daylight Controller **ZTP** – Motorized variable positioning daylight controller.
- Universal Electric Light Kit **ZTL**
- Diffusion Enhancer **ZTZ 209**
- Energy Kit **ZTC**
- Vapor Barrier **ZTY**

Type Sign

- Example: TZR 014 2A00 01BN1A
- Label etched on side of lens frame.



Standard Sizes

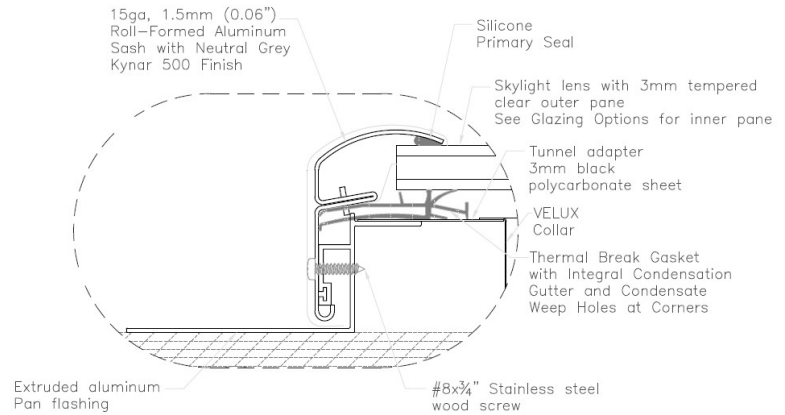
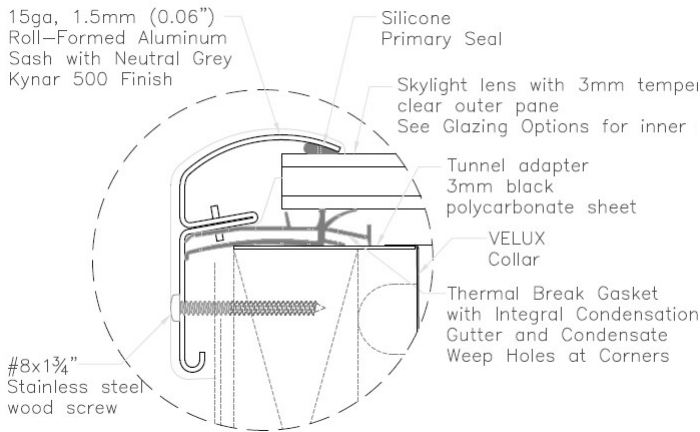
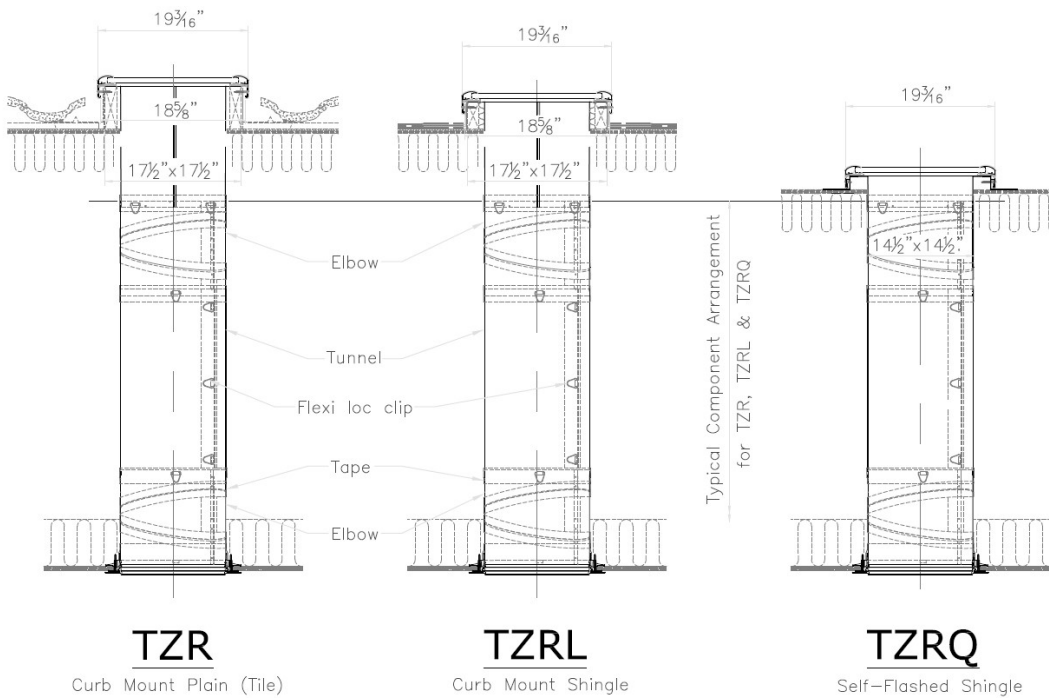
- 14" only

Warranty

- **Skylight** – 10 years from the date of purchase; VELUX warrants that the skylight will be free from defects in material and workmanship.
- **Reflective tunnel**– 20 years from the date of purchase; The reflection-enhanced material in the Sun Tunnel® Skylight shall be free from defects in material and workmanship and correspond to the agreed materials properties. The material under normal interior environmental conditions will not splinter, yellow, darken, peel-off, blister, crack, or develop any other surface deterioration reducing the reflectivity when used as instructed in the relevant.
- **Accessories and Electrical Components** – 5 years from the date of purchase; VELUX warrants Velux shades and control systems will be free from defects in material and workmanship.

Size	Max Tunnel Length	Min Tunnel Length
14"	30'	12"

* Included with TZRL



Certification

Glazing	NFRC U-factor	NFRC SHGC	NFRC Vt	Hallmark 426-H-701	Fla Prod Approval	HVHZ
TZR/TZRL/TZRQ 014 2A00 (wildfire)	0.45	0.39	0.38	✓	✓	
TZR/TZRL/TZRQ 014 1A00 (impact)	0.43	0.39	0.36	✓	✓	✓