

FS Fixed Skylight

Technical Product Data Sheet



Description

- FS Fixed Deck Mount Skylight that mounts to the roof deck. Fixed skylight, provided with various glazings, is manufactured with a white finished (optional stain grade) pine frame/sash, a neutral gray aluminum profile (optional copper) and an insulated glass unit.

Installation

- Designated top, bottom, and sides for installation in one direction.
- Single unit applications or combination flashing for multiple skylight applications, over/under, side by side.
- 14 degrees to 85 degrees, use standard installation procedure.

Flashings

- EDL – Engineered neutral gray flashing for single installation with thin roofing material ($\frac{1}{2}$ " max) for roof pitches from 14-85 degrees.
- EDW – Engineered neutral gray flashing for single installation with tile (over $\frac{3}{4}$ ") roofing material for roof pitches from 14-85 degrees.
- EDM - Engineered neutral gray flashing for single installation with metal roof ($1\frac{1}{2}$ "- $1\frac{3}{4}$ " max profile) for roof pitches from 14-85 degrees.
- EKL- Engineered neutral gray flashing for multiple skylights with thin roofing material (Max. $\frac{5}{16}$ ") on roof pitches from 14 to 85 degrees.
- EKW – Engineered neutral gray flashing for multiple skylights with high profile roofing material (Max. $3\frac{1}{2}$ ") on roof pitches from 15 to 85 degrees.
- Applications less than 14-degree roof pitch - flashing provided by others.

Interior Accessories

- FSCH - Solar powered Room darkening - double pleated shade.
- FSLH - Solar powered Light filtering - single pleated shade.

Type Sign

- Example: FS C01 0004E 01BM05
- Located on bottom of interior frame.



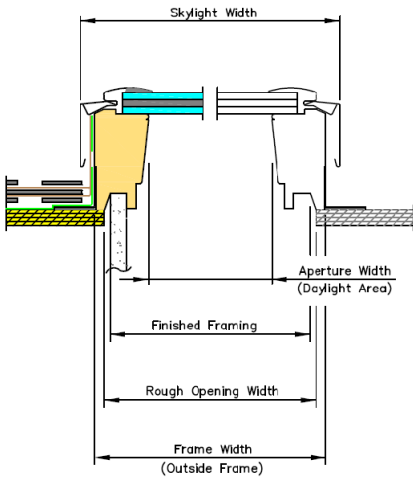
Standard Sizes

- A06, C01, C04, C06, C08, C12, D26, D06, M02, M04, M06, M08, S01, S06
- No custom sizes available.

Warranty

- **Installation** – 10 years from the date of purchase; VELUX No Leak Warranty warrants skylight installation. Must be installed with VELUX flashings and included adhesive underlayment.
- **Skylight** – 10 years from the date of purchase; VELUX warrants that the skylight will be free from defects in material and workmanship.
- **Glass Seal** – 20 years from the date of purchase; VELUX warrants that the insulated glass pane will not develop a material obstruction of vision due to failure of the glass seal.
- **Hail Warranty** – 10 years from the date of purchase; VELUX warrants only laminated glass panes against hail breakage.
- **Accessories and Electrical Components** – 5 years from the date of purchase; VELUX warrants Velux shades and control systems will be free from defects in material and workmanship.

Cross Section

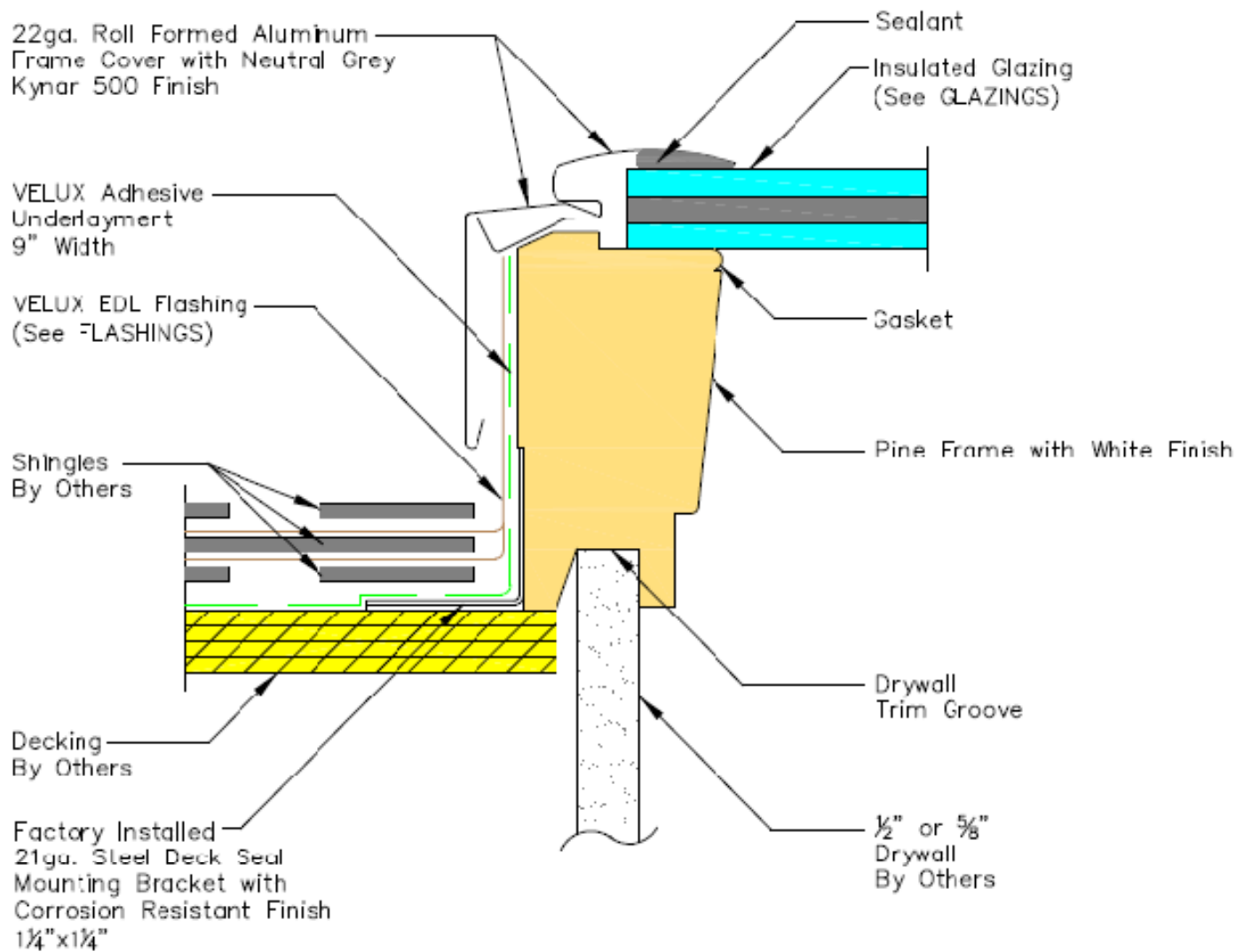


Size	Rough Opening Width	Frame Width	Frame Aperture Width	Skylight Width	Rough Opening Height	Frame Height	Frame Aperture Height	Skylight Height	Daylight Area (Sq. Feet)
A06	14 1/2	15 1/4	11 15/16	16 1/8	45 3/4	46 1/4	42 15/16	47 1/4	3.56
C01	21	21 1/2	18 3/16	22 3/8	26 7/8	27 3/8	24 1/16	28 3/8	3.03
C04	21	21 1/2	18 3/16	22 3/8	37 7/8	38 3/8	35 1/16	39 3/8	4.43
C06	21	21 1/2	18 3/16	22 3/8	45 3/4	46 1/4	42 15/16	47 1/4	5.43
C08	21	21 1/2	18 3/16	22 3/8	54 7/16	54 15/16	51 5/8	55 15/16	6.52
C12	21	21 1/2	18 3/16	22 3/8	70 1/4	70 3/4	67 7/16	71 3/4	8.52
D26	22 1/2	23 1/2	19 15/16	24 1/16	22 15/16	23 7/16	20 1/8	24 7/16	2.78
D06	22 1/2	23 1/2	19 15/16	24 1/16	45 3/4	46 1/4	42 15/16	47 1/4	5.94
M02	30 1/16	30 9/16	27 1/4	31 7/16	30	30 1/2	27 3/16	31 1/2	5.15
M04	30 1/16	30 9/16	27 1/4	31 7/16	37 7/8	38 3/8	35 1/16	39 3/8	6.64
M06	30 1/16	30 9/16	27 1/4	31 7/16	45 3/4	46 1/4	42 15/16	47 1/4	8.13
M08	30 1/16	30 9/16	27 1/4	31 7/16	54 7/16	54 15/16	51 5/8	55 15/16	9.77
S01	44 1/4	44 3/4	41 7/16	45 9/16	26 7/8	27 3/8	24 1/16	28 3/8	6.92
S06	44 1/4	44 3/4	41 7/16	45 9/16	45 3/4	46 1/4	42 15/16	47 1/4	12.36

Glazings and Certification

Glazing	NFRC U-factor	NFRC SHGC	NFRC Vt	Hallmark 426-H-672	IAPMO-ES ER 199	Fla Prod Approval 13303	HVHZ	TDI
04 Laminated -2.3 mm laminated (0.76 mm interlayer) with tempered Low E366 outer pane.	0.44	0.26	0.60	√	√	√		SK-03
06 Impact – 2.3 mm laminated (2.28 mm interlayer) with tempered Low E366 outer pane for hurricane areas.	0.41	0.26	0.60	√	√	√		SK-14
08 White laminated -2.3 mm Laminated (0.76mm white interlayer) with tempered Low E366 outer pane.	0.44	0.25	0.42	√	√	√		SK-03
10 Snowload - 3 mm laminated (0.76 mm interlayer) with tempered Low E366 outer pane.	0.48	0.27	0.45	√				

Consult with Customer Service for special glazing options.



Corner keys made of ASA Luran in neutral grey finish.