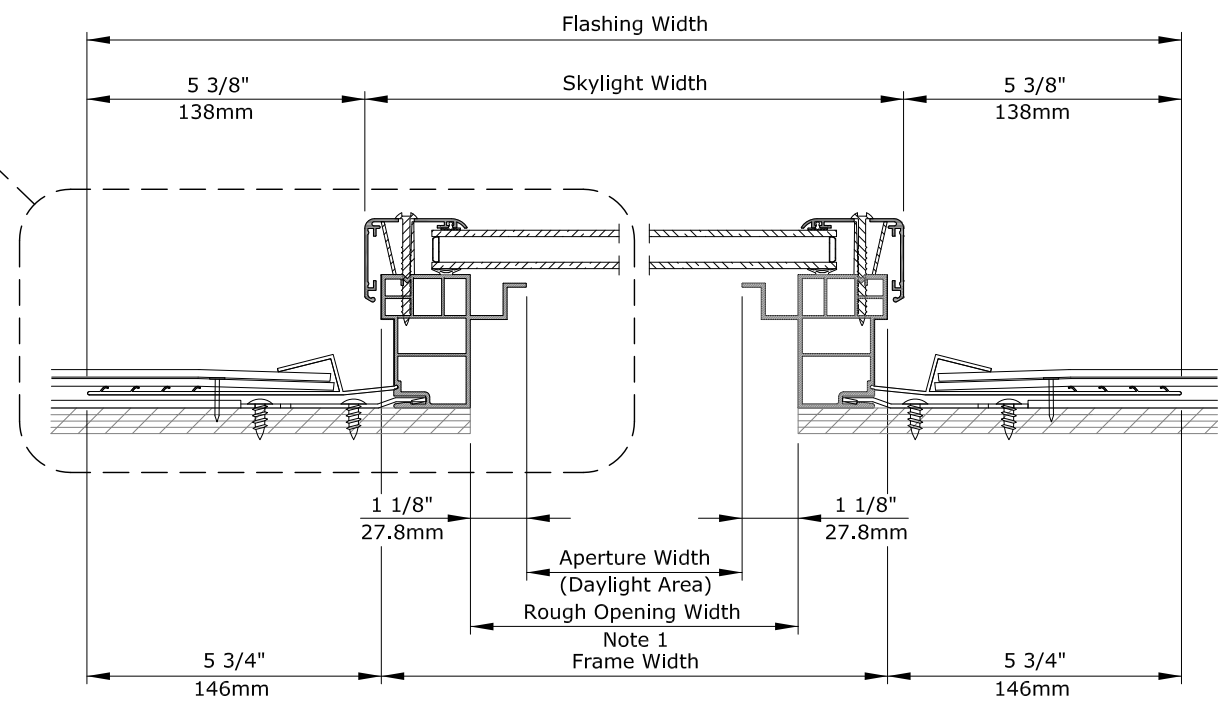
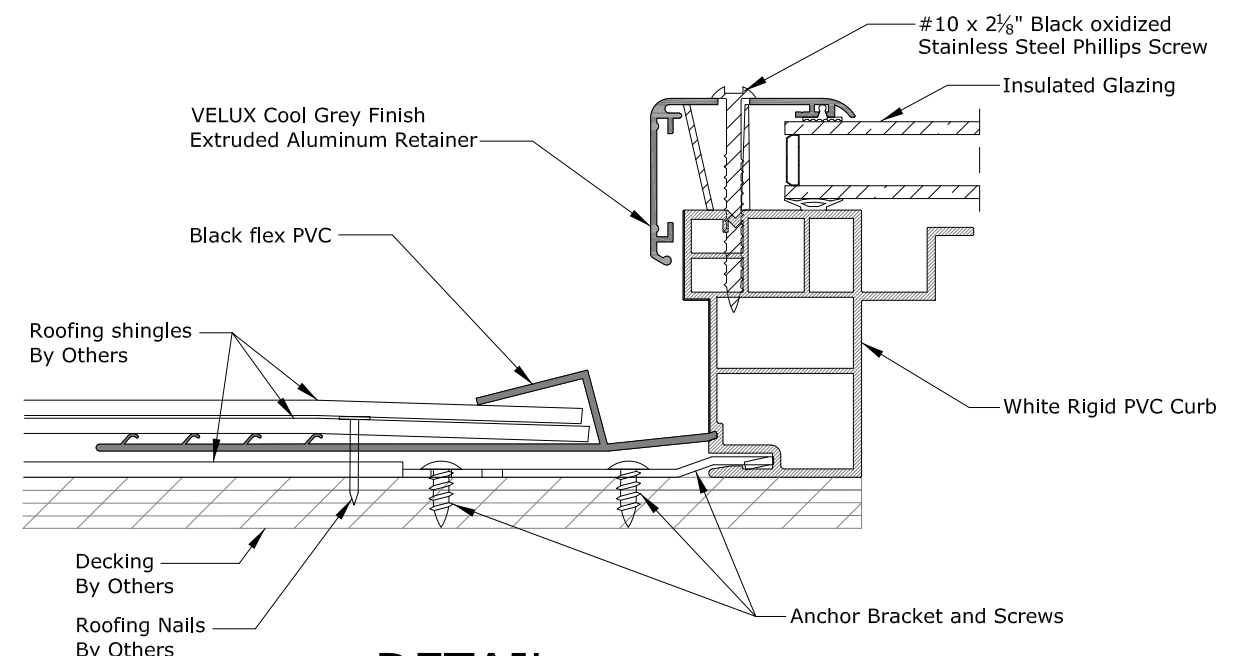


**VERTICAL CROSS SECTION**

SEE DETAIL 1



**HORIZONTAL CROSS SECTION**



**DETAIL 1**

- NOTES:**
1. The ROUGH OPENING dimension is based on perpendicular interior finish material on all four sides and this dimension will vary depending on the roof construction, the thickness and the design of the interior finish material.
  2. 2" nails fasten flashing to rafters through hole at each top and bottom corner. 1 1/4" nails to fasten flashing to roof deck through pre-punched holes along flashing flange.

**PRODUCT DIMENSIONS**

| METRIC UNITS (MILLIMETERS) |             |                     |                |                |                        |              |                      |                 |                 |                         |                            | IMPERIAL UNITS (INCHES) |             |                     |                |                |                        |              |                      |                 |                 |                         |                            |
|----------------------------|-------------|---------------------|----------------|----------------|------------------------|--------------|----------------------|-----------------|-----------------|-------------------------|----------------------------|-------------------------|-------------|---------------------|----------------|----------------|------------------------|--------------|----------------------|-----------------|-----------------|-------------------------|----------------------------|
| Size                       | Frame Width | Rough Opening Width | Aperture Width | Skylight Width | Maximum Flashing Width | Frame Height | Rough Opening Height | Aperture Height | Skylight Height | Maximum Flashing Height | Daylight Area (Sq. Meters) | Size                    | Frame Width | Rough Opening Width | Aperture Width | Skylight Width | Maximum Flashing Width | Frame Height | Rough Opening Height | Aperture Height | Skylight Height | Maximum Flashing Height | Daylight Area (Sq. Inches) |
| 2222                       | 660.4       | 571.5               | 515.9          | 676.4          | 952.2                  | 660.4        | 571.5                | 515.9           | 676.4           | 952.2                   | 0.27                       | 2222                    | 26          | 22 1/2              | 20 1/4         | 26 5/8         | 37 1/2                 | 26           | 22 1/2               | 20 1/4          | 26 5/8          | 37 1/2                  | 410                        |
| 2230                       | 660.4       | 571.5               | 515.9          | 676.4          | 952.2                  | 863.6        | 774.7                | 719.1           | 879.6           | 1155.4                  | 0.37                       | 2230                    | 26          | 22 1/2              | 20 1/4         | 26 5/8         | 37 1/2                 | 34           | 30 1/2               | 28 1/4          | 34 5/8          | 45 1/2                  | 572                        |
| 2238                       | 660.4       | 571.5               | 515.9          | 676.4          | 952.2                  | 1066.8       | 977.9                | 922.3           | 1082.8          | 1358.6                  | 0.48                       | 2238                    | 26          | 22 1/2              | 20 1/4         | 26 5/8         | 37 1/2                 | 42           | 38 1/2               | 36 1/4          | 42 5/8          | 53 1/2                  | 734                        |
| 2246                       | 660.4       | 571.5               | 515.9          | 676.4          | 952.2                  | 1270         | 1181.6               | 1126            | 1286            | 1561.8                  | 0.58                       | 2246                    | 26          | 22 1/2              | 20 1/4         | 26 5/8         | 37 1/2                 | 50           | 46 1/2               | 44 1/4          | 50 5/8          | 61 1/2                  | 896                        |
| 2254                       | 660.4       | 571.5               | 515.9          | 676.4          | 952.2                  | 1473.2       | 1384.3               | 1328.7          | 1489.2          | 1765.3                  | 0.68                       | 2254                    | 26          | 22 1/2              | 20 1/4         | 26 5/8         | 37 1/2                 | 58           | 54 1/2               | 52 1/4          | 42 5/8          | 69 1/2                  | 1058                       |
| 3030                       | 863.6       | 774.7               | 719.1          | 879.6          | 1155.4                 | 863.6        | 774.7                | 719.1           | 879.6           | 1155.4                  | 0.52                       | 3030                    | 34          | 30 1/2              | 28 1/4         | 34 5/8         | 45 1/2                 | 34           | 30 1/2               | 28 1/4          | 34 5/8          | 45 1/2                  | 798                        |
| 3046                       | 863.6       | 774.7               | 719.1          | 879.6          | 1155.4                 | 1270         | 1181.6               | 1126            | 1286            | 1561.8                  | 0.81                       | 3046                    | 34          | 30 1/2              | 28 1/4         | 34 5/8         | 45 1/2                 | 50           | 46 1/2               | 44 1/4          | 50 5/8          | 61 1/2                  | 1250                       |
| 3054                       | 863.6       | 774.7               | 719.1          | 879.6          | 1155.4                 | 1473.2       | 1384.3               | 1328.7          | 1489.2          | 1765.3                  | 0.95                       | 3054                    | 34          | 30 1/2              | 28 1/4         | 34 5/8         | 45 1/2                 | 58           | 54 1/2               | 52 1/4          | 58 5/8          | 69 1/2                  | 1476                       |
| 4646                       | 1270        | 1181.6              | 1126           | 1286           | 1561.8                 | 1270         | 1181.6               | 1126            | 1286            | 1561.8                  | 1.27                       | 4646                    | 50          | 46 1/2              | 44 1/4         | 50 5/8         | 61 1/2                 | 50           | 46 1/2               | 44 1/4          | 50 5/8          | 61 1/2                  | 1958                       |

- STANDARD GLAZING OPTIONS:**
- Laminated LowE3 (04)
  - Tempered LowE3 (05)
  - Impact (06)
- \*Tempered Exterior Pane used with all options



VELUX  
1418 Evans Pond Road  
Greenwood, SC 29649  
1-800-88-VELUX  
www.VELUXUSA.com

**EF Self-Flushed Deck Mount Fixed Skylight**