

# AEROCOMPACT®

# COMPACT PITCH XT & XM-P

## CHECKLIST

REQUEST (QUOTE)    ORDER

DATE \_\_\_\_\_

PROJECT NAME \_\_\_\_\_

CUSTOMER \_\_\_\_\_

No., Street: \_\_\_\_\_

Contact person: \_\_\_\_\_

ZIP Code: \_\_\_\_\_ City: \_\_\_\_\_

No., Street: \_\_\_\_\_

Country: \_\_\_\_\_

ZIP Code: \_\_\_\_\_ City: \_\_\_\_\_

DELIVERY, REQU. WEEK    PICKUP

Phone: \_\_\_\_\_

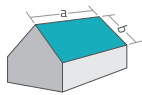
Delivery to project address

Delivery to customer

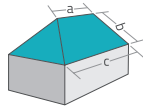
E-mail: \_\_\_\_\_

### ROOF SHAPE AND DIMENSIONS

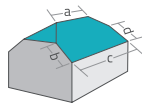
Ridge roof



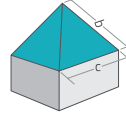
Hipped roof



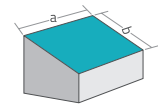
Half-hipped roof



Pavillon roof



Shed roof



Other → Please provide drawing with all relevant dimensions!

Roof height: \_\_\_\_\_ mm

a = \_\_\_\_\_ mm

c = \_\_\_\_\_ mm

Roof inclination: \_\_\_\_\_ °

b = \_\_\_\_\_ mm

d = \_\_\_\_\_ mm

Please indicate interference areas separately! (drawing, coordinates, roof plan).



**PROJECT SITE**

Geographical latitude: \_\_\_\_\_ °

Geographical longitude: \_\_\_\_\_ °

Elevation asl: \_\_\_\_\_ m

Exposed location

To be determined according to local codes

**TERRAIN CATEGORY**

**0** Coastal area, open to the sea

**I** Open land, hardly any obstacles

**II** Cultivated land, few obstacles

**III** Suburb, commercial area, forest

**IV** City center

**PV-MODULE LAYOUT**

Full layout  Partial layout

Targeted power: \_\_\_\_\_ kWp

Preferred array size: \_\_\_\_\_ rows, \_\_\_\_\_ columns

Single layer rail  Double layer rail (cross bracing)

Modules portrait mode  Modules landscape mode

**PV MODULE SPECIFICATIONS**

Manufacturer: \_\_\_\_\_

Module type: \_\_\_\_\_ Wattage: \_\_\_\_\_ Wp

Length: \_\_\_\_\_ mm Width: \_\_\_\_\_ mm

Frame thickness: \_\_\_\_\_ mm Weight: \_\_\_\_\_ kg

**ROOFING**

Tile roof  Slate roof  Plain tile  Portuguese tiles

Monk-nun-tiles  Other roofing

Manufacturer: \_\_\_\_\_ Tile type: \_\_\_\_\_

Tile thickness: \_\_\_\_\_ mm

Concrete substructure  Wood rafter

Rafter height o: \_\_\_\_\_ mm

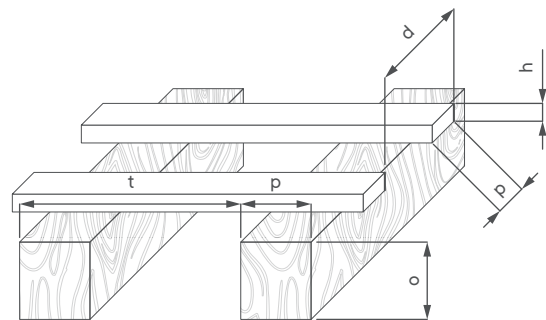
Rafter width p: \_\_\_\_\_ mm

Rafter spacing t: \_\_\_\_\_ mm

Battening distance d: \_\_\_\_\_ mm

Batten height h: \_\_\_\_\_ mm

First rafter from verge left after \_\_\_\_\_ mm

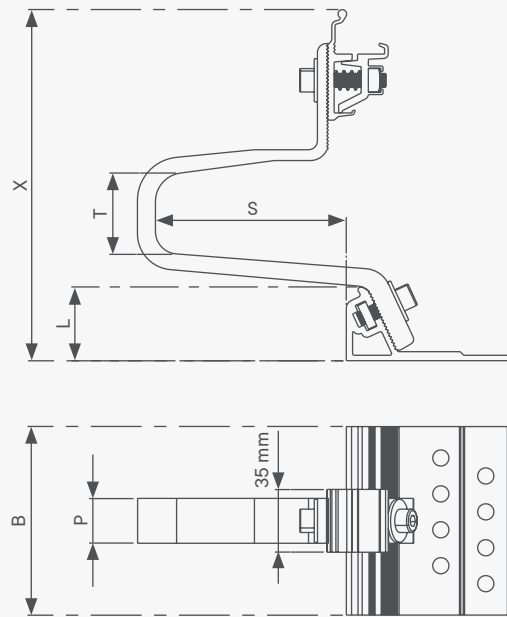
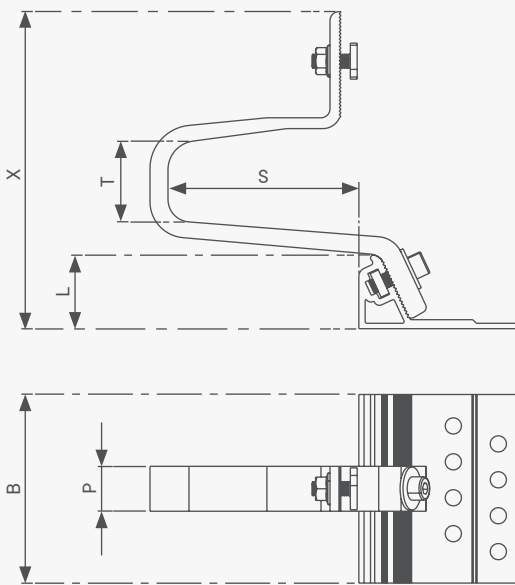


IDENTIFYING THE FASTENER

	XT25	XT25CL	XT35	XT35CL	XT35-VLOW	XT35CL-VLOW	XT40-EL	XT40CL-EL	XT40-Slim	XT40CL-Slim	XT40-Slim-Low	XT40CL-Slim-Low	XTS40CL	XTSXCL
CL*	No	Yes	No	Yes	No	Yes	No	Yes	No	Yes	No	Yes	Yes	Yes
Load cap. [kN]	1,23	1,23	1,73	1,73	1,28	1,28	2,61	2,61	1,95	1,95	1,25	1,25	3,53	3,53
X [mm]	176-189	177-212	176-189	177-212	176-185	172-205	196-209	192-227	166-179	172-207	157-166	163-194	172-207	187-220
T [mm]	45	45	45	45	44	44	61	61	45	45	45	45	41	41
L [mm]	41-54	41-51	41-54	41-53	20, 29	20, 29	41-54	41-53	41-54	41-53	32-41	32-41	41-53	41-53
S [mm]	106-112	106-112	106-112	106-112	118	118	120-126	120-126	123-129	123-129	121-126	121-126	120-126	120-126
B [mm]	105	105	105	105	105	105	105	105	105	105	105	105	105	105
P [mm]	25	25	35	35	35	35	40	40	40	40	40	40	40	40
Selection	<input type="radio"/>	<input type="radio"/>	<input type="radio"/>	<input type="radio"/>	<input type="radio"/>	<input type="radio"/>	<input type="radio"/>	<input type="radio"/>	<input type="radio"/>	<input type="radio"/>	<input type="radio"/>	<input type="radio"/>	<input type="radio"/>	<input type="radio"/>

XT Roof hook

with \* CClick fast fixation



OPTION 1

Selection XT Roof hook

OPTION 2

Selection XM-P sheet metal replacement tile

	Tile type	Selection
XM-P003	Braas Frankfurter	<input type="radio"/>
XM-P009	Nelskamp Finkenberger	<input type="radio"/>
XM-P011	Braas Taunus	<input type="radio"/>
XM-P016	Braas Harzer 7 (Big)	<input type="radio"/>
XM-P022	Braas Harzer	<input type="radio"/>
XM-P023	Braas Frankfurter Big	<input type="radio"/>
XM-P025	Braas Tegalit	<input type="radio"/>
XM-P026	Tondach Biberfalz	<input type="radio"/>
XM-P047	Tondach Mulde	<input type="radio"/>
XM-P095	Nelskamp Nibra F10 Ü	<input type="radio"/>
XM-P100	Nelskamp Reform R13 S	<input type="radio"/>

	Tile type	Selection
XM-P102	Braas Rubin 15 V	<input type="radio"/>
XM-P108	Braas Rubin 13 V	<input type="radio"/>
XM-P109	Braas Donau	<input type="radio"/>
XM-P110	Nelskamp F 12 Ü - Süd	<input type="radio"/>
XM-P119	Nelskamp Nibra F8 1/2	<input type="radio"/>
XM-P126	ZZ Wancor Arteso	<input type="radio"/>
XM-P127	Istighofener LEC	<input type="radio"/>
XM-P136	ZZ Wancor Vauban Falzbiber	<input type="radio"/>
XM-P142	Wienerberger Flachdach A11	<input type="radio"/>
XM-P147	Bramac Donau	<input type="radio"/>