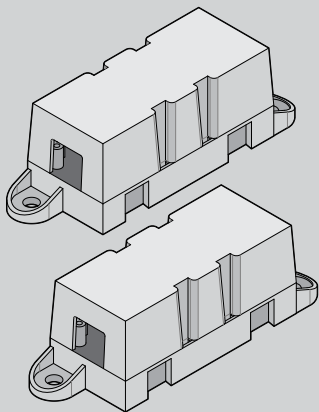
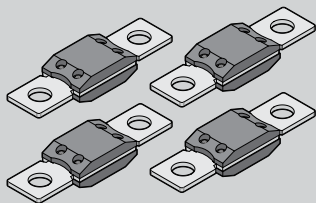


THE POWER OF

REDARC[®]

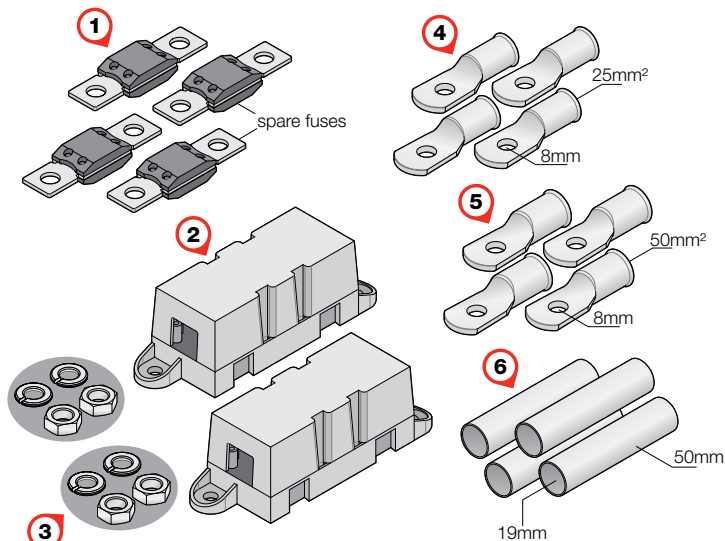
125A MEGA Fuse Kit

FK125



125A MEGA FUSE KIT

The FK125 is designed to provide for a simple, neat fuse installation for dual battery systems. The FK125 is perfect for the BMS12100 auxiliary and start battery connection.



KIT CONTENTS

No.	Part	Quantity
1	125A MEGA Fuse	4
2	Fuse Holder	2
3	Nut and Spring Washer to suit Fuse Holder	4
4	Lug (25 mm ² cable input hole, 8 mm stud hole)	4
5	Lug (50 mm ² cable input hole, 8 mm stud hole)	4
6	Heatshrink	4

The Lugs provided are intended for either a 25 mm² or 50 mm² cable. If using a smaller cable gauge, insert with conductor foldback; if using larger cable gauge, source a larger lug.

LIMITED WARRANTY

For full warranty terms and conditions, visit the Warranty page of the REDARC website. Refer to the web address and contact details applicable to your region.

Australia, New Zealand & Europe

www.redarc.com.au/warranty

REDARC Electronics Pty Ltd
23 Brodie Road (North),
Lonsdale SA 5160
Australia

Australia	+61 8 8322 4848
New Zealand	+64 9 222 1024
UK & Europe	+44 (0)20 3930 8109

North America

www.redarcelectronics.com/warranty

REDARC Corporation
c/o Shallco, Inc.
308 Component Dr.
Smithfield, NC 27577
USA

USA	+1 (704) 247 5150
Canada	+1 (604) 260 5512
Mexico	+52 (558) 526 2898

Design and specifications are subject to change without notice.

Copyright © 2022 REDARC Electronics Pty Ltd. All rights reserved.

REDARC® and THE POWER OF REDARC® are trademarks of REDARC Electronics Pty Ltd.

LUG AND HEATSHRINK ASSEMBLY

Strip the end of the cable back enough to ensure the insulation does not enter the barrel of the Lug when fully inserted.



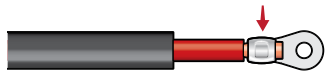
Slide the Heatshrink over the cable.



Insert the stripped wires into the barrel of the Lug.



Crimp the Lug using the correct crimping tool.



Slide the Heatshrink to partially cover the Lug, leaving the Lug tongue exposed.



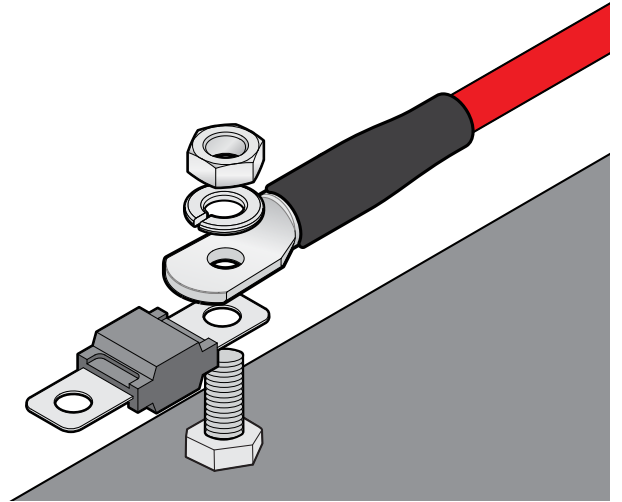
Shrink the Heatshrink.



FUSE KIT ASSEMBLY

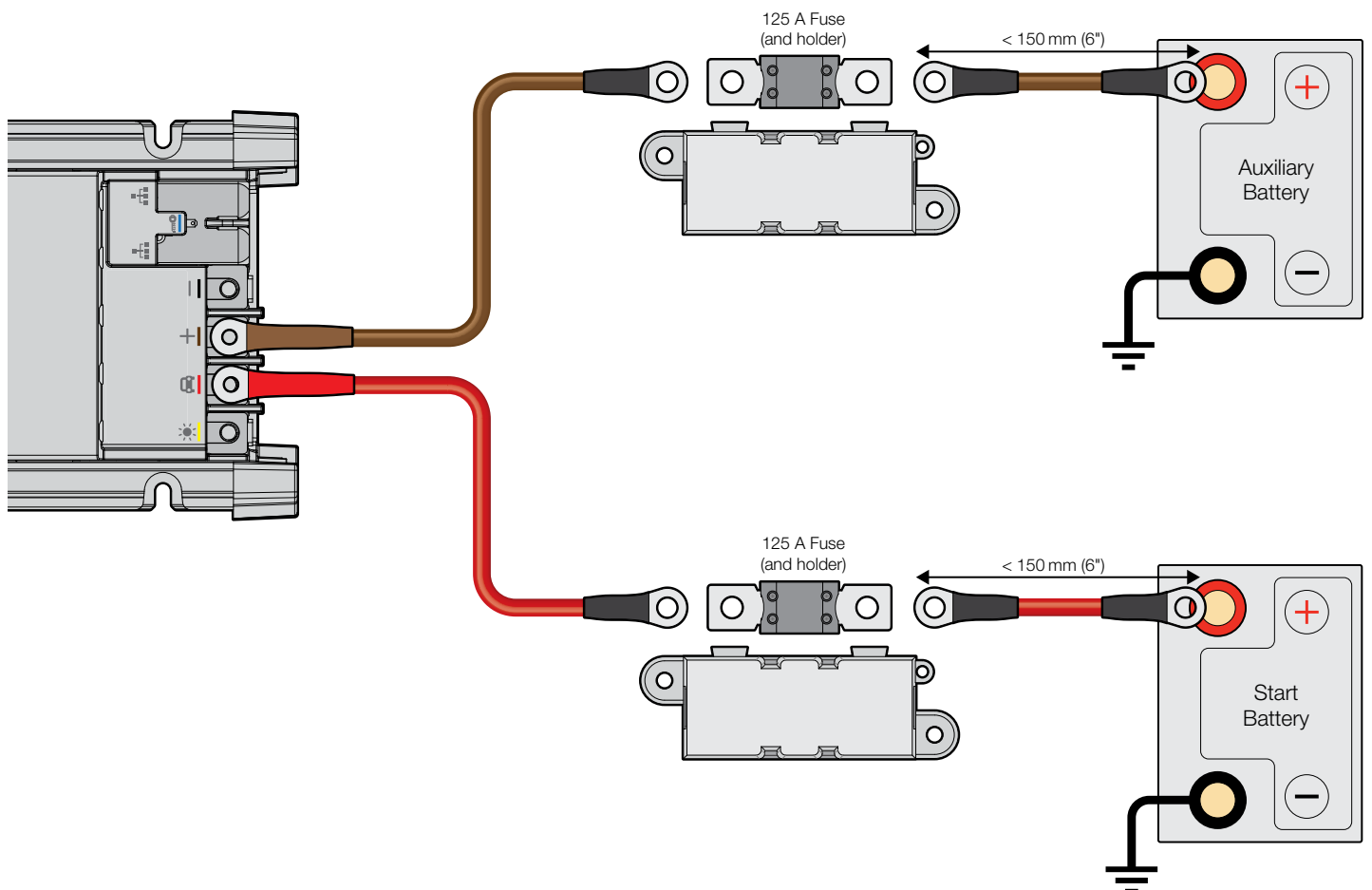
Order of installing Bolt in the Fuse Holder:

1. MEGA Fuse
2. Lug with Heatshrink and cable
3. Spring Washer
4. Nut



BMS12100 INSTALLATION

Auxiliary and Start Battery Connection





CONTACT

Tech Support 1300 REDARC

Head Office +61 8 8322 4848

New Zealand +64 9 222 1024

UK & Europe +44 (0)20 3930 8109

redarc.com.au

USA +1 (704) 247 5150

Canada +1 (604) 260 5512

Mexico +52 (558) 526-2898

redarcelectronics.com