

THE POWER OF

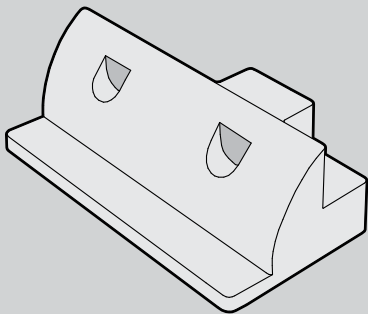
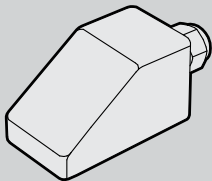
**REDARC**<sup>®</sup>

# Solar Panel Mounts

ABS Mounts for Fixed Monocrystalline  
Solar Panels

## MODELS:

- SMI9001
- SMI9002
- SMI9003
- SMI9007
- SMC0001



# SOLAR PANEL MOUNTS

The ABS Plastic Corner, Side and Spoiler Mounts are designed to mount single or multiple panels to your RV or boat. The ABS Mounts allow for single or multiple solar panels to be attached to your RV or boat without drilling, to maintain seal integrity.

## ABS PLASTIC MOUNTS RANGE

### SMI9001

4 × ABS Plastic Corner Mounts

### SMI9002

2 × ABS Plastic Side Mounts designed for mounting multiple solar panels.

### SMI9003

2 × ABS Plastic Spoiler Mounts to suit SMSP1050

### SMI9007

2 × ABS Plastic Mounts, to suit SMSP1080, SMSP1120 and SMSP1180.

### SMC0001

Designed to route a single cable into your Caravan or RV.

#### WARNING

Incorrect mounting can cause the panels to become detached during travel, which causes a safety risk to road users. Ensure that you follow the manuals instructions for correct installation.

Solar panels mounted to all types of vehicles, including but not limited to 4×4 Vehicles, RVs, Caravans, boats, etc. are subject to high wind and vibration forces.

The instructions provided are intended as a guide. Solar panels must be securely attached to the vehicle in accordance with all local and national safety standards. In addition, the solar mount manufacturers instructions must adhered to, or even exceeded, to comply with local and national standards in some circumstances. It is recommended that the ABS Mounts are installed by a suitably qualified person.

#### CAUTION

Incorrect installation and mounting of the solar panel will affect the performance of the solar panel.

Always use appropriate personal protective equipment (PPE) when operating power tools.



## LIMITED WARRANTY

For full warranty terms and conditions, visit the  
Warranty page of the REDARC website.

[www.redarcelectronics.com/warranty](http://www.redarcelectronics.com/warranty)

### Australia, New Zealand & Europe

REDARC Electronics Pty Ltd  
23 Brodie Road (North),  
Lonsdale SA 5160  
Australia

<b>Australia</b>	+61 8 8322 4848
<b>New Zealand</b>	+64 9 222 1024
<b>UK &amp; Europe</b>	+44 (0)20 3930 8109

### North America

REDARC Corporation  
c/o Shallco, Inc.  
308 Component Dr.  
Smithfield, NC 27577  
USA

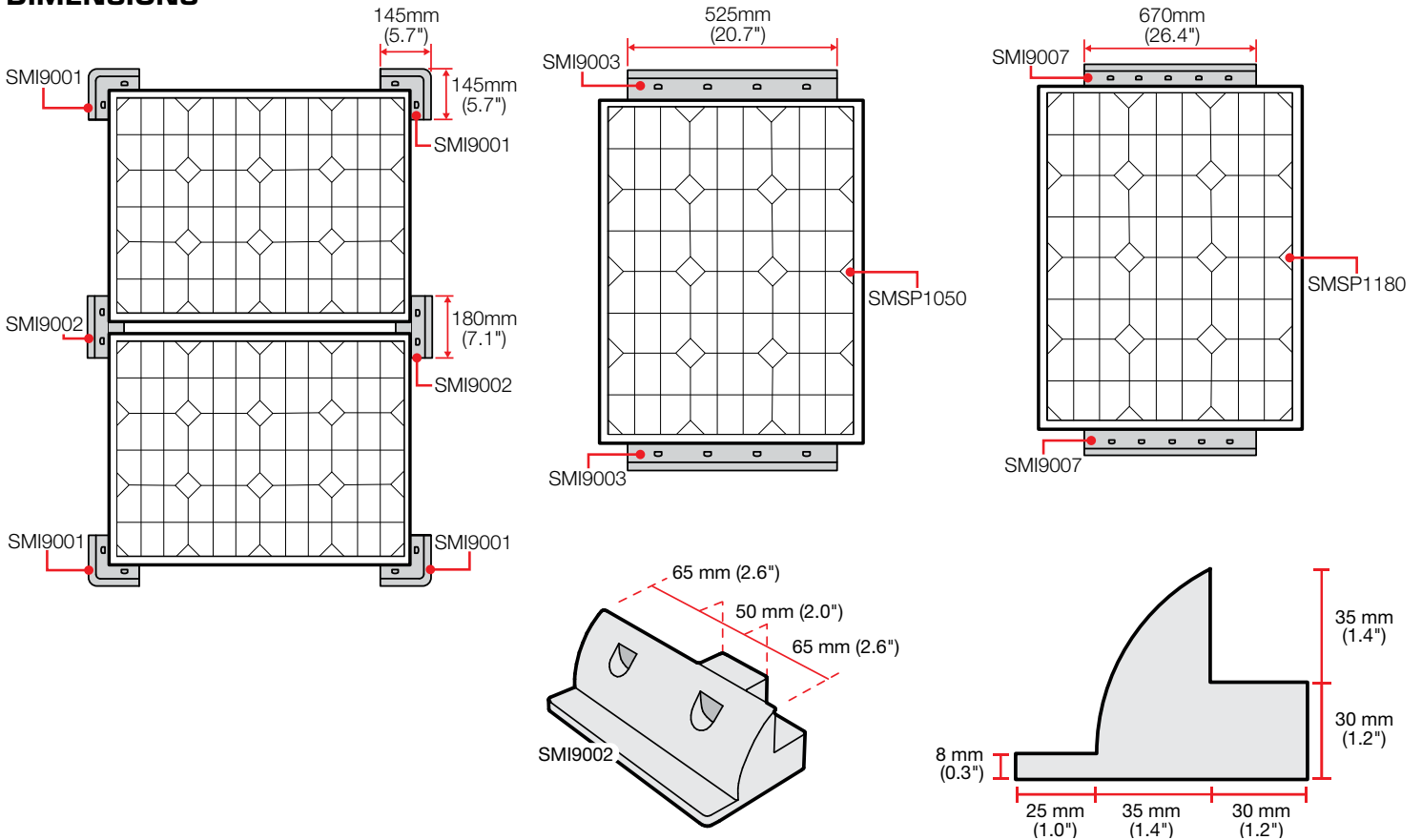
<b>USA</b>	+1 (704) 247 5150
<b>Canada</b>	+1 (604) 260 5512
<b>Mexico</b>	+52 (558) 526 2898

Design and specifications are subject to change without notice.

Copyright © 2022 REDARC Electronics Pty Ltd. All rights reserved.

REDARC®, THE POWER OF REDARC® and Smart Start® are  
trademarks of REDARC Electronics Pty Ltd.

## DIMENSIONS



## INSTALLATION

### WHAT YOU NEED

Depending on your setup the following may be required for your install:

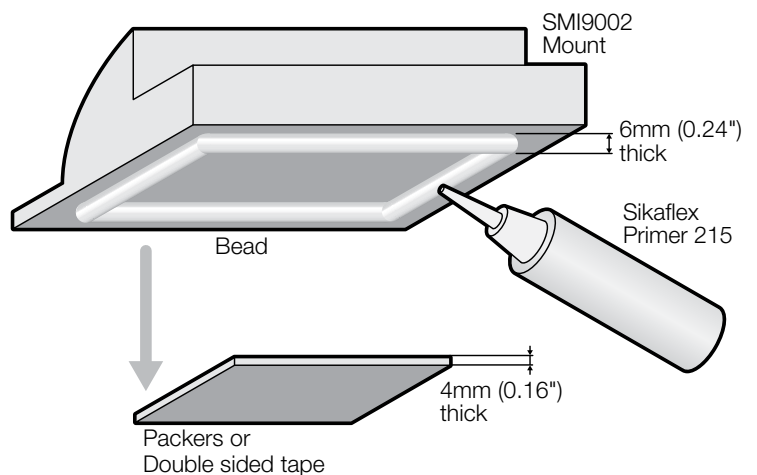
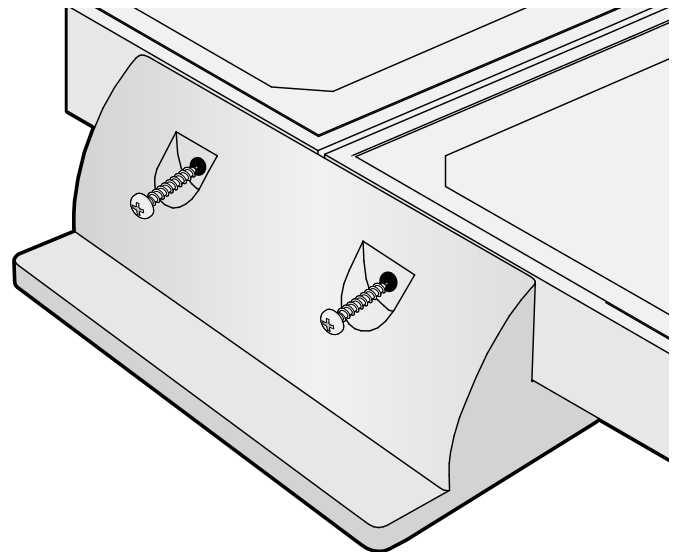
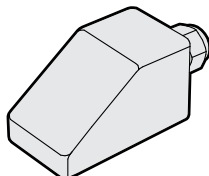
- Adhesive: Sikaflex 252 (recommended)
- Painted/fiberglass surface primer: Sika Primer 206 G+P (recommended)
- ABS Plastics surface primer: Sika Primer 215 (recommended)
- Packers or double-sided tape to 4 mm (0.16") thickness.
- Suitable screws and power drill.

### SMI9001, SMI9002, SMI9003 & SMI9007

1. Drill holes into the Solar Panel first then secure using the ABS Mounts to the Solar Panel using suitable screws.
2. Clean and prime roof surface with Sika Primer 206 G+P. The surface can be painted or fiberglass.
3. Clean and prime the ABS Mounts mating surface with Sika Primer 215.
4. Set packers/double sided tape in place on the roof surface. These need to be 4 mm (0.16") thick as the thickness of the bonded adhesive must be 4 mm (0.16") in thickness.
5. Apply 6 mm (0.24") thick bead of Sikaflex 252 to the ABS Mounts, then put in place and press down to come in contact with the packers/double sided tape.
6. Hold in place until the Sikaflex bonds (unless double sided tape has been used).
7. Let the Sikaflex cure for the required amount of time.

### SMC0001

For routing a single cable into your Caravan or RV. Use a suitable adhesive to bond the gland to the Caravan or RV and route the cable through the cable entry.





**Tech Support**

1300 REDARC

**Head Office**

+61 8 8322 4848

**New Zealand**

+64 9 222 1024

**UK & Europe**

+44 (0)20 3930 8109

**USA**

+1 (704) 247 5150

**Canada**

+1 (604) 260 5512

**Mexico**

+52 (558) 526-2898

**[redarcelectronics.com](http://redarcelectronics.com)**

INST186-1 EN