

THE POWER OF

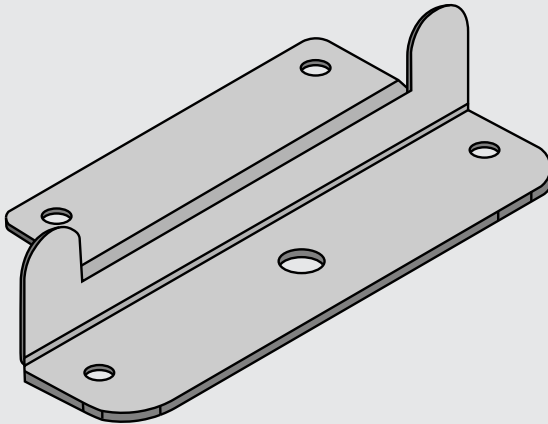
REDARC[®]

REDARC Solar[®]

Solar Panel Mounting Bracket

MODEL:

■ **SPMB0003**



Solar Panel Mount Bracket

The **SPMB0003** Solar Brackets is designed to mount REDARCs fixed solar panels to Rhino–Rack Pioneer Platform crossbars.

REDARC stock three other variants of Solar Brackets to suit different solar panels and crossbars:

SPMB0001 — suited to mount solar panels with both Rhino–Rack vortex crossbars and the Rhino–Rack heavy duty crossbars.

SPMB0002 — compatible with REDARCs fixed solar panels and other popular solar panels to an ARB Base Rack and Rhino–Rack Steel Mesh Platform systems.

SPMB0004 — suited to mount solar panels with Unistrut Series Channel systems and EzyStrut Plain Channel systems.

WARNINGS AND SAFETY INFORMATION

Save these instructions — this manual contains important safety instructions.

Do not install the mounting brackets unless you have read and understood this manual.

Disclaimer: REDARC accepts no liability for any injury, loss or property damage which may occur from the improper or unsafe installation or use of its products.

SAFETY MESSAGE CONVENTIONS

Safety messages in this manual include a signal word to indicate the level of the hazard as follows:

⚠ CAUTION

Indicates a potentially hazardous situation which, if not avoided, **may result in moderate or minor injury to the operator or to bystanders**. Read the message and follow instructions precisely.

⚠ CAUTION

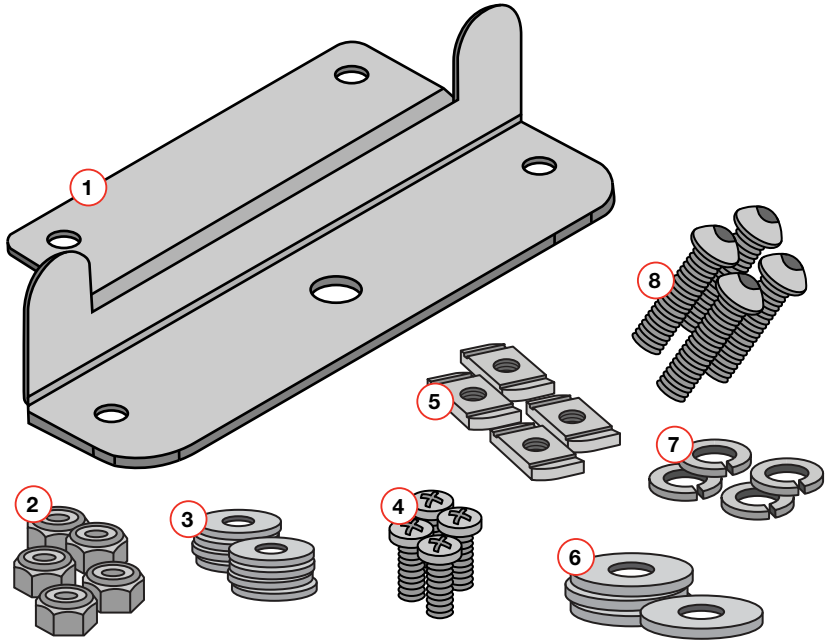
- Incorrect mounting can cause the panels to become detached during travel, which causes a safety risk to road users. Ensure that you follow the manual's instructions for correct installation.
- Incorrect installation and mounting of the solar panel can effect the performance of the solar panel.
- Leave adequate clearance around the solar panels to ensure the panels do not become partially shaded when in-use, and to allow access for maintenance of the panels and connections.
- Two people are recommended to safely lift the solar panels assembly above shoulder height (e.g. when lifting onto the roof of a vehicle during installation).
- The Solar Bracket must have both bolts attached to the solar panel. Any less will result in unsecure and unsafe mounting and may damage your solar panel during travel.
- All bolts must have at minimum two threads past the end of the nut.
- Always use appropriate personal protective equipment (PPE) when operating power tools.



Required tools for installation:

- | | | |
|----------------------------|--------------------|-------------------|
| ▪ Philips Head Screwdriver | ▪ Power Drill | ▪ 10 mm Spanner |
| ▪ 5 mm Allen Key | ▪ 6.5 mm Drill Bit | ▪ Wire brush/file |

SOLAR BRACKET PARTS



1. Solar Panel Bracket

Supplied with 4 brackets.

2. M6 S/S Nyloc Nut

Supplied with 8 nuts.

3. M6 x 12 mm S/S Flat Washer

Supplied with 8 washers.

4. M6 x 12 mm S/S Philips Bolt

Supplied with 8 bolts.

5. M8 Channel Nut

Supplied with 4 channel nuts.

6. M8 x 19 mm S/S Flat Washer

Supplied with 4 washers.

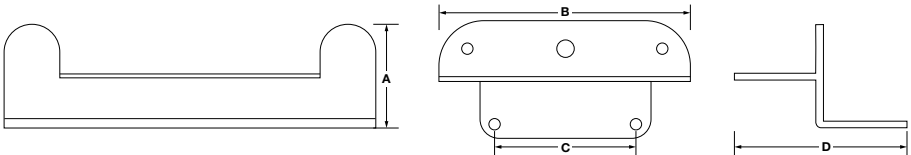
7. M8 S/S Spring Washer

Supplied with 4 washers.

8. M8 x 20 mm S/S Allen Key Bolt

Supplied with 4 bolts.

DIMENSIONS



A. 36.5 mm (1.4")

B. 135 mm (5.3")

C. 71 mm (2.8")

D. 62.5 mm (2.5")

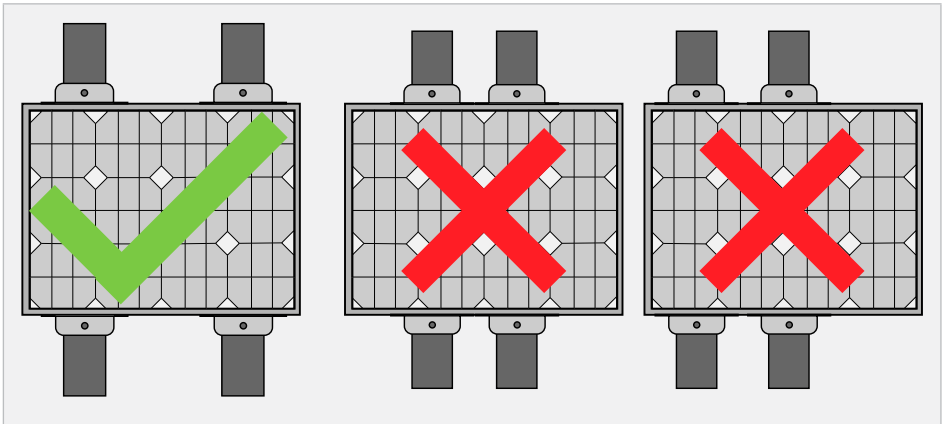
INSTALLATION

DETERMINE THE MOUNTING POSITION

The Solar Brackets must be bolted and fitted to the solar panel then clamped to the crossbars. Do not install the Solar Brackets to the crossbars first.

To determine where to bolt the Solar Brackets to the solar panel place the solar panel in the desired location on the crossbars and mark where each Solar Bracket needs to be positioned and bolted to the solar panel.

Note: The distance between the two crossbars must be suitable to support the weight and size of your solar panel. Incorrect positioning of crossbars may cause damage to your solar panel during travel.



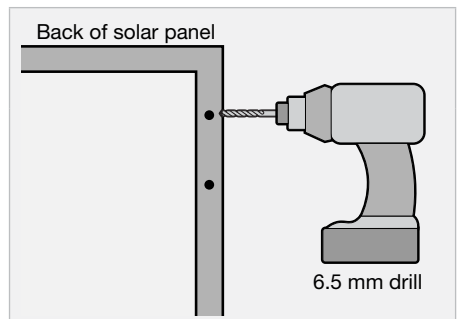
DRILL HOLES

Remove the brackets and drill the marked holes on the solar panel, preferably using a 6.5 mm drill bit and stopper depth of 6.5 mm.

⚠ CAUTION

The Solar Bracket must have both bolts attached to the solar panel. Any fewer will result in unsecure and unsafe mounting which may damage your solar panel during travel.

Holes should be deburred after drilling with a wire brush or file.

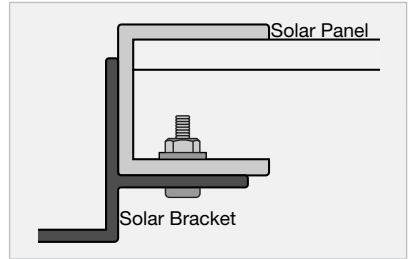


ASSEMBLE BRACKETS TO PANEL

Position and bolt the Solar Bracket in-line with the drilled holes on the solar panel using the supplied M6 Nyloc nuts, M6 Flat Washers and M6 Phillips bolt.

⚠ CAUTION

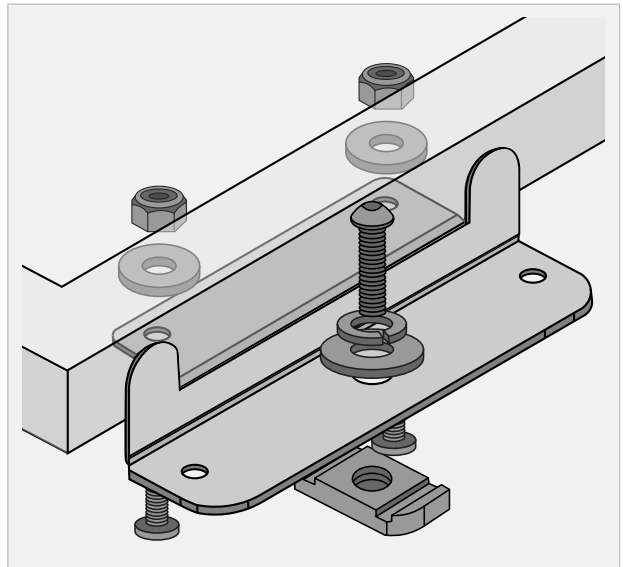
Leave adequate clearance around the solar panels to ensure the panels do not become partially shaded when in-use, and to allow access for maintenance of the panels and connections.



MOUNT TO CROSSBARS

Lift solar panel with attached Solar Brackets in the desired position on the crossbars and slide the M8 Channel nuts into the crossbar in line with the centre hole on the Solar Bracket.

Using the M8 Flat Washer, M8 Spring Washer and the M8 Bolt supplied, bolt the Solar Bracket to the Channel nut for a secure solar panel to crossbar connection. Apply this fitting to each Solar Bracket to complete the installation.

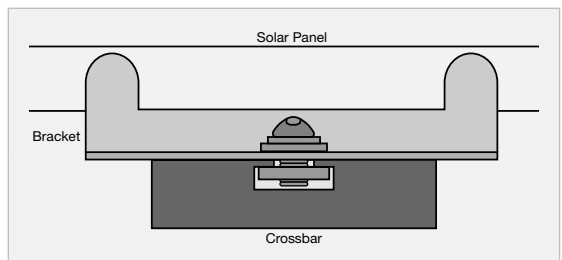


COMPLETED INSTALLATION

Note: Regularly check the mounting brackets for loose fasteners to avoid damage to the solar panel and the crossbars due to loose connection.

⚠ CAUTION

All bolts must have at minimum two threads past the end of the nut.



WARRANTY

LIMITED WARRANTY

For full warranty terms and conditions, visit the Warranty page of the REDARC website:

www.redarcelectronics.com/warranty

Australia, New Zealand, UK & Europe

REDARC Electronics Pty Ltd
23 Brodie Road (North),
Lonsdale SA 5160
Australia

Australia +61 8 8322 4848
New Zealand +64 9 222 1024
UK & Europe +44 (0)20 3930 8109

North America

REDARC Corporation
c/o Shallco, Inc.
308 Component Dr.
Smithfield, NC 27577
USA

USA +1 (704) 247-5150
Canada +1 (604) 260-5512
Mexico +52 (558) 526-2898

Design and specifications are subject to change without notice. | Copyright © 2024 REDARC Electronics Pty Ltd.
All rights reserved. REDARC® and THE POWER OF REDARC® are trademarks of REDARC Electronics Pty Ltd.
REDARC®, THE POWER OF REDARC®, and REDARC Solar® are trademarks of REDARC Electronics Pty Ltd.



Tech Support

1300 REDARC (1300-733-272)

Australia

+61 8 8322 4848

New Zealand

+64 9 222 1024

UK & Europe

+44 (0)20 3930 8109

USA

+1 (704) 247-5150

Canada

+1 (604) 260-5512

Mexico

+52 (558) 526-2898

redarcelectronics.com

THE POWER OF

