

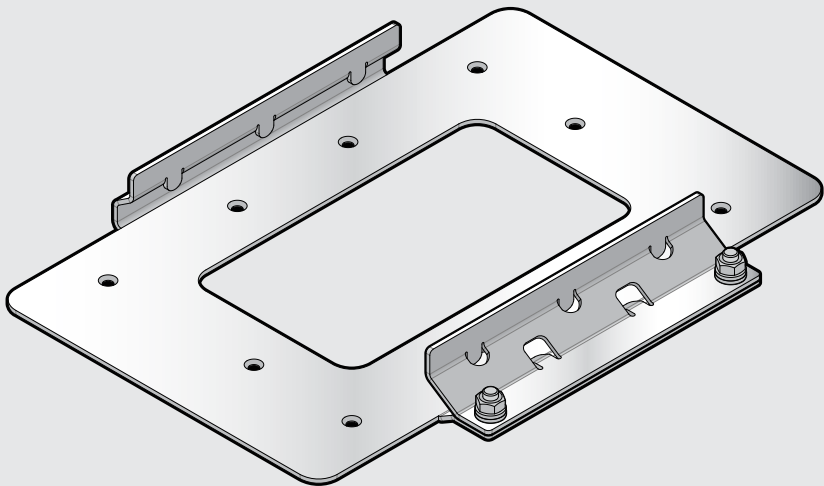
THE POWER OF

REDARC[®]

ALPHA150 BATTERY TRAY

LBATMB-001

Suitable for Alpha150 Lithium Battery (LBAT12150-SB)



WARNINGS AND SAFETY INFORMATION

SAVE THESE INSTRUCTIONS — This manual contains important safety instructions. Do not install the LBATMB-001 Battery Tray unless you have read and understood this manual. REDARC recommends that the Battery Tray referenced in this manual be installed by a suitably qualified person.

Disclaimer: REDARC accepts no liability for any injury, loss or property damage which may occur from the improper or unsafe installation or use of its products.

SAFETY MESSAGE CONVENTIONS

Safety messages in this manual contain a signal word that indicates the level of the hazard, as follows:

▲ CAUTION: Indicates a potentially hazardous situation which may result in moderate or minor injury to the operator or to bystanders.

NOTICE: Indicates a situation that may cause equipment damage.

▲ CAUTION

- Do not expose the Battery to heat or fire. Avoid exposure to direct sunlight.
- Keep the Battery clean and dry. Keep away from water, dust and contamination.

NOTICE

Only use the Battery in well ventilated areas.

Use Personal Protective Equipment (PPE).

Wear appropriate clothing as well as eye protection when operating power tools.



MOUNTING REQUIREMENTS

IMPORTANT: DO NOT install the battery in the engine bay, it is not designed to operate in engine bay environments.

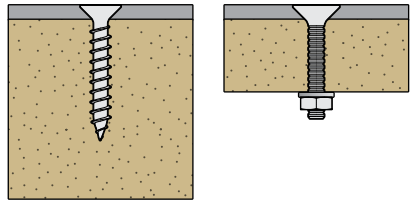
- Mount the lithium battery permanently to a fixed surface that has adequate strength to support it when all connections and wiring are in place. DO NOT mount on any moveable parts.
- The mounting surface must be flat and safe to drill through — check the reverse side before drilling.
- Mount in a location where the Status LED on the battery is visible.
- Leave adequate clearance around each side of the battery to allow for air flow.
- If installing the battery in an enclosed space, make sure there is adequate venting.

MOUNTING FASTENERS

Select appropriately sized countersunk fasteners for mounting the Battery Tray.

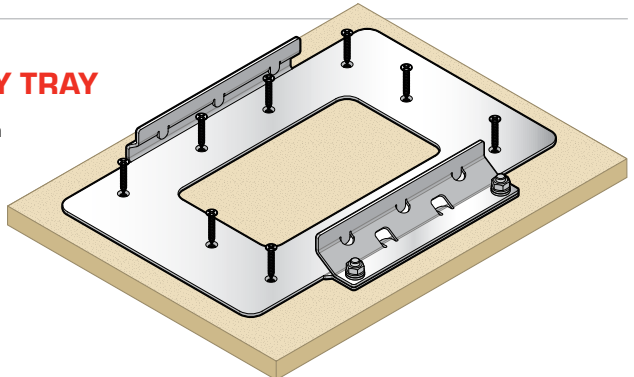
Ensure the selected fasteners:

- Are suitable for the mounting surface.
- Have a clearance-fit through the Mounting Holes on the Battery Tray. M4 (#8 or 5/32") are recommended.
- Will not protrude from the surface of the Battery Tray once installed.



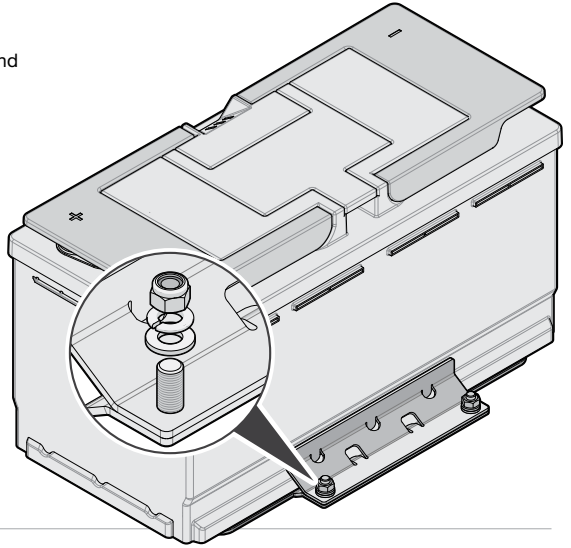
MOUNTING THE BATTERY TRAY

1. Select an appropriate mounting location for your battery (refer to 'Mounting Requirements').
2. Fasten the Battery Tray in its final position using your selected fasteners (refer to 'Mounting Fasteners').



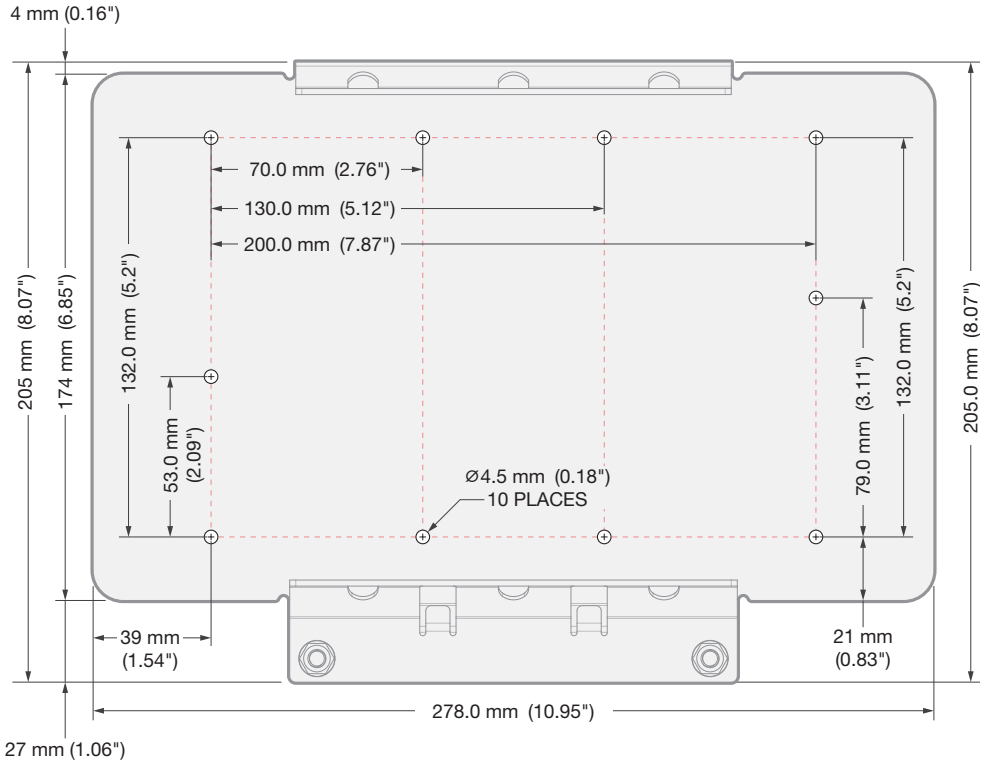
SECURING THE BATTERY

1. Remove the nuts, spring washers, flat washers and clamp section of the Battery Tray.
2. Place the battery centrally in the Battery Tray.
3. Align the locating features of the battery and the Battery Tray.
4. Loosely re-install the battery clamp, flat washers, spring washers and nuts removed in step 1.
5. Align the battery clamp with the locating features on the Battery.
6. Torque each nut to 7 N·m (5.2 lbf·ft) to securely clamp the battery to the Battery Tray.
7. Refer to the lithium battery's instruction manual for wiring installation.



DIMENSIONS

A printable, full-size Mounting Template is available to download online.



Tech Support

1300 REDARC (1300-733-272)

Australia

+61 8 8322 4848

New Zealand

+64 9 222 1024

UK & Europe

+44 (0)20 3930 8109

USA

+1 (704) 247-5150

Canada

+1 (604) 260-5512

Mexico

+52 (558) 526-2898

redarcelectronics.com

THE POWER OF

