

# REDVISION VEHICLE MANAGEMENT SYSTEM.



THE POWER OF  
**REDARC**



# MASTER YOUR POWER.

REDARCELECTRONICS.COM/REDVISION



**SEAMLESS CONTROL.**



**INTUITIVE APP.**



**EASY INSTALL.**



## REDVISION VEHICLE MANAGEMENT SYSTEM.

Take control of your adventure with the RedVision Vehicle Management System from REDARC. The award-winning RedVision system gives you an unprecedented level of control and automation for your RV, overlanding vehicle, travel trailer or van.

### POWER, MONITOR AND CONTROL LIKE NEVER BEFORE.

Manage your power anywhere, anytime. REDARC's Vehicle Management range includes battery management and power distribution all controlled by RedVision.

Whether it's via the dedicated RedVision screen or Bluetooth connected mobile device, RedVision is like a personal assistant for your power. Control multiple on-board devices, such as lights, inverters, water pumps, televisions, electric steps, compressors and fridges. It also provides you with the ability to monitor water levels, temperatures, power consumption and storage, right at your fingertips.

### CHARGE.

Each RedVision integrated system includes the state-of-the-art Manager30 battery manager. This 30A charger can simultaneously charge from 110V AC mains power, your vehicle's alternator and solar. Whether you're free camping or on a powered site, it knows how to take charge and keep secondary batteries fully charged.

### MONITOR.

Keep track of the essentials in real-time with RedVision, the all seeing eye of your off-grid power setup.

State of charge, estimated charge remaining, voltage, charge/discharge current and battery temperature are all on hand, helping you relax knowing your power is taken care of.

Measure up to six separate water levels or temperatures with built in sensor inputs (sensors sold separately).

Everything is available on the RedVision display or on the go with the intuitive RedVision app for iOS or Android.

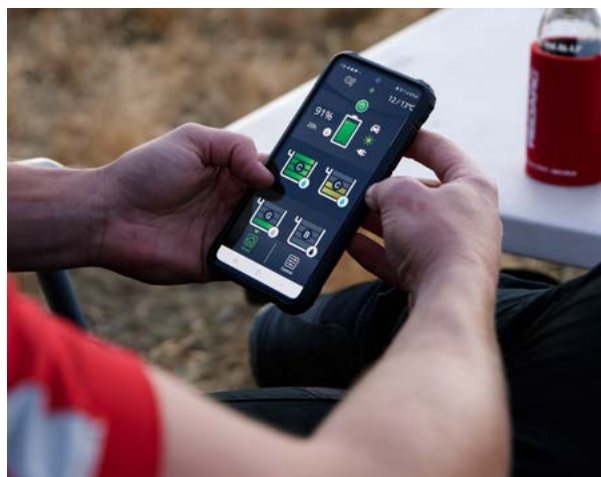
### CONTROL.

RedVision allows you to control multiple on-board devices, such as lights, inverters, water pumps and other loads including televisions, electric steps and fridges.

Forget about returning to your RV to adjust your outdoor lights as complete control is also available with the intuitive RedVision app on iOS and Android.

### AUTOMATE.

RedVision can be programmed to automatically control multiple devices, act as a master switch and even disconnect non-essential loads to preserve and protect your batteries. For example, simply hit one button to turn everything off and just leave the fridge running.



## REDVISION INTEGRATED SYSTEMS.

Upgrade your off-grid power system with REDARC's RedVision Integrated Systems. The award-winning RedVision systems combine smart battery management and centralized accessory control in one powerful package, while simplifying your installation.

Each system includes the powerful Manager30 battery manager, which acts like six products in one.

Not only does it charge your secondary batteries from the vehicle while on the move, it's a 110V AC charger; solar regulator; battery isolator; load disconnect controller and battery monitor. With the Manager30 in charge, you'll never be stranded with a flat battery again.

You can choose from three integrated systems, including TVMS Rogue, TVMS Prime or both, to get a complete battery management and accessory control solution that suits your next build.

### ROGUE REDVISION SYSTEM.



At just 25mm thick and with in-built smart fuses, the TVMS Rogue System offers a small footprint, great for vehicles with limited space.

Dimmable 10A outputs make the Rogue RedVision ideal for lighting and low powered systems (fridges, fans, etc).

- 10x 10A dimmable outputs
- 8x inputs allow for use with physical switches
- Compact size
- On-board smart fuses
- Streamlined installation and configuration
- Fully programmable
- Accurate analogue tank level inputs

PART NUMBERS  
**TVMS1240**  
**BMS1230SR-NA**

### PRIME REDVISION SYSTEM.



For setups with more than two water tanks and a mix of low and high-powered devices check out the Prime RedVision System. Six tank sensor inputs, a dedicated inverter channel and 80A max current level make the Prime RedVision kit an absolute powerhouse. Perfect for camper trailers and mid-sized caravans.

- 5x 30A outputs
- 5x 10A outputs
- 80A maximum current
- 6x tank sensor inputs
- 2x temp sensor inputs
- 1x voltage sensor input
- 1x dedicated inverter output
- Easily accessible fuses
- Fully programmable

PART NUMBER  
**TVMSKIT05**

### COMBO REDVISION SYSTEM.



Combining the power of the Prime with the smarts of the Rogue, the Combo RedVision System is the ultimate off-grid power solution for your build.

With 20 on-board channels it's ideal for vehicles with a high number of accessories and lights, such as caravans and RVs.

- 15x 10A outputs (10 dimmable)
- 5x 30A outputs
- 8x switch inputs
- 2x configurable sensor inputs
- 6x dedicated tank sensor inputs
- 2x temp sensor inputs
- 1x voltage sensor input
- 1x dedicated inverter output

PART NUMBERS  
**TVMS1240**  
**TVMSKIT05-NA**



## WHICH SYSTEM IS RIGHT FOR YOU?

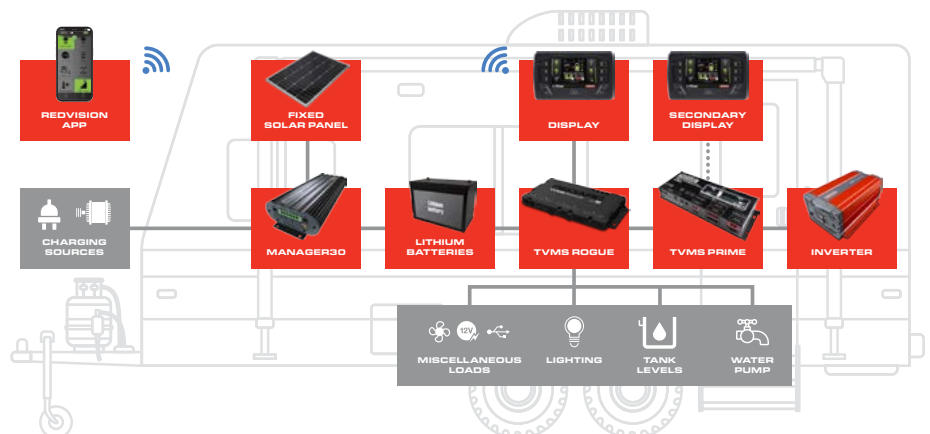
	ROGUE SYSTEM	PRIME SYSTEM	COMBO SYSTEM
How many total channels does it have?	10	10	20
Will it measure state of charge?	Yes	Yes	Yes
How many tanks will it measure?	Two with shared analogue inputs	Up to six with dedicated inputs	Up to eight
Can it measure ambient temperature?	Yes, two shared analogue inputs	Yes, two with dedicated inputs	Up to four
Will it control my inverter?	Yes	Yes, with dedicated inverter output	Yes
Can I dim my lights?	Yes	No	Yes (10 channels)
Can I reset my fuses via the app?	Yes	No	Yes (10 channels)
Is there a physical backup switch on the device?	No	Yes	Yes (10 channels)
Can I use my phone to control my accessories?	Yes	Yes	Yes
What type of tank level sensors can I use?	Float and pressure (up to two)	Conductive/probe (up to six)	Both
Is it compatible with push button switches?	Yes	No	Yes

## COMMON APPLICATIONS.

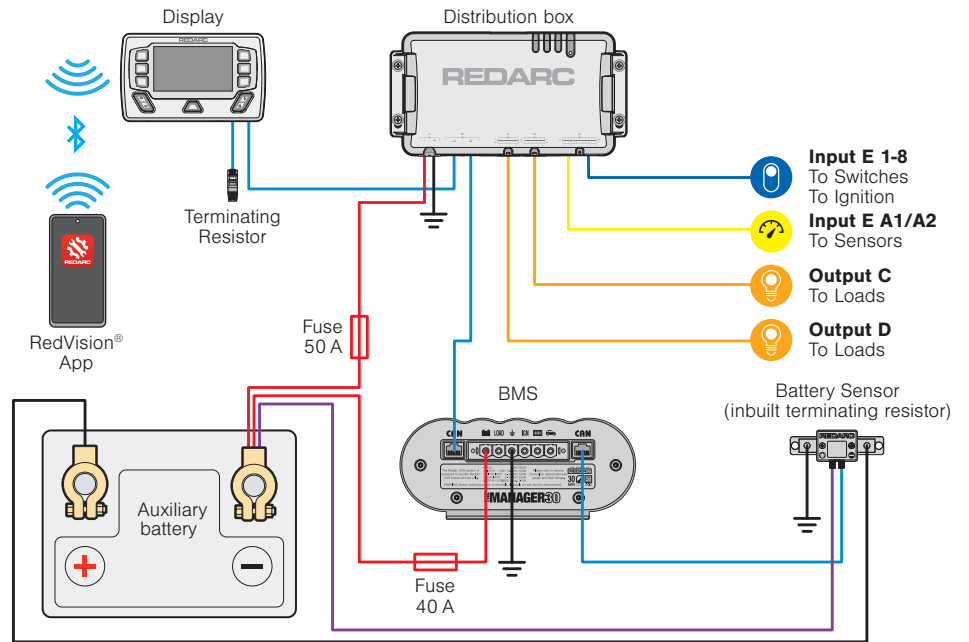
### CANOPY.



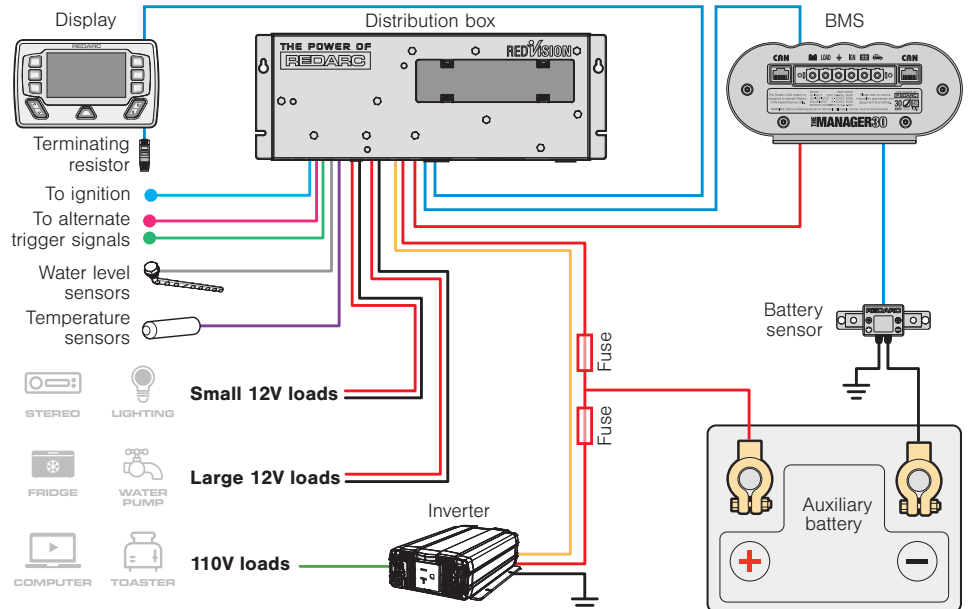
### TRAILER.



## TYPICAL TVMS ROGUE INSTALLATION.



## TYPICAL TVMS PRIME INSTALLATION.



## TYPICAL TVMS COMBO INSTALLATION.

Scan the QR code to see the diagram.





### REVISION USER APP.

Designed with the end user in mind, the REDARC's RedVision interface is available on iOS and Android when you're away from the vehicle. Compatible with most phones and devices running iOS 12.0, Android 8.0 and Bluetooth 4.0 or later, the RedVision User app provides you with full access to control and monitor all your electrical on-board devices from the palm of your hand.



### REVISION CONFIGURATOR APP.

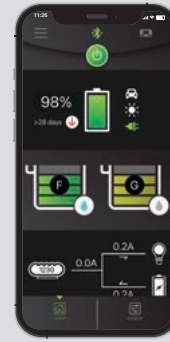
Designed with the installer in mind, the RedVision Configurator app allows you to fully customize your charger settings, distribution box inputs, output channels and control logic.

Fully configure your Battery Management System, TVMS Distribution Box and RedVision Display to exactly how you need it.

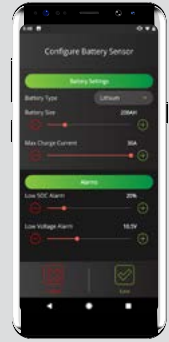


### TVMS ROGUE CONFIGURATOR APP FOR ANDROID COMING SOON.

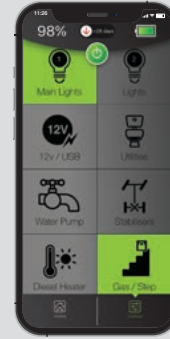
#### MONITOR YOUR VITALS.



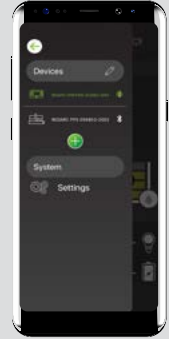
#### CONFIGURE YOUR SETUP.



#### CONTROL YOUR SYSTEM.



#### SWITCH BETWEEN YOUR DEVICES.



TVMS1280



TVMS1240



DISP4300-RC

Power input voltage	9 - 16V	9 - 16V
Maximum output current	80A	40A
Output channels	5 x 10A and 5 x 30A	10 x 10A
Sensor inputs	6 tank level, 2 temp, 1 voltage	2 configurable analogue inputs
Operating temperature	-4° to 140°F	-4° to 158°
Storage temperature	-40° to 185°F	-40° to 176°F
4.3" display included	Yes	No
Temperature sensors included	Yes	No
Weight	4.4lb	1.0lb
Dimensions	15.2" x 2.3" x 5.4"	9.8" x 5.1" x 1"

Operating temperature	-40° to 167°F
Storage temperature	-40° to 185°F
Weight	11oz
Dimensions	7.0" x 4.3" x 1.0"

Rogue compatible with DISP4300-RC models manufactured from January 2023 (serial numbers beginning with "23").

Displays manufactured from July 2022 to January 2023 are upgradeable (serial numbers "2207" to "2212").

For more information scan the QR code or visit the website...



#### VISIT REDARCELECTRONICS.COM TODAY

For free product support contact your local distributor. A complete list can be found at [redarcelectronics.com/distributors](http://redarcelectronics.com/distributors).

#### Local calling numbers

USA +1 (704) 247-5150

Canada +1 (604) 260 5512

Mexico +52 (558) 526 2898

6am to 6pm Australian Central Standard Time Monday to Friday.

[power@redarcelectronics.com](mailto:power@redarcelectronics.com)

## THE POWER OF

# REDARC

Details and specifications are subject to change without notice. © 2023 REDARC Corporation. All rights reserved.

FLYER33-230503-7541