

GOBLOCK PORTABLE DUAL BATTERY SYSTEM



THE POWER OF
REDARC



GO EXPLORE.

[REDARC.COM.AU/GOBLOCK](https://www.redarc.com.au/goblock)



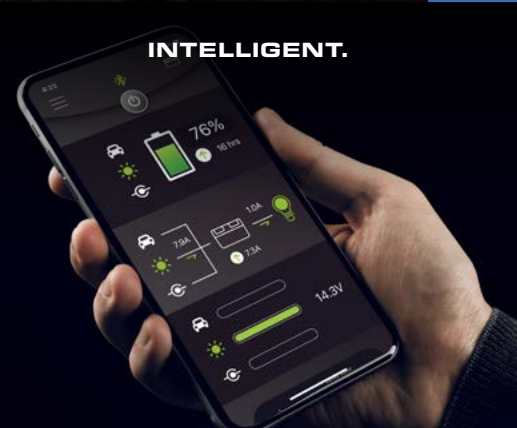
ULTRAFAST CHARGE.



LIFEPROOF.



INTELLIGENT.



INTRODUCING THE GOBLOCK.



NOT ALL PORTABLE POWER IS CREATED EQUAL. DESIGNED, ENGINEERED, BUILT AND TESTED FROM THE GROUND UP IN AUSTRALIA, THE GOBLOCK BY REDARC IS PURPOSE-BUILT TO THRIVE IN AUSTRALIA'S HARSHTEST CONDITIONS.

The GoBlock by REDARC is both a portable power source and a flexible in-vehicle dual battery system, capable of powering your electronics and accessories when you're away from home.

This system is built tough for the most rugged and remote off-grid adventure, yet suitable for practically any situation, including vans, 4WDs and boats. It's also ideal for vehicles that do not have enough room under the hood to install a traditional dual battery system.

With USB, accessory, Merit, fridge and Anderson outputs, the GoBlock is ideal for charging your smart devices, phones, games, cameras and drones, as well as powering lights, compressors, a portable fridge and more.

Featuring REDARC's proprietary DC charging technology, the GoBlock is capable of a rapid 50 amp recharge rate*, giving you a massive 100 amp hours of power in around two hours, when charged via the PowerDock or capable Anderson input.

This means the GoBlock is always ready to serve as your tough-as-nails, portable dual battery system.

*Subject to available power.



PORTABLE POWER UNLEASHED

Featuring lithium iron phosphate (LiFePO₄) cells, the GoBlock has been designed to allow 2000+ cycles, up to four times more charge cycles than other portable power stations on the market, ensuring value for money and a longer life span.

Unlike many portable power systems the GoBlock is capable of operating in a wider temperature range, meaning it will perform in extreme conditions without compromising performance.

The GoBlock is designed and built for outdoor use. There are no fans or exposed components that can affect the unit, allowing you to take it from the car to the beach, worksite, family BBQ or campsite without worrying about wind, moisture, dust or grime (IP52 rating).

With stamina that goes way beyond weekend power, you can load up the GoBlock quickly and put civilisation in your rear-view for longer.



**AUXILIARY
ANDERSON INPUT (50A)**



3X OUTPUT SOCKETS



**ANDERSON OUTPUT (50A)
& 4X USB PORTS (2.4A)**



**POWER STATUS LEDS
& WEATHERPROOF
HOUSING**



TRICKLE-CHARGE INPUT



MONITORING WITH APP

GOBLOCK FEATURES.

GO NOW

Hit the road and head to the great outdoors or enjoy a family day out with the peace of mind that you will be packed with hours, even days of off-grid power.

Fitted with an LED indicator and control button, so you can monitor the battery charge status easily.

GO OFF-GRID WITH SOLAR CHARGE

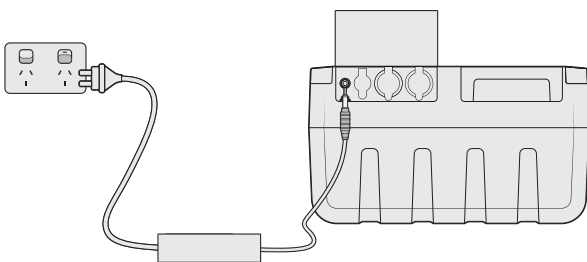
The GoBlock offers flexible charging options, ranging from the included AC wall charger to pre-charge before you leave the house, to the accessory socket charger found inside your vehicle. It will also accept up to 50 amp input from any capable 12 volt power source that has an Anderson plug, including solar.

The intelligent charging platform allows you to get the best out of your solar panels by using the latest in-built MPPT (Maximum Power Point Tracking) technology for an efficient charge while you're at camp or off the grid.

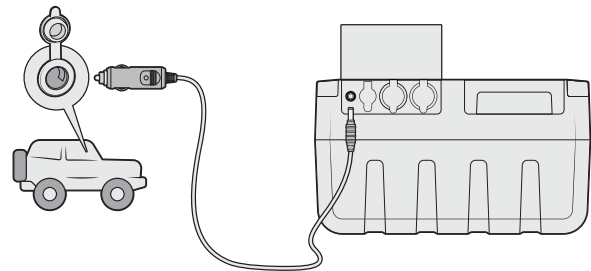
GOBLOCK STANDALONE FEATURES

- 100Ah (PPS12100) and 50Ah (PPS12050) variants
- Capable of up to 50A rapid charge rate (100Ah \approx 2 hours, source dependent)
- 4 x USB, 7.5A Accessory and 15A Engel/Fridge socket and 50A Anderson outputs
- Powered by lithium iron phosphate (LiFePO₄) battery cells with 2000+ cycle durability (at 100% DoD, 1C charge/discharge rate)
- Rechargeable using AC, DC or solar
- Recharge options:
 - 7.5A AC mains overnight charger
 - 7.5A DC in-vehicle accessory socket charger
 - 50A DC Anderson input using portable solar or vehicle alternator
- Rugged and lightweight, tough enough for off-road adventures and convenient for shorter journeys too
- Start Battery Recovery feature (SBR)
- App (iOS + Android) with monitoring and control features
- Traditional tie-down guides on both axis of the unit
- Retractable handles
- Rated IP52

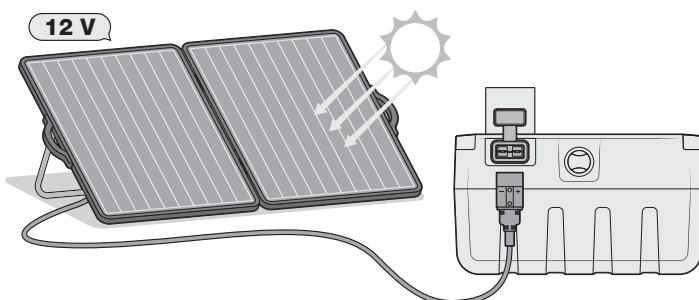
CHARGING OPTIONS



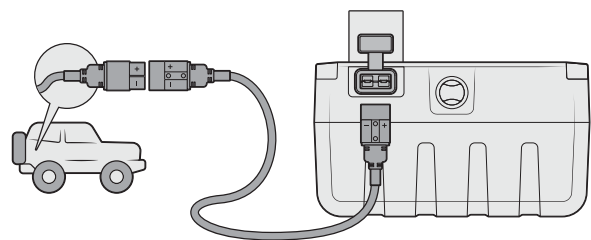
AC wall charger



Accessory socket charger



Solar panel charging cables



Auxiliary to alternator lead



GO TOUGH

The GoBlock is built tough with a rugged exterior, prepared for almost any situation. With an IP52 protection rating, its inputs and outputs are neatly recessed with tough shields to protect them from hard knocks and inclement weather.

The battery is made of high-quality lithium iron phosphate (LiFePO₄) cells, safely enclosed within the robust aluminium case. It is powerful with up to four times the recharge cycles of competing battery chemistries.

GO ANYWHERE

The GoBlock can be installed into vehicles with or without the PowerDock. This gives you the best of both worlds, ensuring safe storage of the GoBlock and the portability to take it with you in your boat, to your campsite or in multiple vehicles offering greater value for money.

WIRELESS MONITORING

GoBlock connects via Bluetooth to REDARC's RedVision smartphone App (IOS 12 and Android 8 compatible) giving you remote access to the battery state of charge, system diagnostics and input source information and the ability to activate the Start Battery Recovery mode.

GO SAFE

The GoBlock includes a Start Battery Recovery feature which enables you to safely charge a vehicle's start battery, so you can get yourself or a friend out of trouble and on the road in just 15 minutes with this handy vehicle battery recovery capability.

AUTOMATIC CHARGEBACK

Once the GoBlock is full and connected to a valid solar source it can automatically send excess power back to maintain the health of the vehicle start battery via the PowerDock, if the feature has been enabled via the RedVision App.

GREEN POWER

When connected to the PowerDock, the GoBlock takes full advantage of REDARC's patented Green Power Priority technology, which sees the system charge itself from a fixed solar source before supplementing power from the vehicle, which lightens the load on your vehicle alternator.

AUSTRALIAN MADE

Designed, engineered, built and tested from the ground up in Australia.



GO BEYOND A TYPICAL DUAL BATTERY SYSTEM WITH THE POWERDOCK.



DO MORE WITH THE POWERDOCK

To get the most out of your GoBlock portable power system, add the PowerDock, a semi-permanent installation that allows you to securely mount your system and rapid charge from both the vehicle and connected solar.

This provides rapid charge direct into the GoBlock system making it the most versatile portable dual battery system and a true all-in-one solution.

It is even lockable with a neat anti-theft feature. When you reach your destination, pop the quick release handle – the GoBlock is recharged, ready to go.

GO FOR MORE - POWERDOCK

Unlock these additional features when paired with the PowerDock (sold separately):

- A simple to install quick-release system
- Recharge your GoBlock fast - simultaneous DC and fixed solar charging with Green Power Priority
- Automatic safe chargeback to the start battery
- GoBlock restraint for safe travel – no more tie-downs
- Secure GoBlock with the lockable anti-theft feature
- Ignition signal input for better performance when used with smart alternators
- Install multiple PowerDocks across vehicles or campers for easy GoBlock transfer

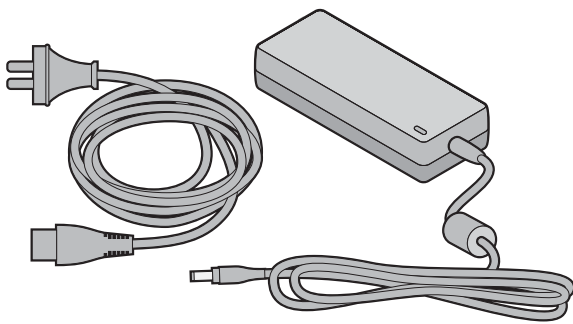
TRADITIONAL DUAL BATTERY SET UP v GOBLOCK + POWERDOCK

	DUAL BATTERY	GOBLOCK
Easy standard installation	X	✓
Portable - move between your car, boat, camp and trailer	X	✓
Neat and compact – battery, cabling, DC-DC charger and connectors inside the unit	X	✓
Plug and play connectors ready to go	X	✓
Safely recover your (or a mate's) start battery	✓	✓
Charge back to the start battery when the auxiliary is charged and mains or solar is available	X	✓
Warranty	?	Two years

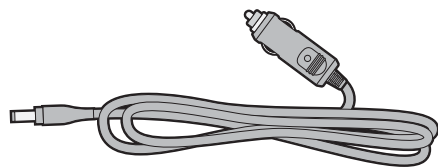
THE GOBLOCK COMBINES NINE DEVICES INTO ONE COMPACT PACKAGE...

- AC charger (overnight mains charger)
- 50 amp DC-DC charger
- 50 amp MPPT solar regulator
- Quality LiFePO₄ battery cells
- REDARC proprietary battery management system
- Battery monitoring via RedVision®
- Start battery recovery capability
- Aluminium battery housing
- Charging outlets for 12 volt accessories, Anderson and USB

GOBLOCK INCLUDES:



7.5A AC overnight mains charger

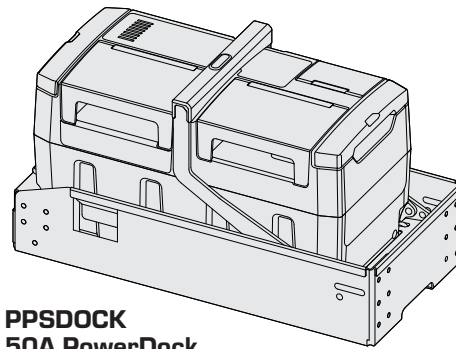


7.5A DC accessory socket charger

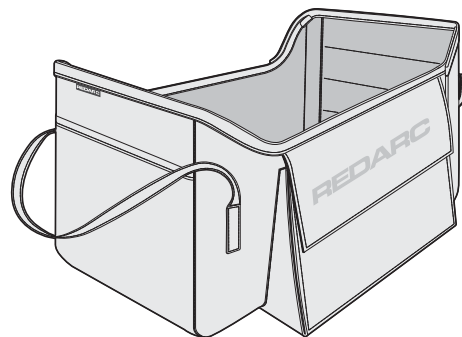


Access to the iOS and Android app

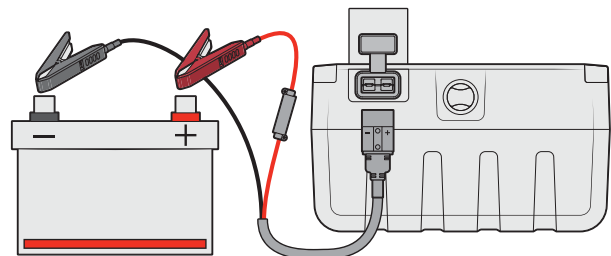
OPTIONAL ACCESSORIES:



**PPSDOCK
50A PowerDock**



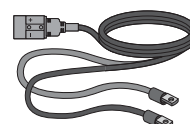
**PPSKIT-006
GoBlock transit bag**



**SBR0001
Start battery recovery cable**



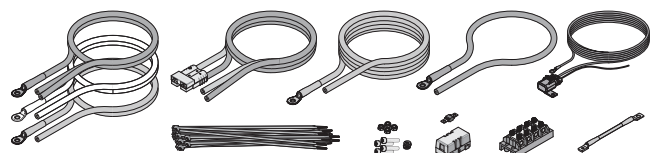
**UPA-001
USB car
charger**



**PPSKIT-001
Inverter
connector cable**



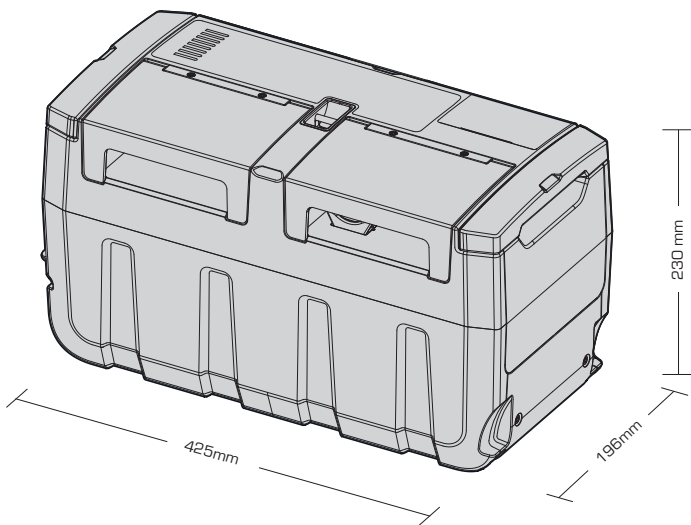
**PPSDOCKWK-001
Terminal block
wiring kit**



**PPSDOCKWK-002
Complete wiring kit**

GO EXPLORE.THE POWER OF
REDARC**SPECIFICATIONS**

	PPS12050	PPS12100
Battery capacity	50Ah (640Wh)	100Ah (1280Wh)
Nominal voltage	12.8-15.8V	12.8-15.8V
Cycle life	2000 cycles (≥80% capacity retention)	2000 cycles (≥80% capacity retention)
Maximum current input	50A (AUX Anderson or solar)	50A (AUX Anderson or solar)
Maximum total output	50A	50A
Operating temperature range charging	0°C to 45°C	0°C to 45°C
Operating temperature range discharging	-20°C to 60°C	-20°C to 60°C
IP rating	IP52	IP52
Dimensions closed (L x W x H)	425 x 196 x 230mm	425 x 196 x 230mm
Weight	15kg	19kg



For more
information scan
the QR code or
visit the website...

**REDARC.COM.AU****HEAD OFFICE**

23 Brodie Road (North), Lonsdale South Australia, Australia 5160
Email power@redarc.com.au

AUSTRALIA

Head office 08 8322 4848
Tech support 1300 REDARC (1300 733 272)

NEW ZEALAND

Head office 9 222 1024
Tech support +61 1300 REDARC (+61 1300 733 272)

THE POWER OF
REDARC

Details and specifications are
subject to change without notice.
© 2022 REDARC Electronics Pty Ltd.
All rights reserved.
7311-FLYER55-230816

