

THE POWER OF
REDARC[®]

GOBLOCK
POWER YOUR ADVENTURE.

INTRODUCING THE GOBLOCK.



NOT ALL PORTABLE POWER IS CREATED EQUAL. DESIGNED, ENGINEERED, BUILT AND TESTED FROM THE GROUND UP IN AUSTRALIA, THE GOBLOCK BY REDARC IS PURPOSE BUILT TO THRIVE NO MATTER WHERE YOUR ADVENTURE TAKES YOU.

The GoBlock by REDARC is both a portable power source and a flexible in-vehicle dual battery system, capable of powering your electronics and accessories when you're away from home.

This system is built tough for the most rugged and remote off-grid adventure, yet suitable for practically any situation, including vans, RV's, off-grid rigs and boats. It's also ideal for vehicles that do not have enough room under the hood to install a traditional dual battery system.

With USB, accessory, Cigarette/Merit or 12v DC, fridge and Anderson outputs, the GoBlock is ideal for charging your smart devices, phones, speakers, cameras and drones, as well as powering lights, compressors, a portable fridge, 700 watt inverter and more.

Featuring REDARC's proprietary DC charging technology, the GoBlock is capable of a rapid 50 amp recharge rate*, giving you a massive 100 amp hours of power in around 2 hours when charged via the PowerDock or capable Anderson input.

The GoBlock includes a Start Battery Recovery feature which enables you to safely charge a vehicle's start battery, so you can get yourself or a friend out of trouble and on the road in just 15 minutes with this unique vehicle battery recovery capability.

This means the GoBlock is always ready to serve as your tough as nails portable dual battery system. Unlike the slow charging, consumer grade competitor portable power units, the REDARC GoBlock has been Australian engineered to provide rugged, high-performance reliability within the harshest environments.

Power these and more:



*Subject to available power.



PORTABLE POWER UNLEASHED

Featuring lithium iron phosphate (LiFePO₄) cells, the GoBlock has been designed to allow 2000+ cycles, ensuring value for money and a longer life span.

Unlike many portable power systems the GoBlock is capable of operating in a wider temperature range, meaning it will perform in extremely hot conditions (up to 131°F for charging, and 140°F for operating) without compromising performance.

The GoBlock is designed and built for outdoor use. There are no fans or exposed components that can affect the unit, allowing you to take it from the car to the beach, worksite, tailgate, family bbq, or campsite without worrying about wind, moisture, dust or grime (IP52 rating).

With stamina that goes way beyond weekend power, you can load up the GoBlock quickly and put civilization in your rear-view for longer.



**AUXILIARY
ANDERSON INPUT (50A)**



3X OUTPUT SOCKETS



**ANDERSON OUTPUT (50A)
& 4X USB PORTS (2.4A)**



**POWER STATUS LEDS
& WEATHERPROOF
HOUSING**



TRICKLE-CHARGE INPUT



**MONITORING WITH THE
REDVISION APP**

GOBLOCK FEATURES.

GO NOW

Hit the road and head to the great outdoors or enjoy a family day out with the peace of mind that you will be packed with hours, even days, of off-grid power.

Fitted with an LED indicator and control button, so you can monitor the battery charge status easily.

Just a few reasons to add a GoBlock Portable Dual Battery System to your vehicle or RV:

- Camping Portable Power
- Tailgating Portable Power
- Flexible In-Vehicle Auxiliary System to Power a Fridge and Other Electronics
- Worksite Power
- Back-up Power at Home
- Boating Day Power

GO OFF-GRID WITH SOLAR CHARGE

The GoBlock offers flexible charging options, ranging from the included AC wall charger to pre-charge before you leave the house, to the accessory socket charger found inside your vehicle. It will also accept up to 50A input from any capable 12v power source that has an Anderson plug, including solar.

The intelligent charging platform allows you to get the best out of your solar panels by using the latest in-built MPPT (Maximum Power Point Tracking) technology for an efficient charge while you're at camp or off the grid.

DO MORE WITH THE POWERDOCK

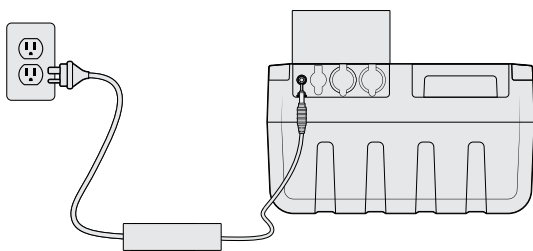
To get the most out of your GoBlock portable power system, add the PowerDock, a semi-permanent docking station installation that allows you to securely mount your system and rapid charge from both the vehicle and connected solar.

This provides rapid charge direct into the GoBlock system making it the most versatile portable dual battery system and a true all-in-one solution.

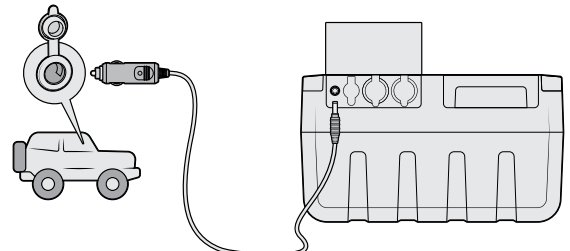
It is even lockable with an impermeable anti-theft feature. When you reach your destination, pop the quick release handle – the GoBlock is recharged, ready to go.



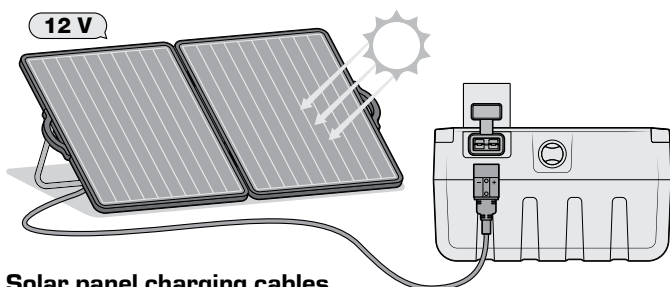
CHARGING OPTIONS



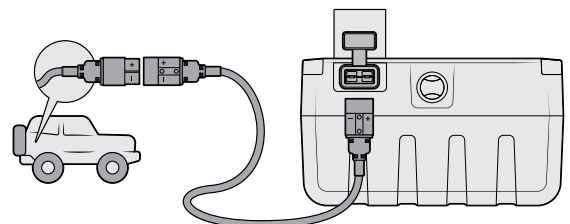
AC wall charger



Accessory socket charger



Solar panel charging cables



Auxiliary to alternator lead



RUGGED TOUGH

The GoBlock is built tough with a rugged exterior, prepared for almost any situation. With an IP52 protection rating, its inputs and outputs are neatly recessed with tough shields to protect them from hard knocks and inclement weather.

The battery is made of high-quality lithium iron phosphate (LiFePO₄) cells, safely enclosed within the robust aluminium case. It is powerful, with up to 4 times the recharge cycles of competing battery chemistries.

GO ANYWHERE

The GoBlock can be installed into vehicles with or without the PowerDock. This gives you the best of both worlds, ensuring safe storage of the GoBlock and the portability to take it with you in your boat, to your campsite or in multiple vehicles, offering greater value and multiple ways to utilize it.

GO 100% CHARGED

Once the GoBlock is full and connected to a valid solar source it can be set to automatically send excess power back to maintain the health of the vehicle start battery via the PowerDock.

GO CONFIDENTLY

Feel confident you'll always know how much power remains while you're working or enjoying the outdoors with the GoBlock.

GO SAFE

The GoBlock includes a Start Battery Recovery feature which enables you to safely charge a vehicle's start battery, so you can get yourself or a friend out of trouble and on the road in just 15 minutes with this handy vehicle battery recovery capability.

GO SUSTAINABLE POWER

When connected to the PowerDock, the GoBlock takes full advantage of REDARC's patented Green Power Priority technology, which prioritizes the system to charge itself from a fixed solar source before supplementing power from the vehicle, which lightens the load on your vehicle's alternator which optimizes maximum charging.

AUSTRALIAN MADE

Designed, engineered, built and tested from the ground up and in the harshest conditions in Australia.



GO BEYOND A TYPICAL DUAL BATTERY SYSTEM WITH THE POWERDOCK.



GOBLOCK STAND-ALONE FEATURES

- Capable of up to 50A rapid charge rate (100Ah \approx 2hr) [source dependent]
- 4 x USB, 7.5A Accessory and 15A Engel/Fridge socket and 50A Anderson outputs.
- Powers up to 700w inverter
- Powered by lithium iron phosphate (LiFePO4) battery cells with 2000+ cycle durability [at 100% DoD, 1C charge/discharge rate]
- Rechargeable using: AC, DC or solar
- Recharge options:
 - 7.5A AC mains overnight charger
 - 7.5A DC in-vehicle accessory socket charger
 - 50A DC Anderson input using portable solar or vehicle alternator
- Rugged and lightweight, tough enough for off-road adventures and convenient for shorter journeys too
- Start Battery Recovery feature (SBR)
- RedVision App (iOS + Android) with monitoring and control features
- Traditional tie-down guides on both axis of the unit
- Retractable handles
- Rated IP52.

GO FOR MORE - POWERDOCK

Unlock these additional features when paired with the PowerDock (sold separately):

- A simple to install quick-release system
- Recharge your GoBlock fast
 - Simultaneous DC and fixed solar charging with Green Power Priority
- Automatic safe chargeback to the start battery
- GoBlock restraint for safe travel – no more tie-downs
- Secure GoBlock with the lockable anti-theft feature
- Ignition signal input for better performance when used with smart alternators
- Install multiple PowerDocks across vehicles or campers for easy GoBlock transfer.

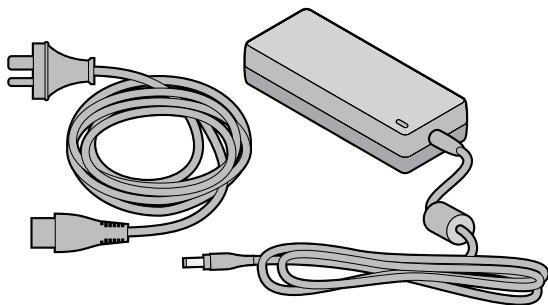
To learn more about the GoBlock and accessories visit our website.



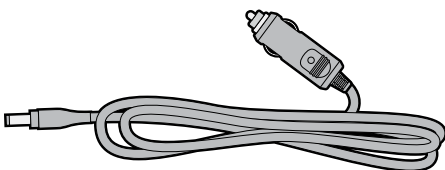
THE GOBLOCK COMBINES NINE DEVICES INTO ONE COMPACT PACKAGE...

- AC charger (overnight charger)
- 50 amp DC-DC charger
- 50 amp MPPT solar regulator
- Quality LiFePO₄ battery cells
- REDARC proprietary battery management system
- Battery monitoring via RedVision®
- Start battery recovery capability
- Aluminium battery housing
- Charging outlets for 12 volt accessories, Anderson and USB

GOBLOCK INCLUDES:



7.5A AC overnight charger

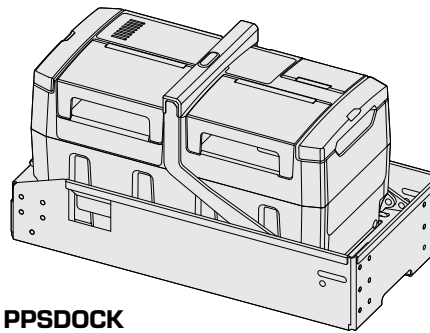


7.5A DC accessory socket charger

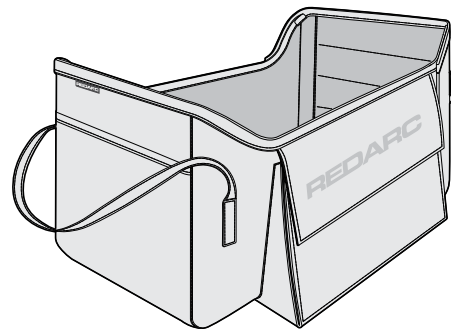


Access to the iOS and Android app

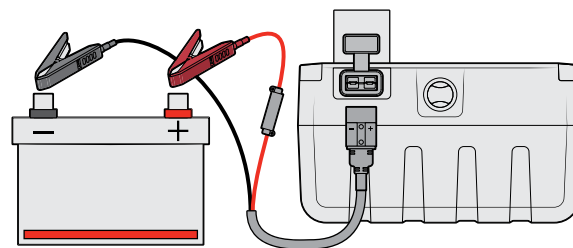
OPTIONAL ACCESSORIES:



**PPSDOCK
100A PowerDock**



**PPSKIT-006
GoBlock transit bag**



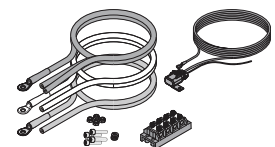
**SBR0001
Start battery recovery cable**



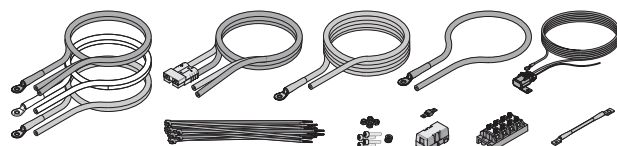
**UPA-001
USB car
charger**



**PPSKIT-001
Inverter
connector cable**



**PPSDOCKWK-001
Terminal block
wiring kit**

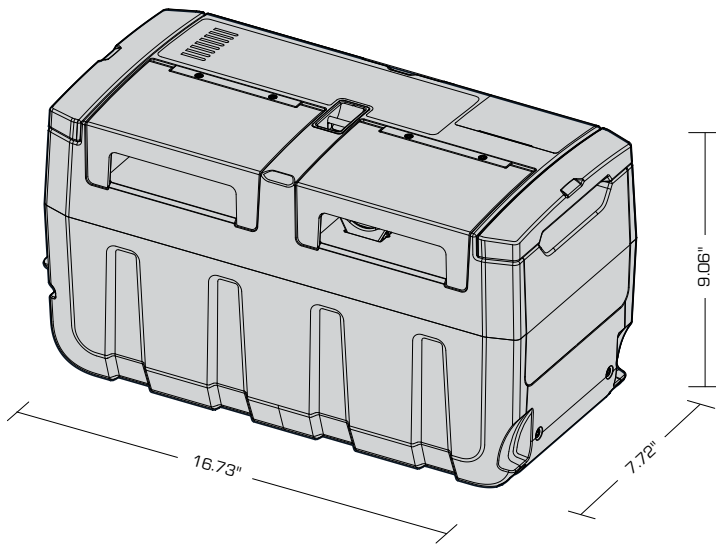


**PPSDOCKWK-002
Complete wiring kit**

GO EXPLORE.

SPECIFICATIONS

	PPS12100
Battery capacity	100 Ah (1280 Wh)
Nominal voltage	12.8 -15.8V
Cycle life	2000 cycles (≥80% capacity retention)
Maximum current input	50 A (AUX Anderson or Solar)
Maximum total output	50 A
Operating temperature range	32°F to 185°F
IP rating	IP52
Dimensions closed (L x W x H)	9.06" x 7.72" x 16.73"
Weight	41.89 lbs



REDARCELECTRONICS.COM

LOCAL CALLING NUMBERS

USA +1 (704) 247-5150
Canada +1 (604) 260 5512
Mexico +52 (558) 526 2898

REDARC USA

1701 Northwest Highway, Suite 100, Grapevine, Texas 76051 USA
Email power@redarc.com.au

INTERNATIONAL HEAD OFFICE

23 Brodie Road (North), Lonsdale, South Australia 5160 Australia

Details and specifications are subject to change without notice. © 2024 REDARC Electronics Pty Ltd. All rights reserved.

THE POWER OF

REDARC[®]