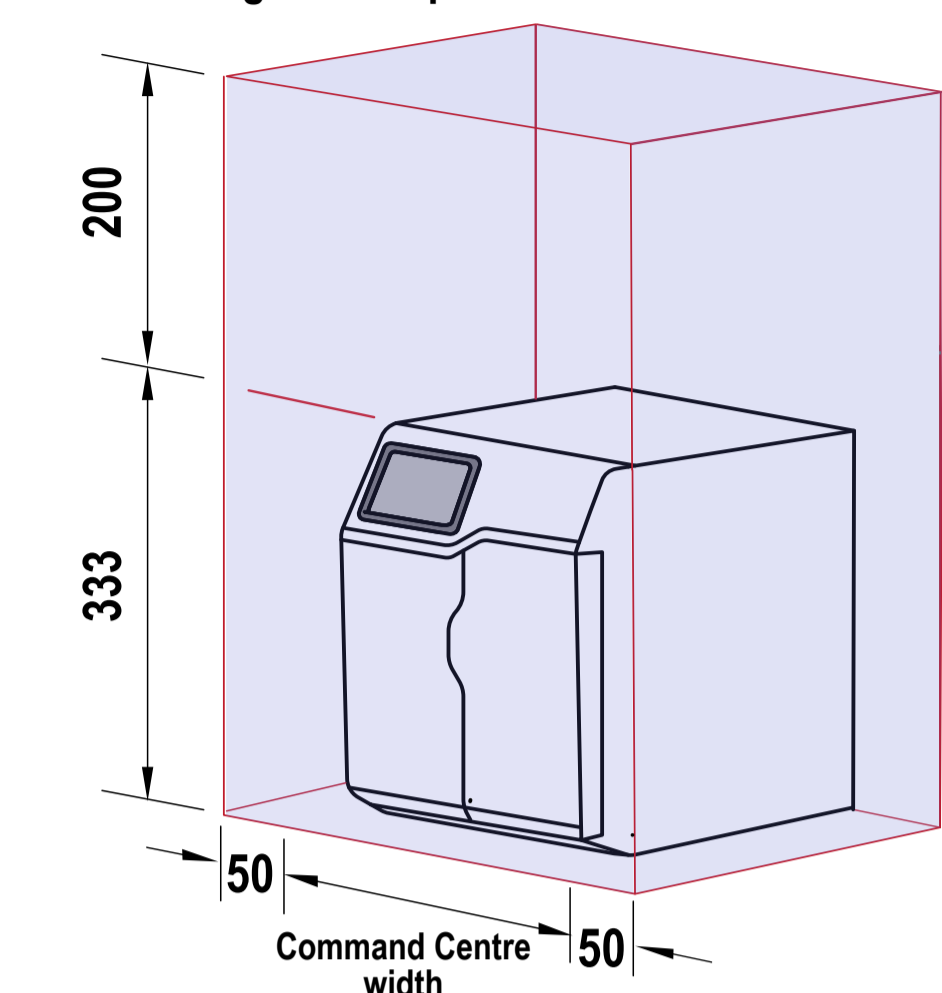


Ventilation requirements Contact your local service provider if ventilation is not suitable

Clearance envelope

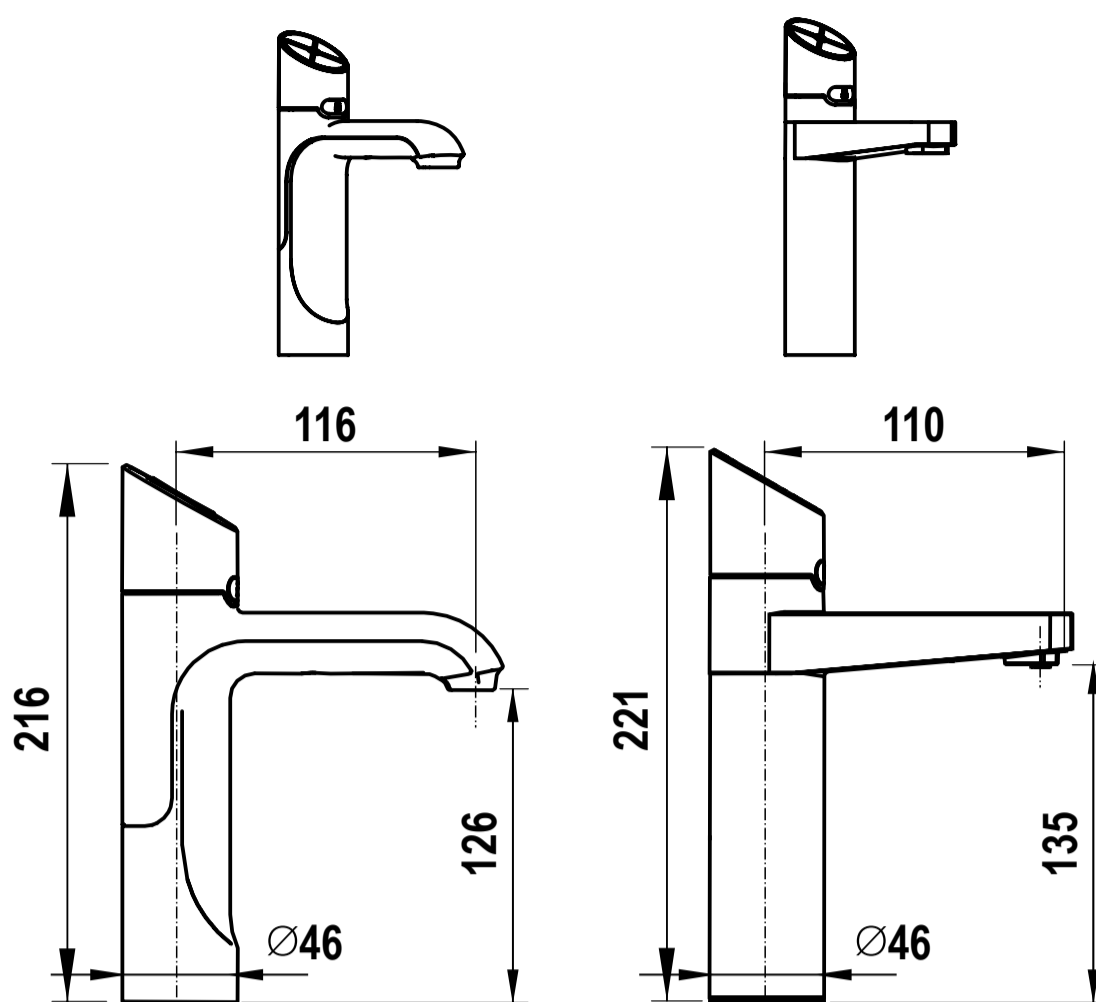
Position the Tap and the Command Centre as close together as possible.



HydroTap Tap options

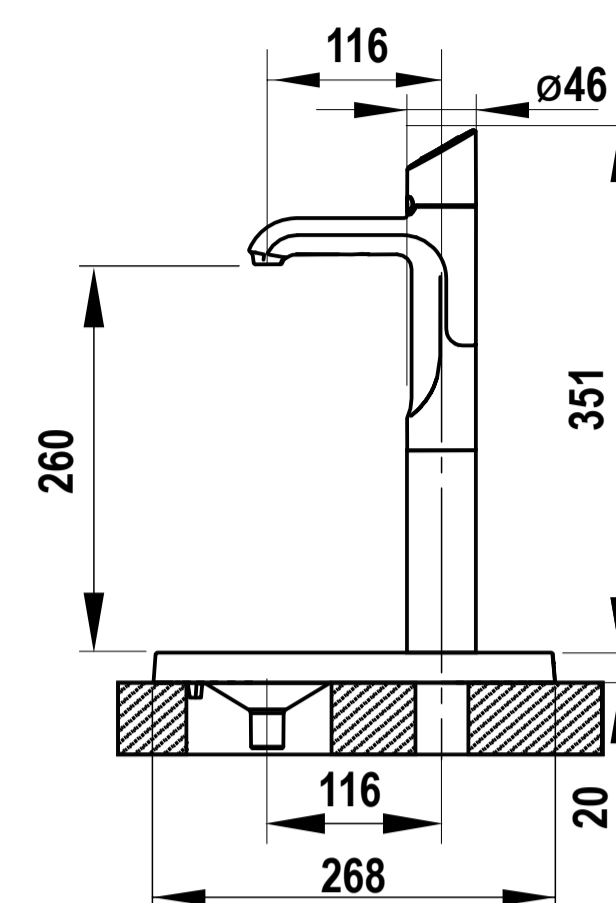
Classic Plus

Elite Plus

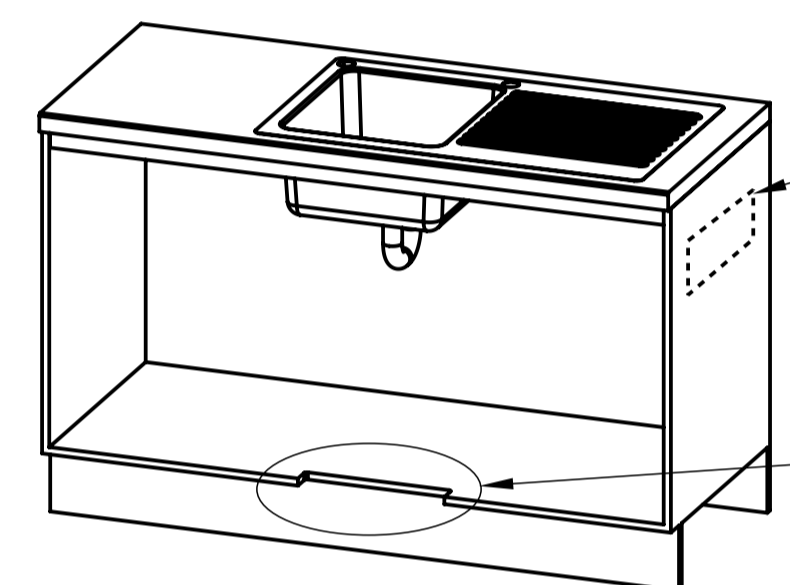
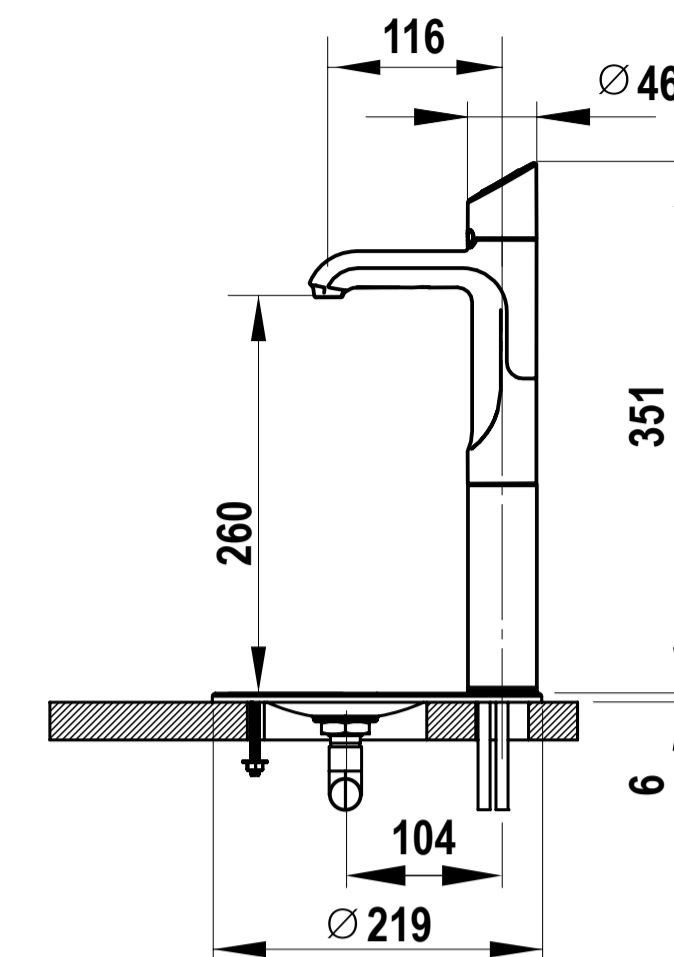


Font options

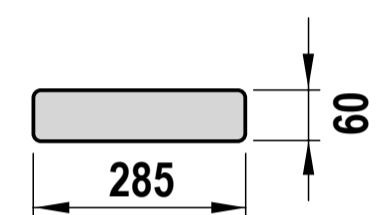
Raised Font with 135mm Extension



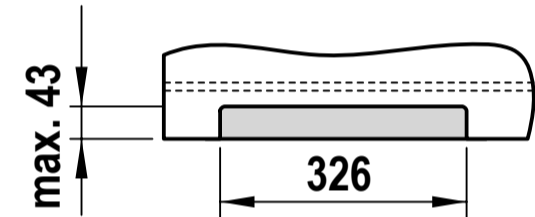
Font with 135mm Extension



Air outlet louvre (if required)
Cut-out in door/wall, towards the top of the cabinet



Air inlet cut-out (required)
Cut-out in cabinet floor



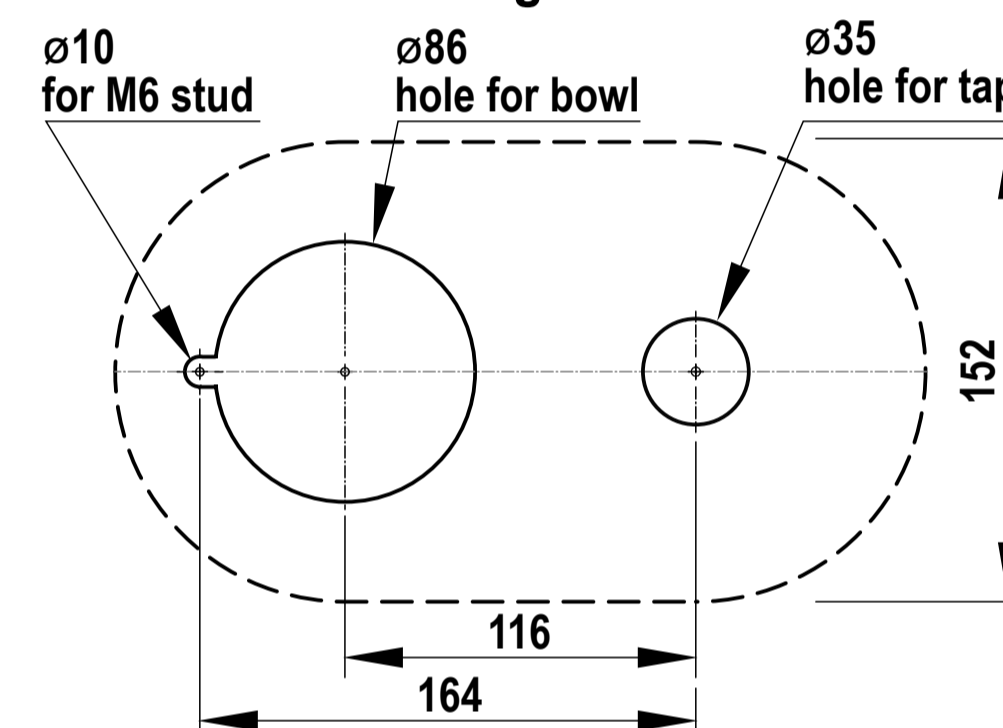
Tap Positioning

Position the Tap to dispense into the sink, allowing clearance for a cup or teapot. Alternatively, mount the HydroTap Tap on a Font (available as an accessory).

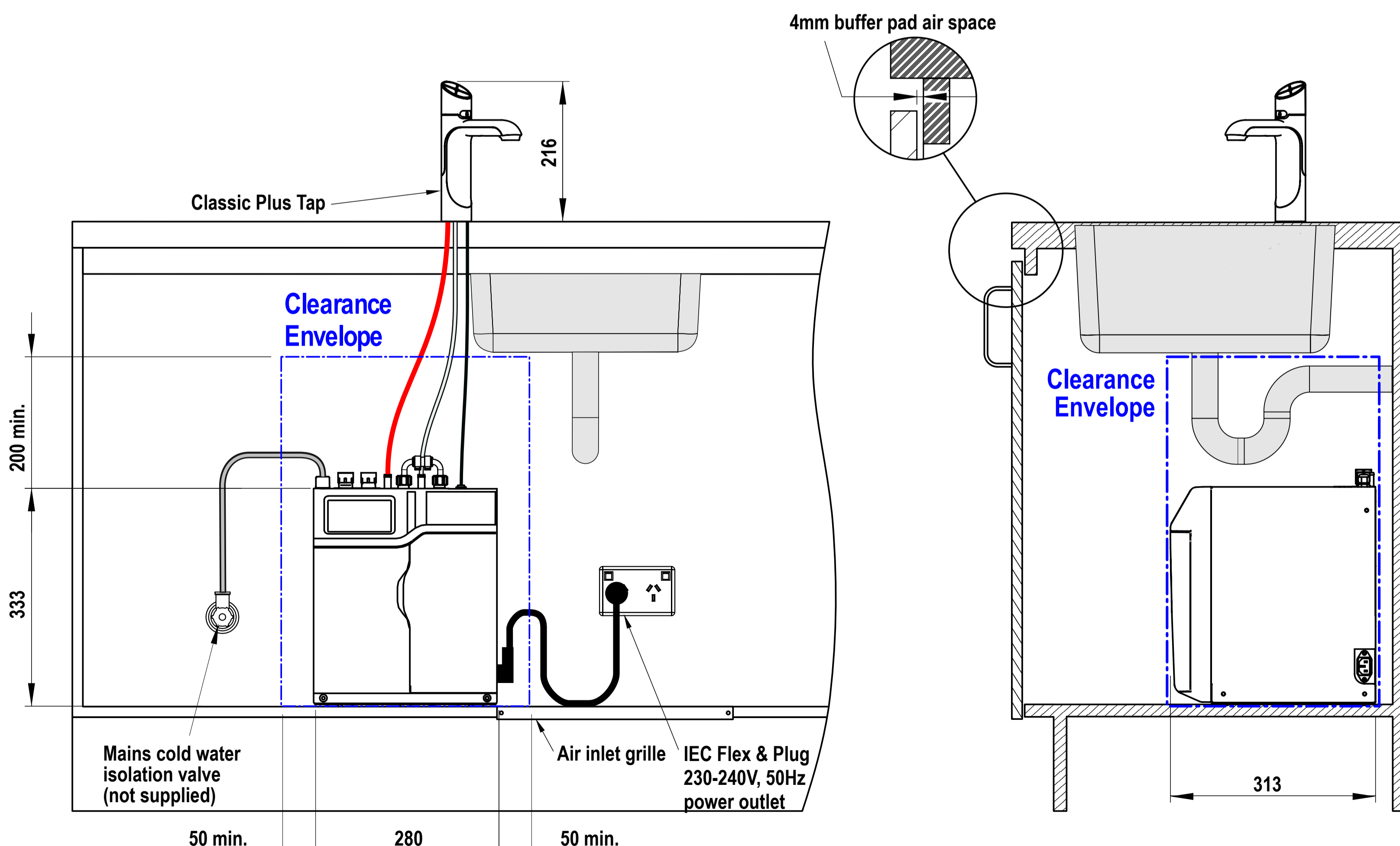
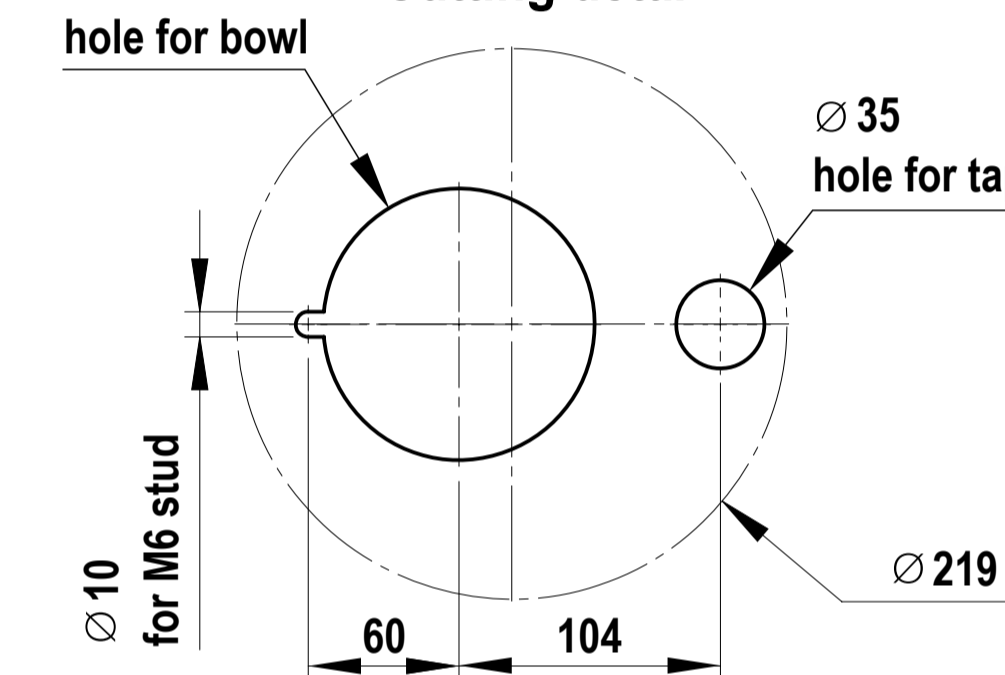
35mm hole for HydroTap Tap



Cutting detail



Cutting detail



**HydroTap G5
B Home, BA Home**

shown with "Classic Plus" Tap

SCALE 1:5
ALL DIMENSIONS IN MM UNLESS OTHERWISE SPECIFIED. INSTALLATION DIAGRAMS ARE FOR ILLUSTRATIVE PURPOSES ONLY. HOSES ARE NOT SHOWN TO SCALE AND CANNOT BE LENGTHENED.