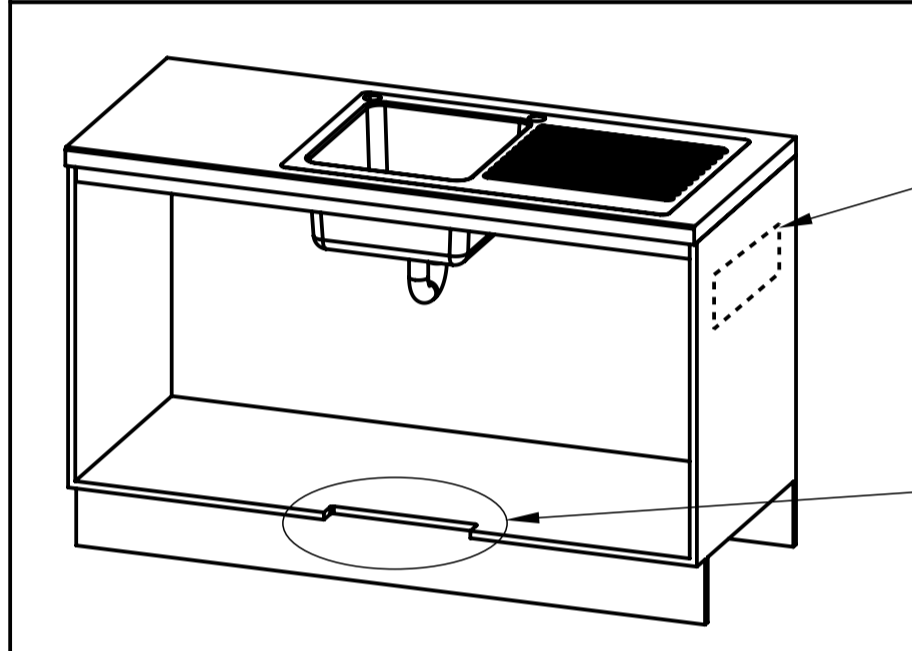
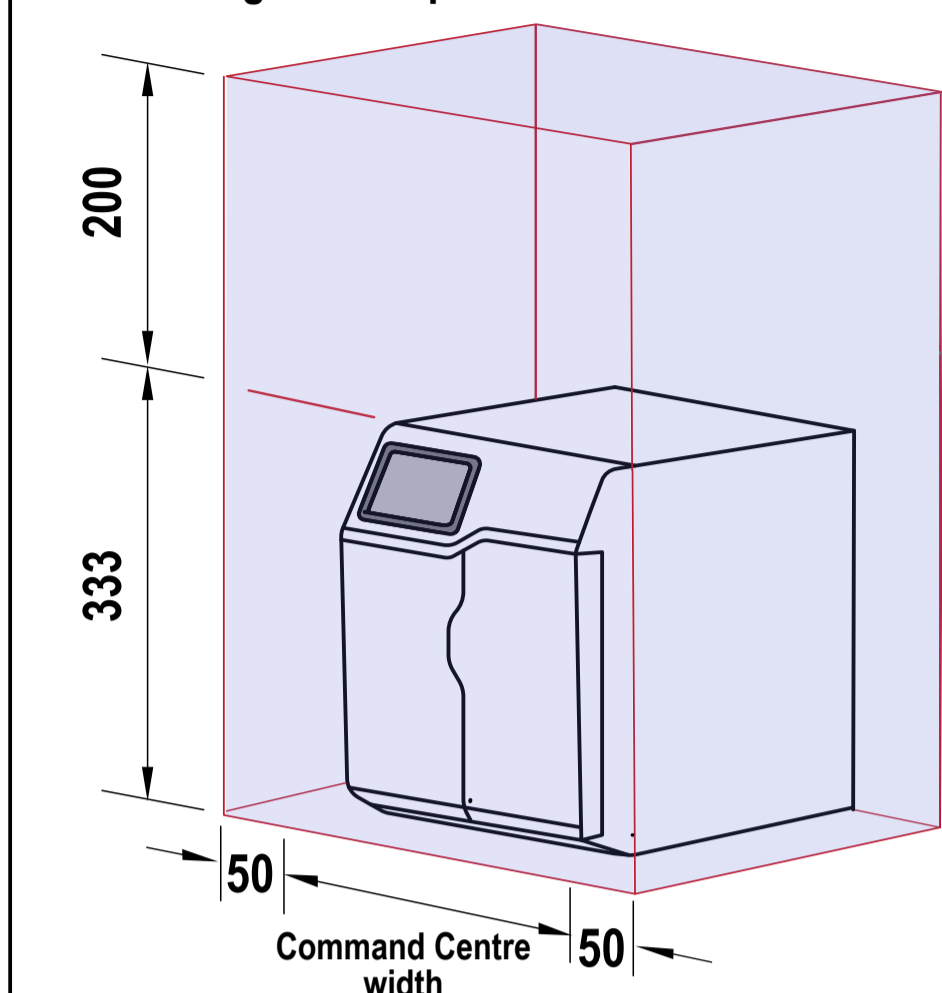


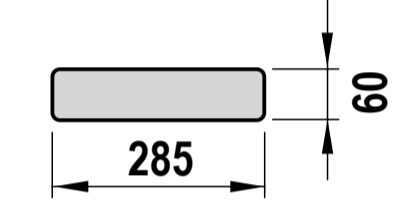
Ventilation requirements Contact your local service provider if ventilation is not suitable

Clearance envelope

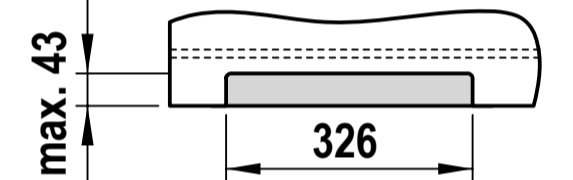
Position the Tap and the Command Centre as close together as possible.



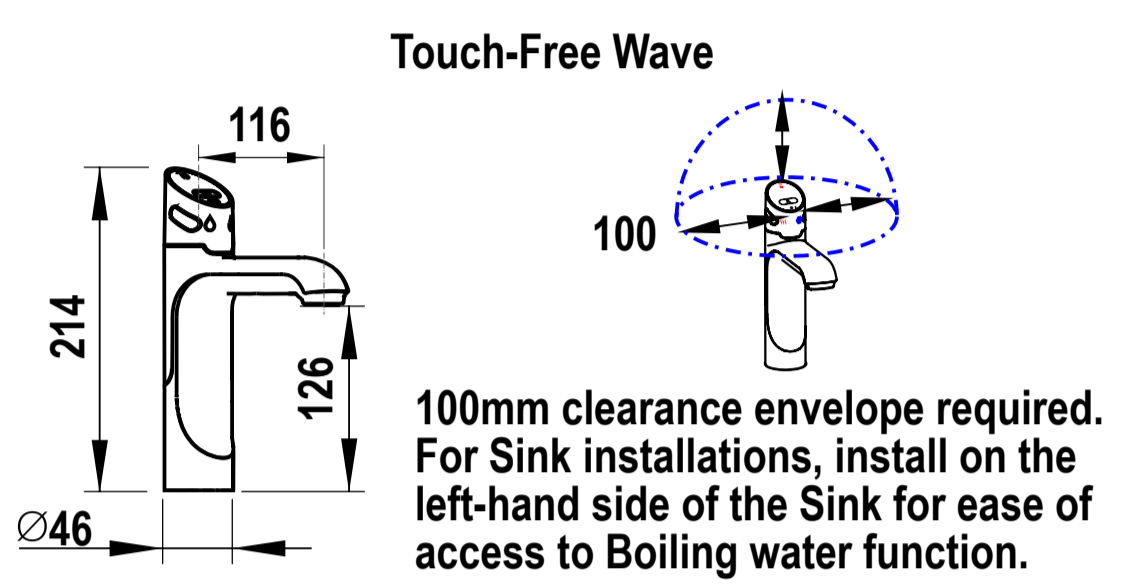
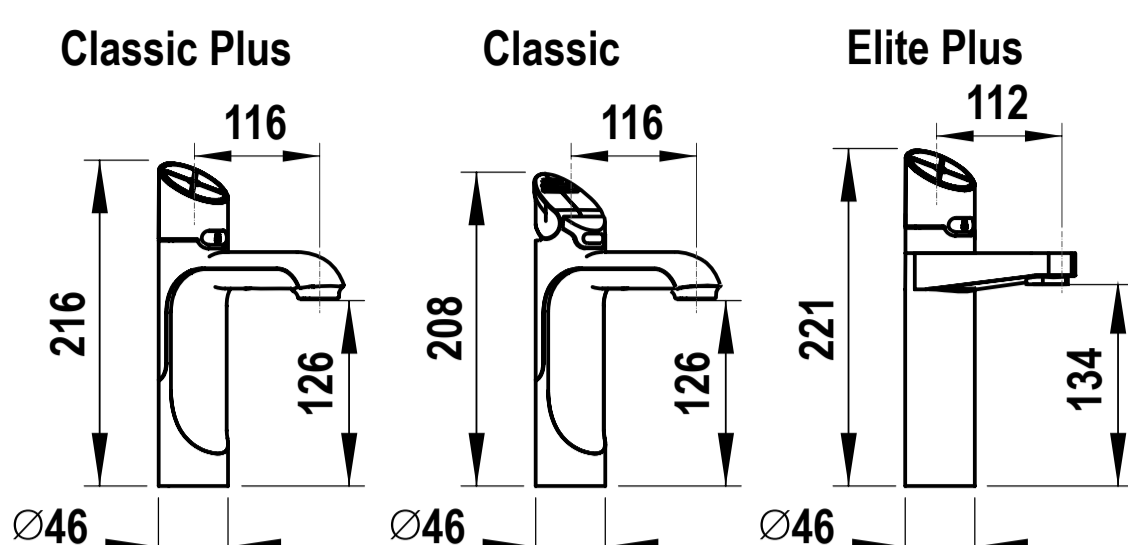
Air outlet louvre (if required)
Cut-out in door/wall, towards the top of the cabinet



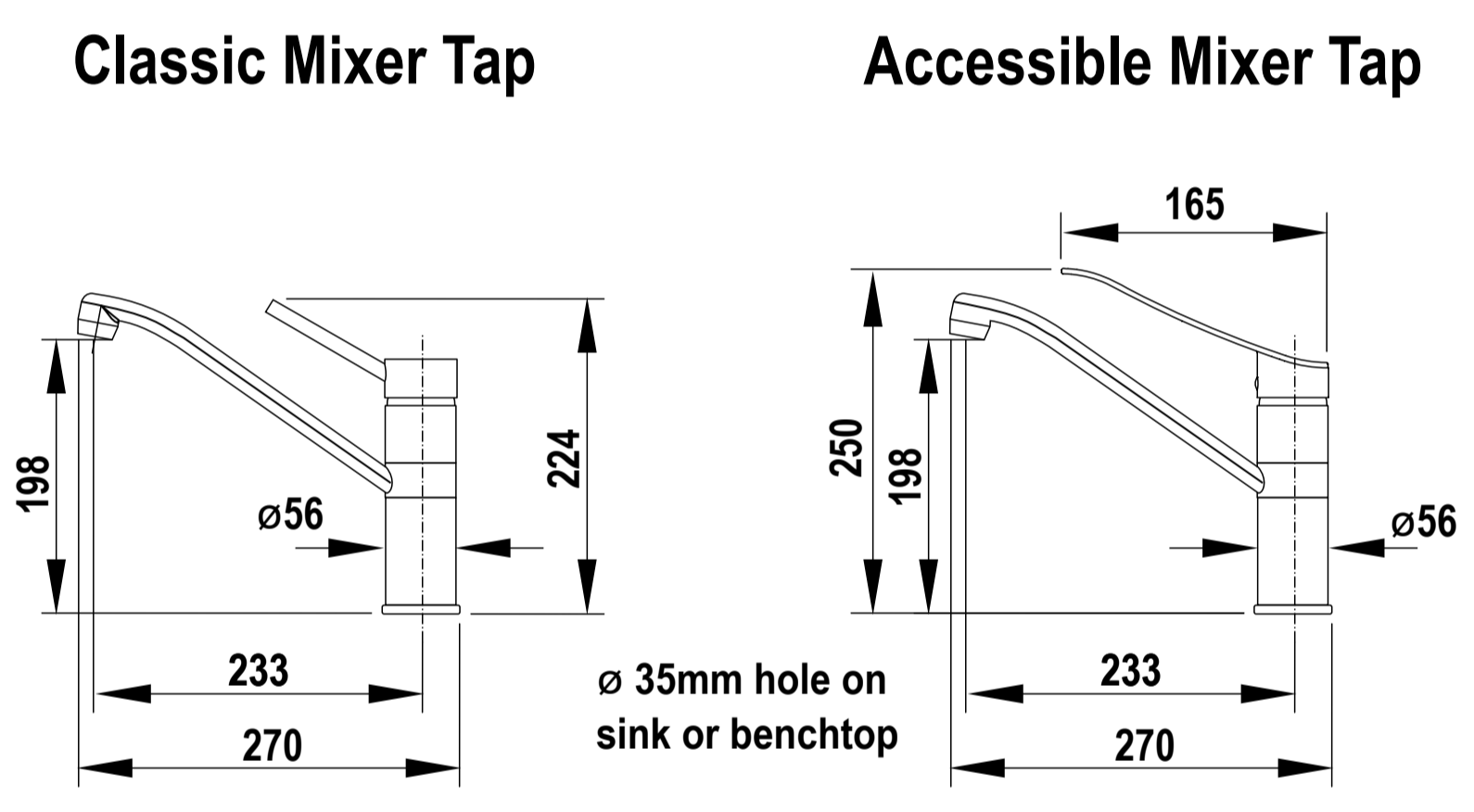
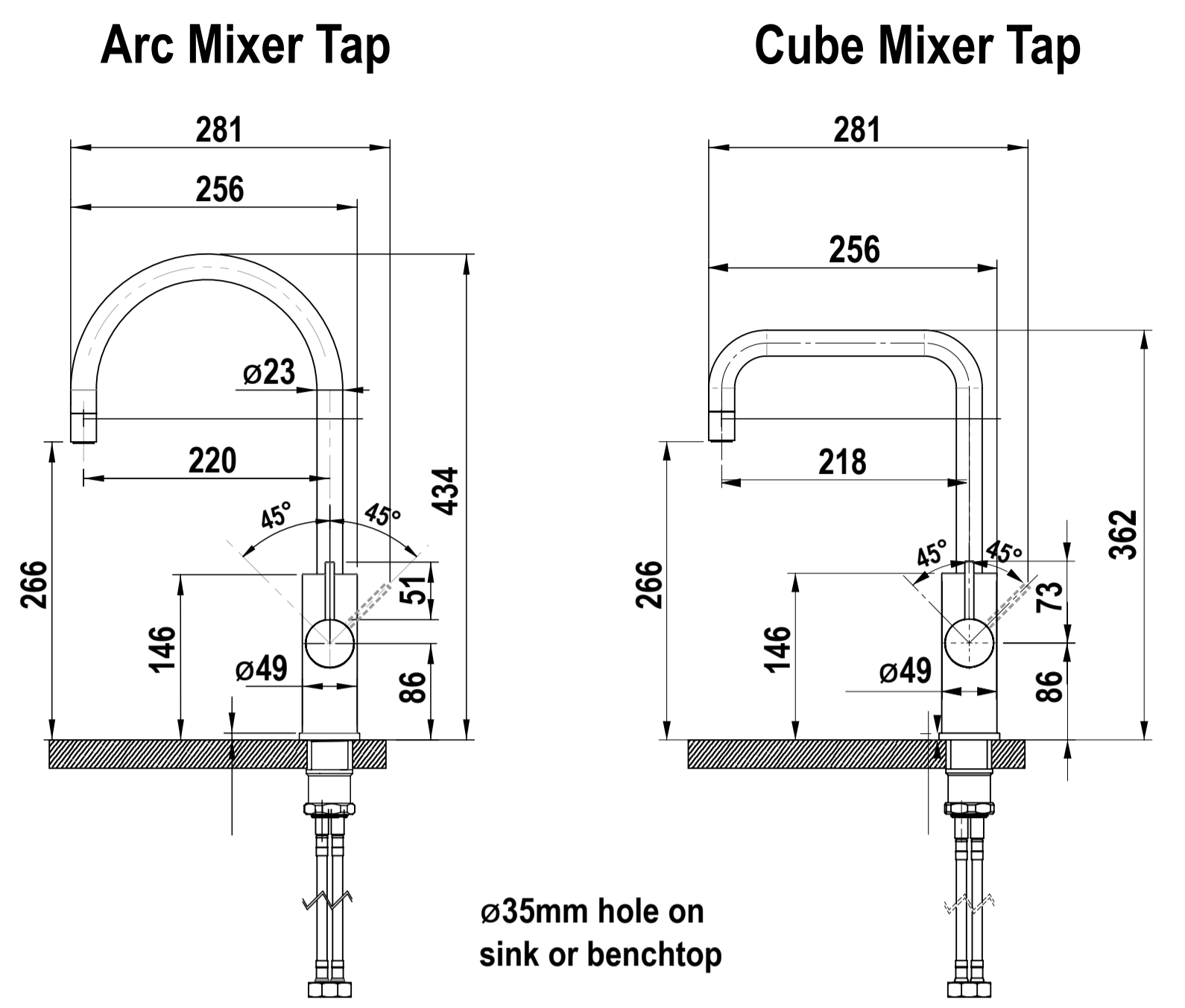
Air inlet cut-out (required)
Cut-out in cabinet floor



HydroTap Tap options

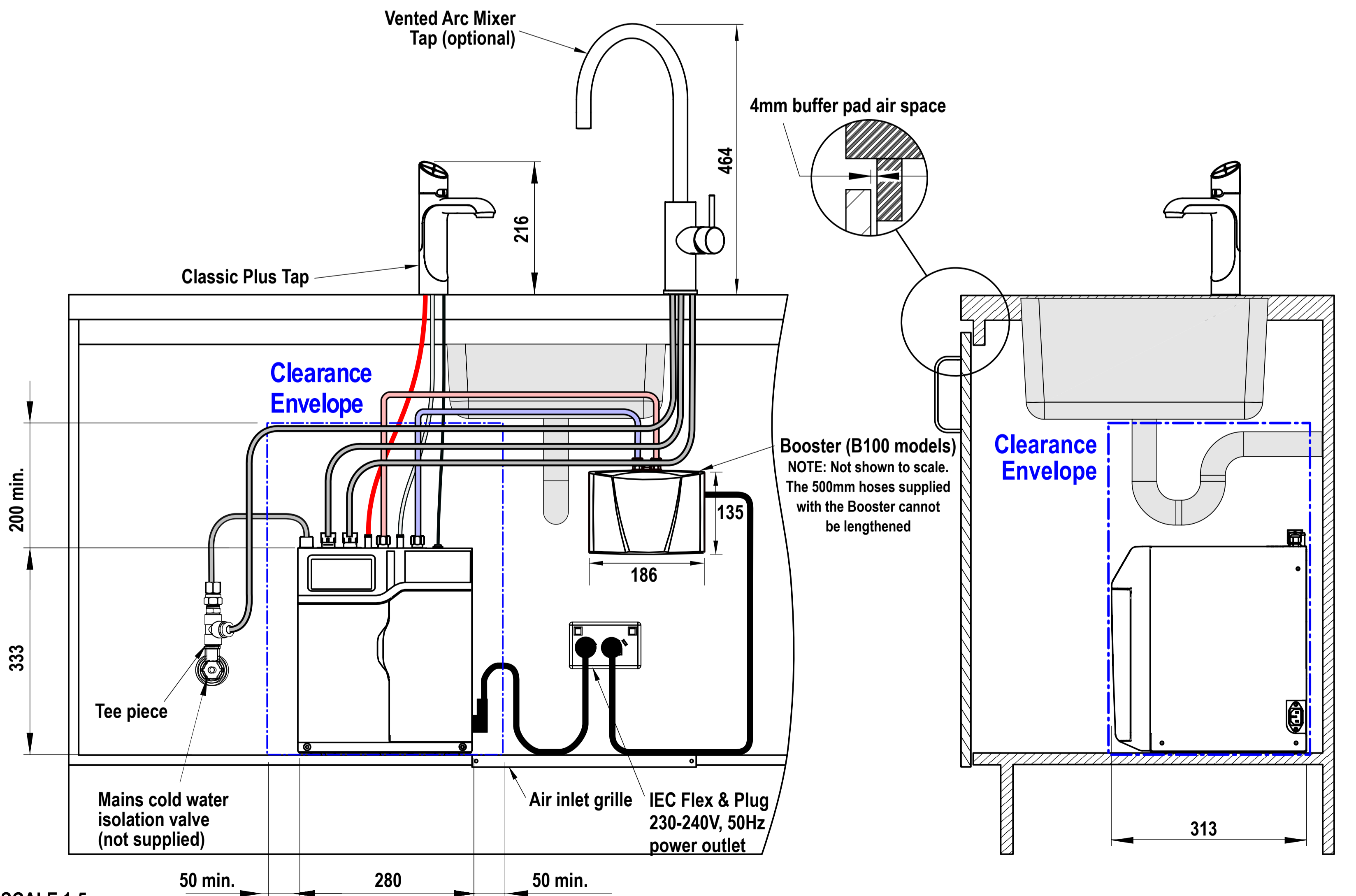


Mixer Tap options

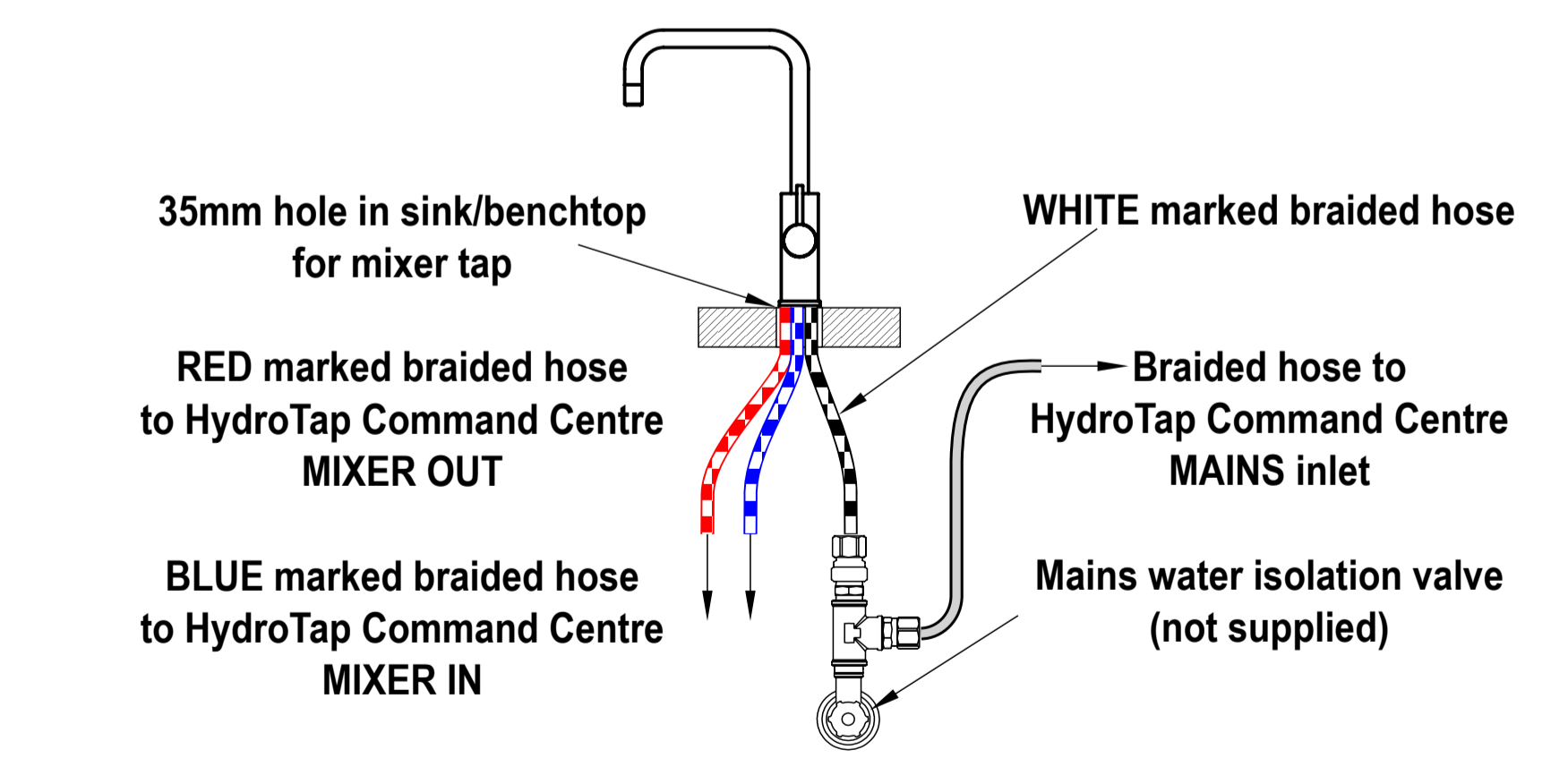


Tap Positioning

Position the Tap to dispense into the sink, allowing clearance for a cup or teapot. Alternatively, mount the HydroTap Tap on a Font (available as an accessory).



Vented mixer tap installation
Only cold water supply required



**HydroTap G5
B60 H, B100 H**

shown with "Classic Plus" Tap and Arc Mixer Tap (V)

SCALE 1:5
ALL DIMENSIONS IN MM UNLESS OTHERWISE SPECIFIED. INSTALLATION DIAGRAMS ARE FOR ILLUSTRATIVE PURPOSES ONLY. HOSES ARE NOT SHOWN TO SCALE AND CANNOT BE LENGTHENED.