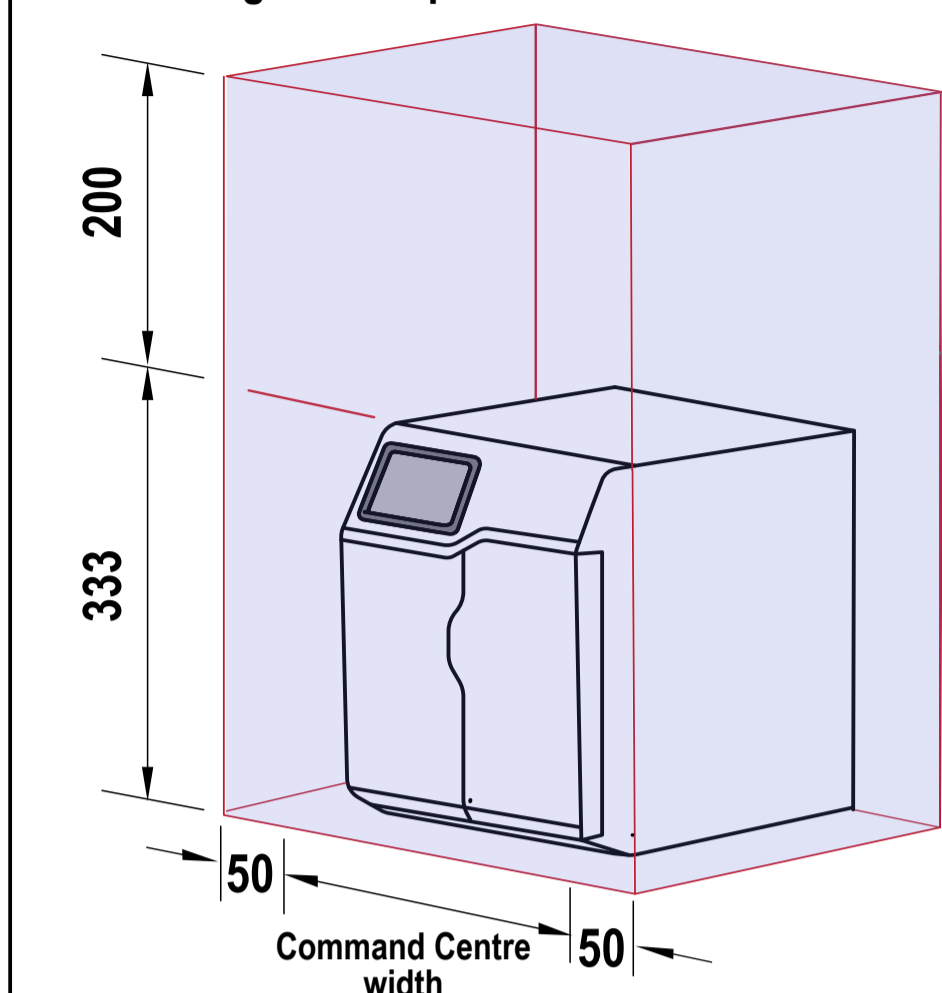


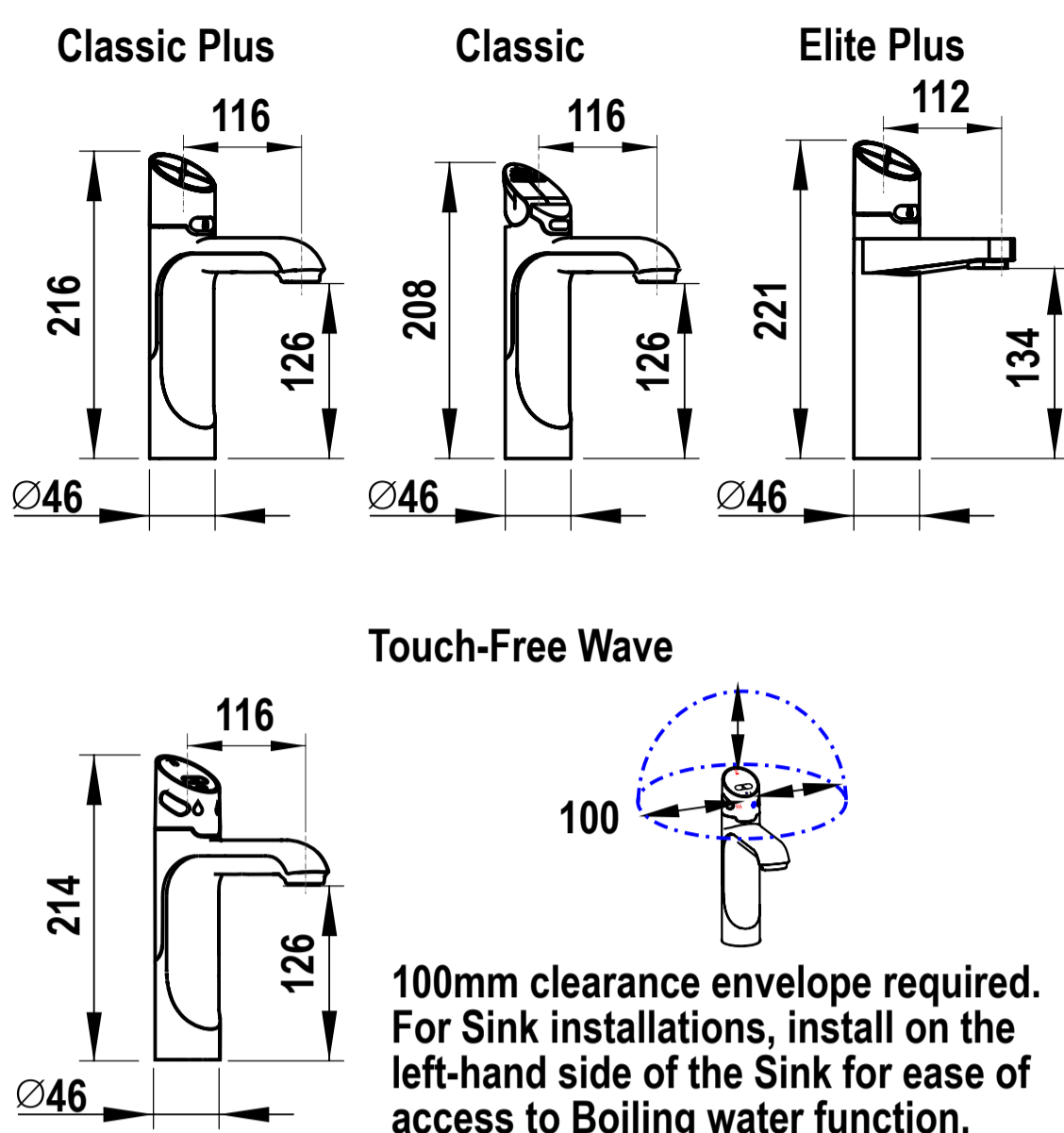
**Ventilation requirements** Contact your local service provider if ventilation is not suitable

**Clearance envelope**

Position the Tap and the Command Centre as close together as possible.

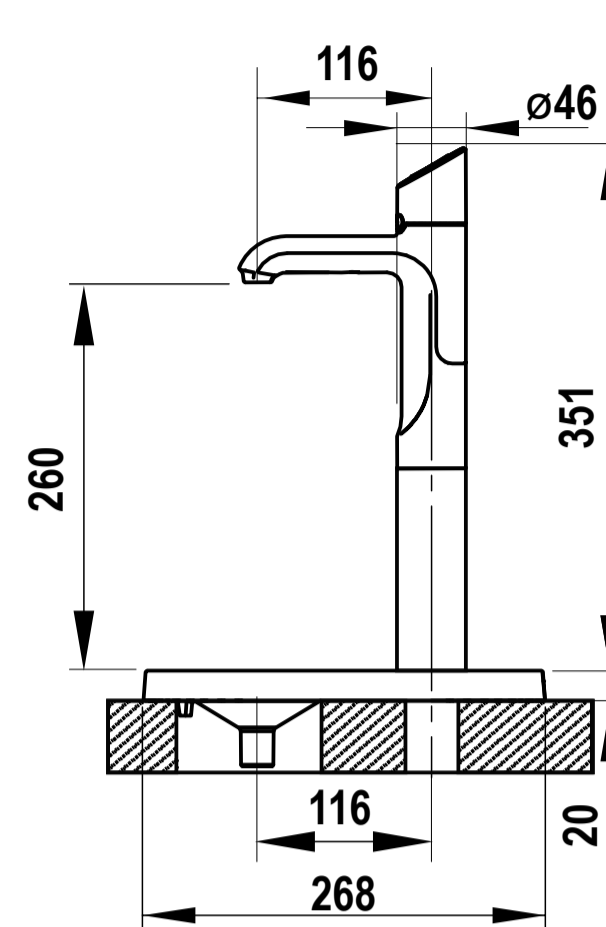


**HydroTap Tap options**

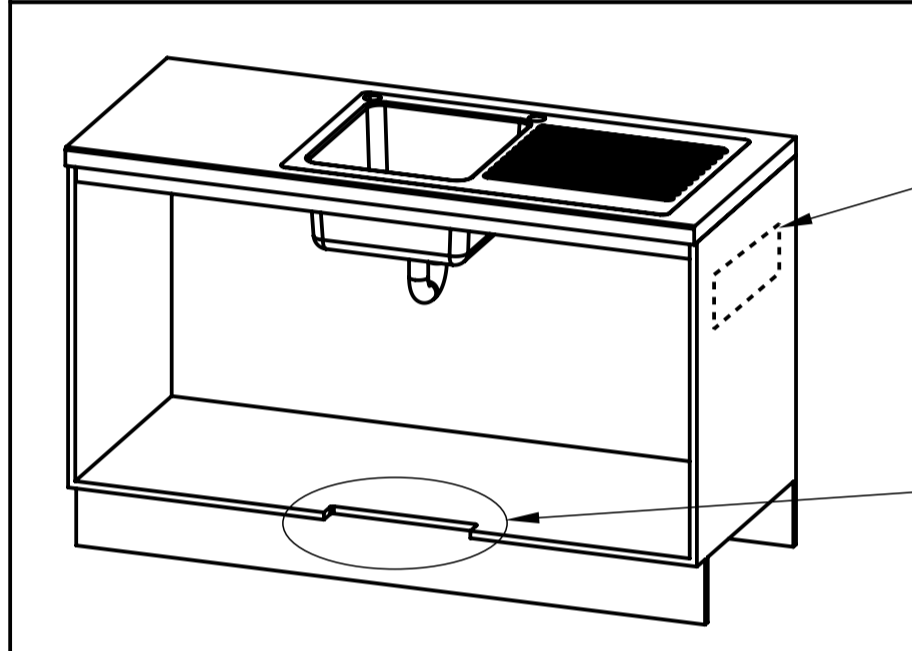
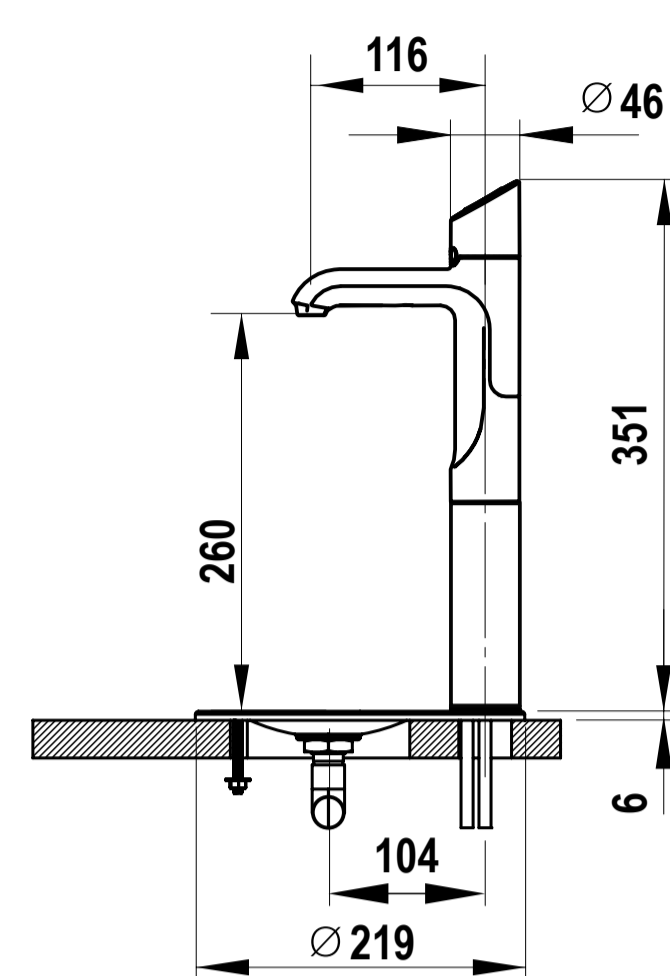


**Font options**

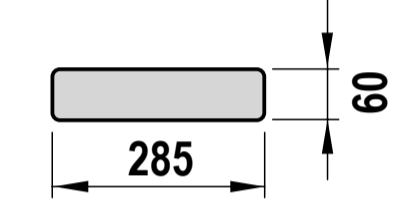
**Raised Font with 135mm Extension part no. 95258**



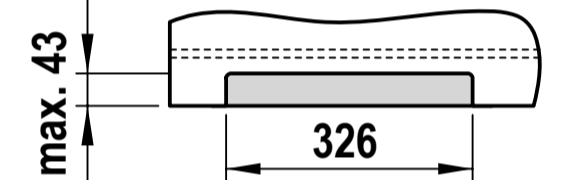
**Font with 135mm Extension part no. 90915**



**Air outlet louvre (if required)**  
Cut-out in door/wall, towards the top of the cabinet



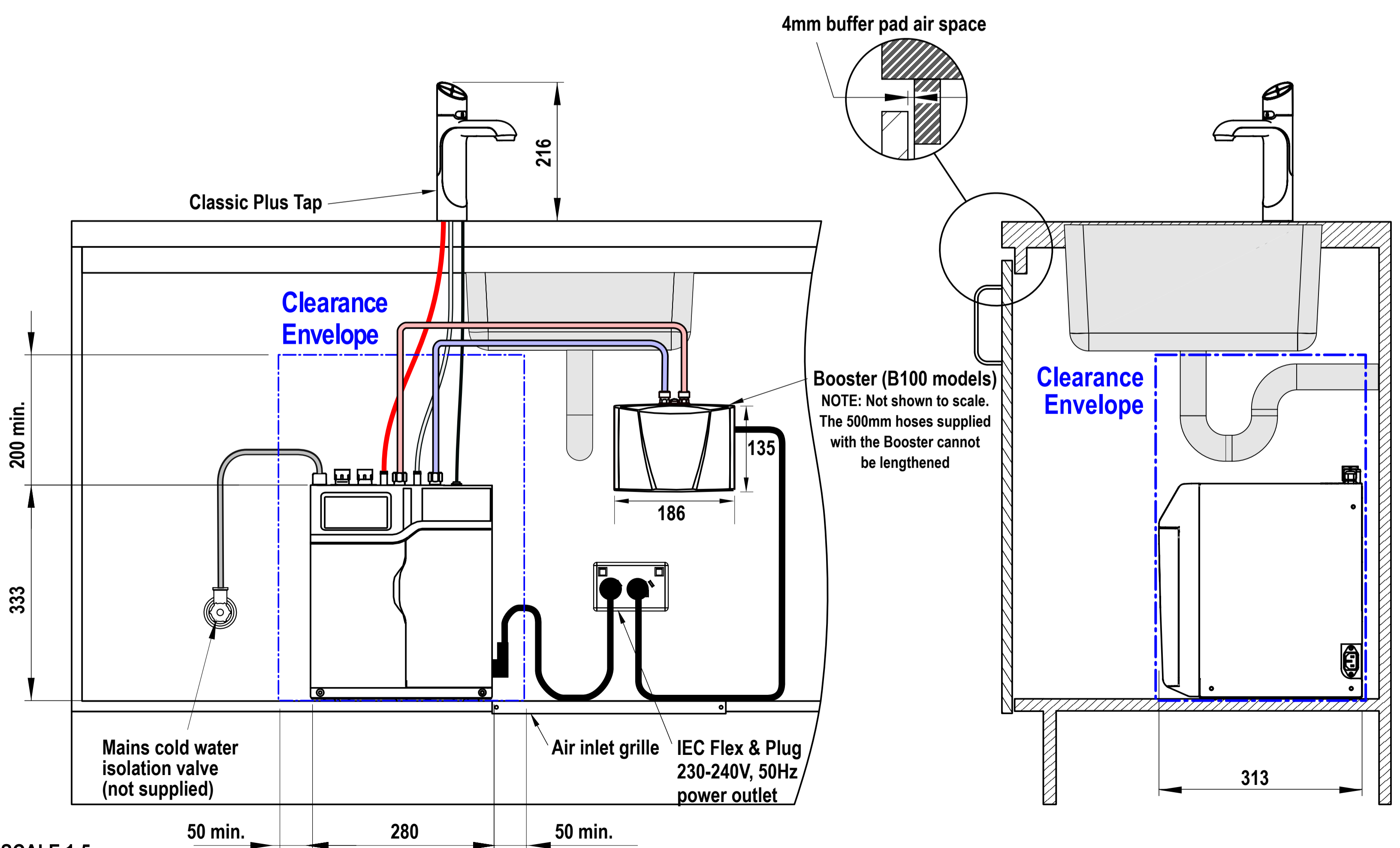
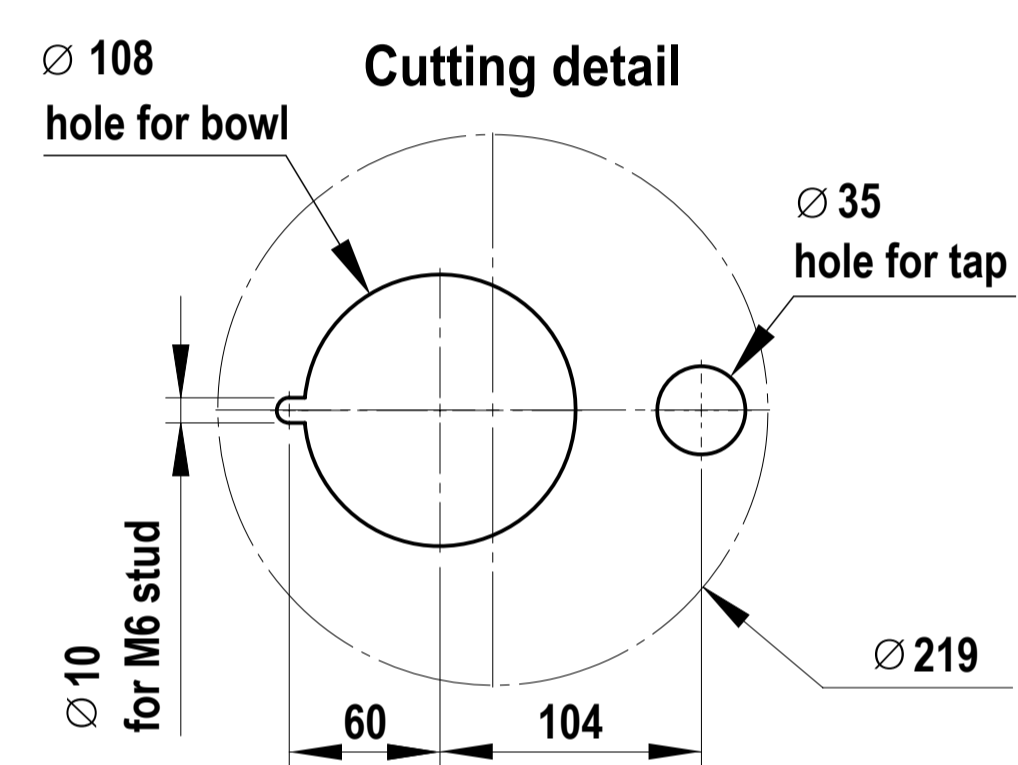
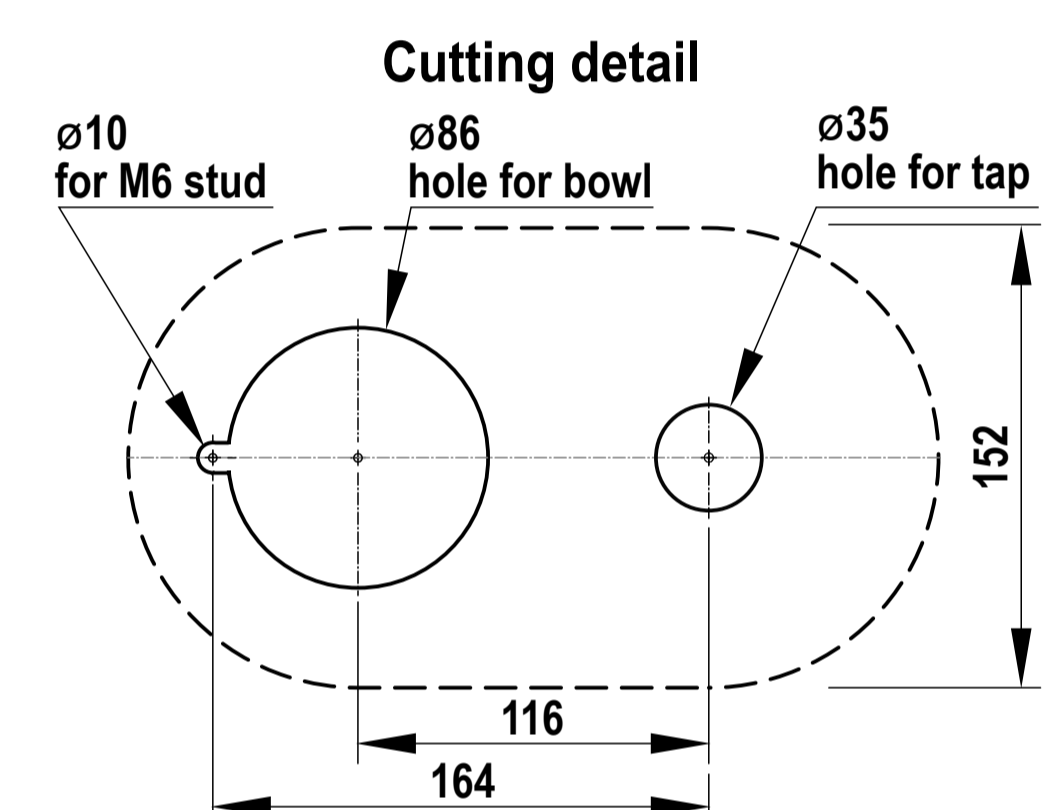
**Air inlet cut-out (required)**  
Cut-out in cabinet floor



**Tap Positioning**

Position the Tap to dispense into the sink, allowing clearance for a cup or teapot. Alternatively, mount the HydroTap Tap on a Font (available as an accessory).

Ø35mm hole for HydroTap Tap



**HydroTap G5  
B60, B100, BA60, BA100**

shown with "Classic Plus" Tap

SCALE 1:5  
ALL DIMENSIONS IN MM UNLESS OTHERWISE SPECIFIED. INSTALLATION DIAGRAMS ARE FOR ILLUSTRATIVE PURPOSES ONLY. HOSES ARE NOT SHOWN TO SCALE AND CANNOT BE LENGTHENED.