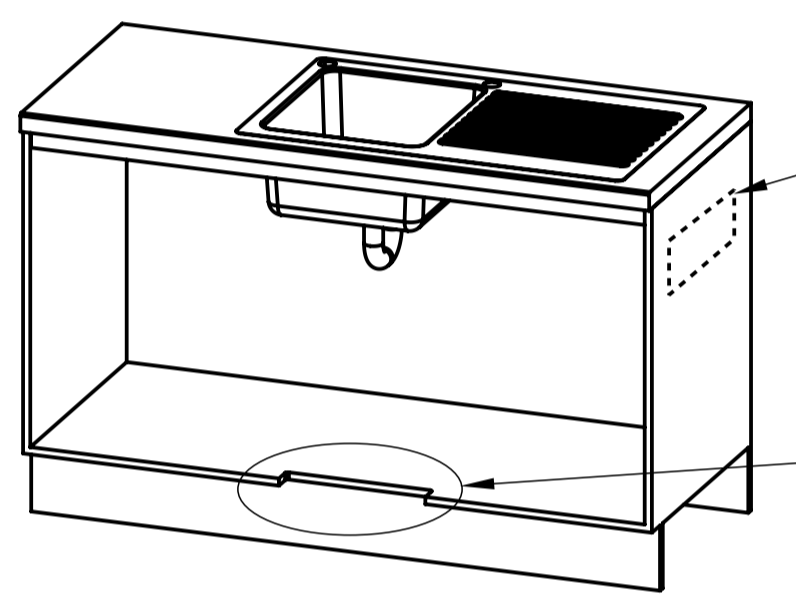
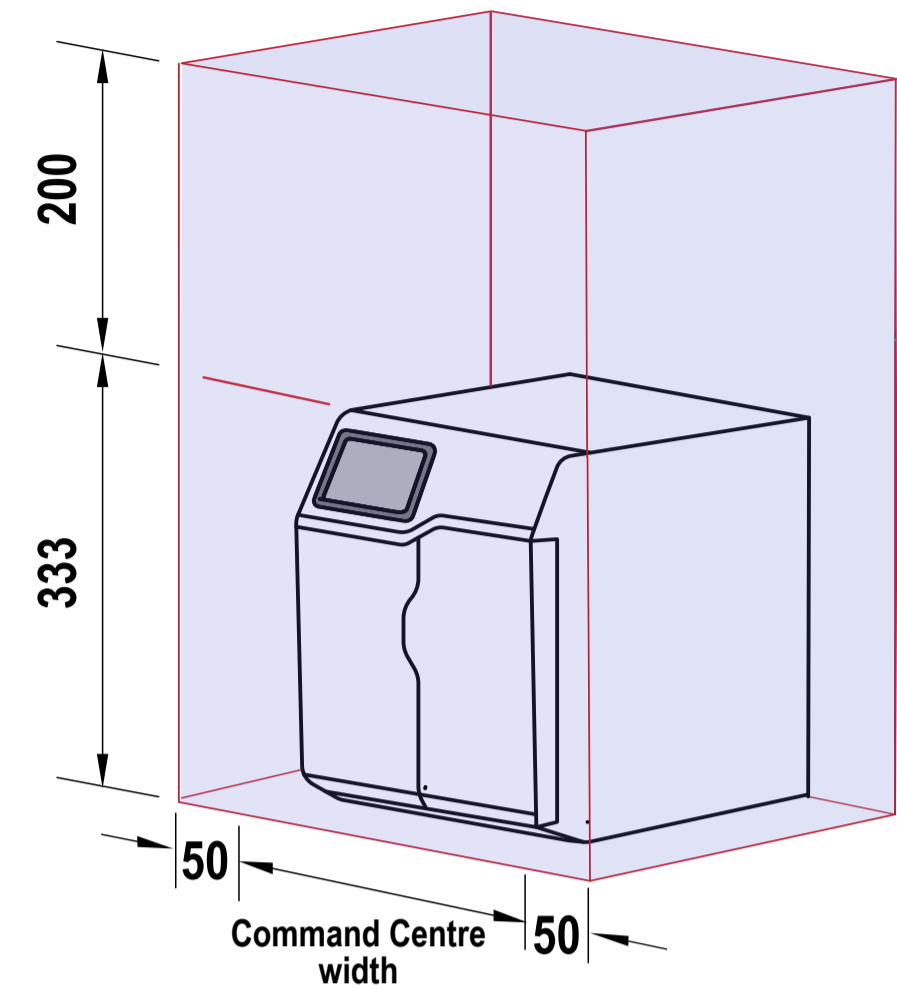


Ventilation requirements Contact your local service provider if ventilation is not suitable

Clearance envelope

Position the Tap and the Command Centre as close together as possible.

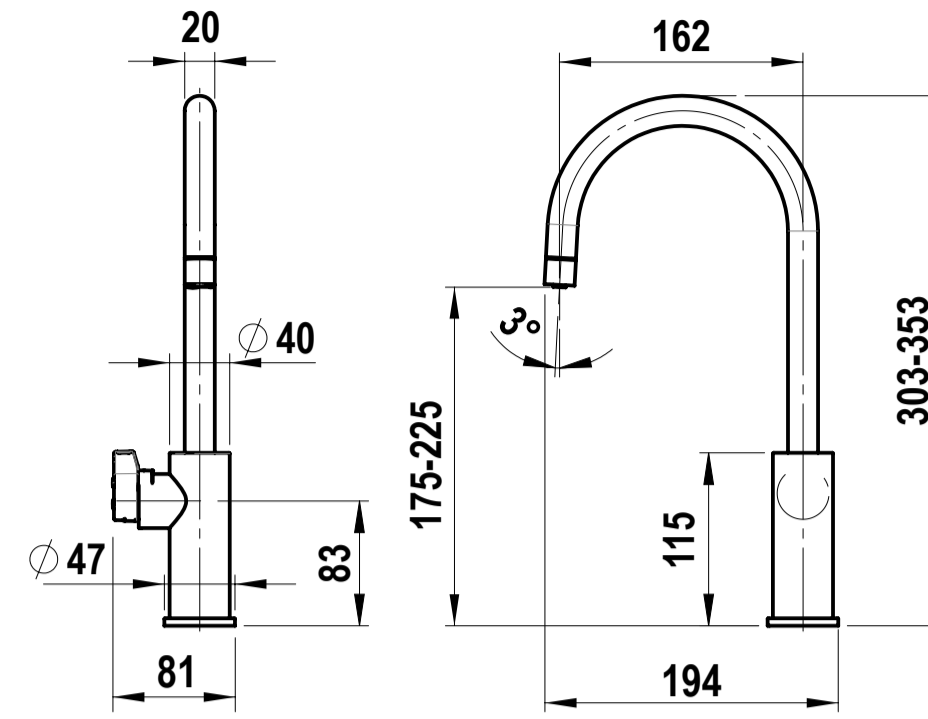


Air outlet louvre (if required)
Cut-out in door/wall, towards the top of the cabinet

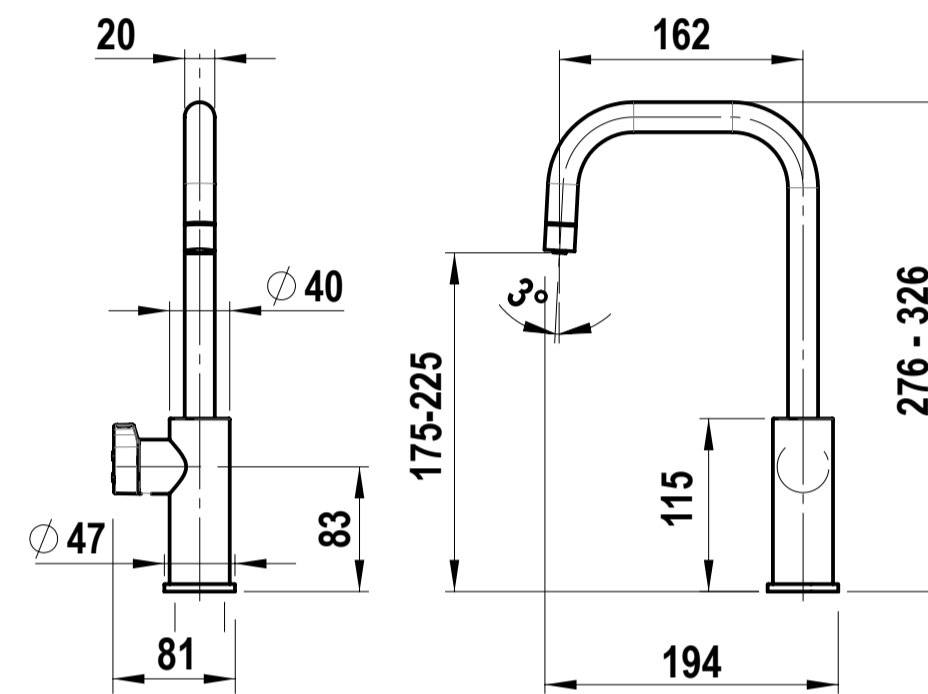
Air inlet cut-out (required)
Cut-out in cabinet floor

HydroTap Tap options

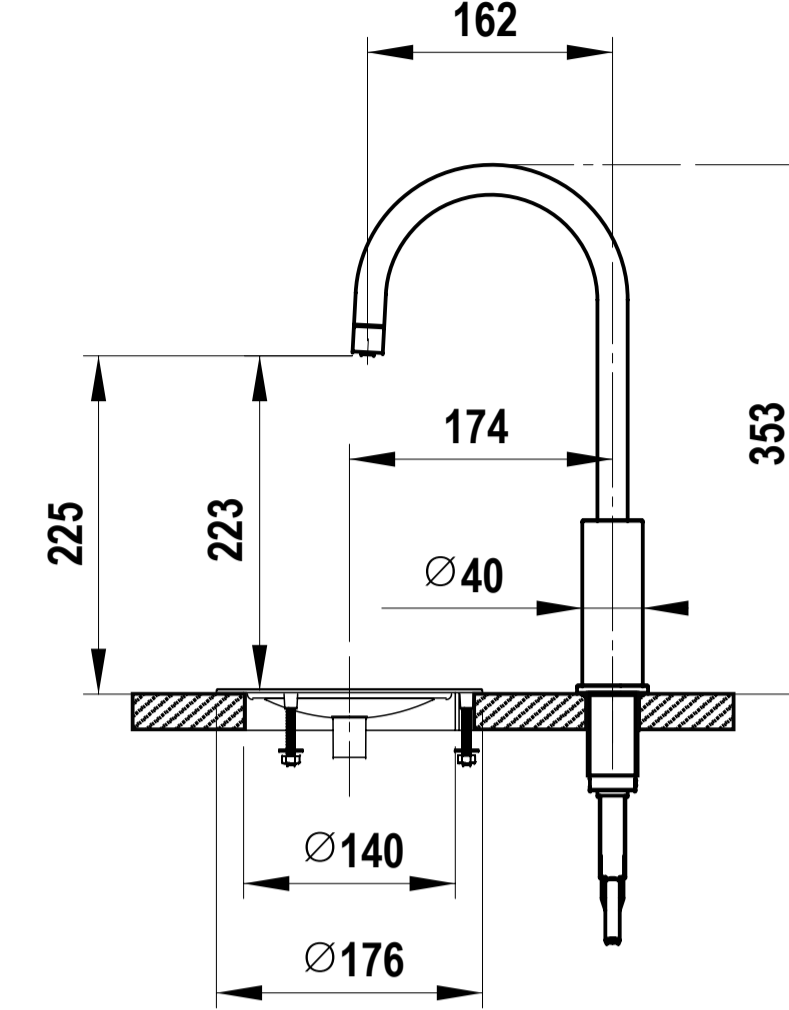
HydroTap Arc Tap



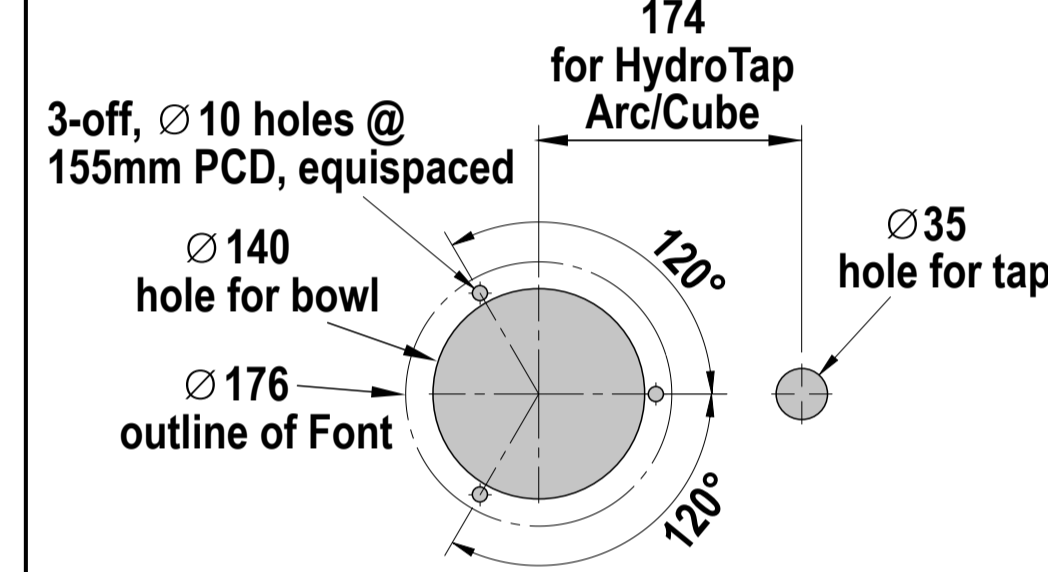
HydroTap Cube Tap



Standalone Font with Arc Tap



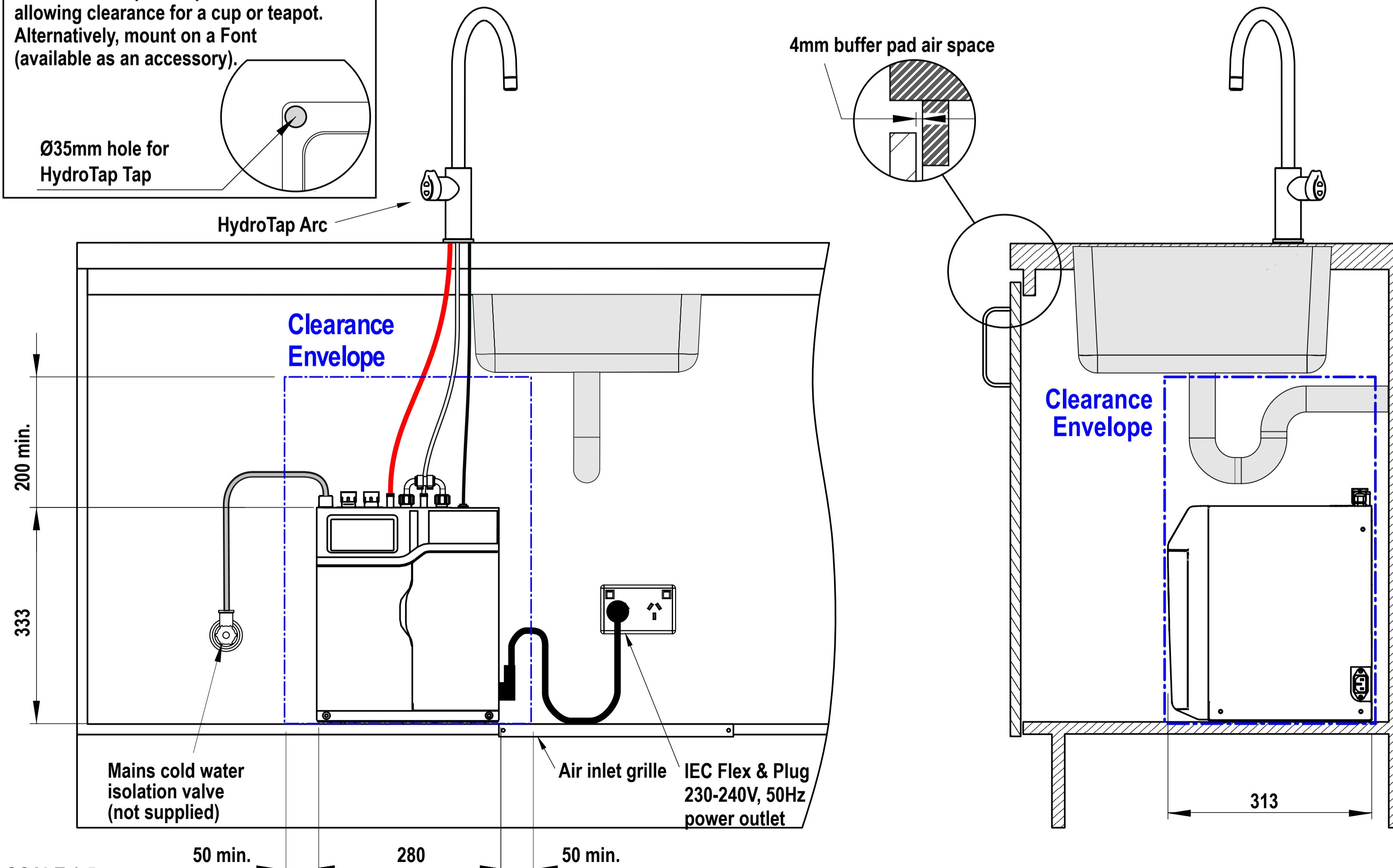
Cutting detail



Tap Positioning

Position the Tap to dispense into the sink, allowing clearance for a cup or teapot. Alternatively, mount on a Font (available as an accessory).

Ø35mm hole for HydroTap Tap



SCALE 1:5

ALL DIMENSIONS IN MM UNLESS OTHERWISE SPECIFIED. INSTALLATION DIAGRAMS ARE FOR ILLUSTRATIVE PURPOSES ONLY. HOSES ARE NOT SHOWN TO SCALE AND CANNOT BE LENGTHENED.

HydroTap G5
B Home, B60, B100
BA Home, BA60, BA100
shown with HydroTap Arc