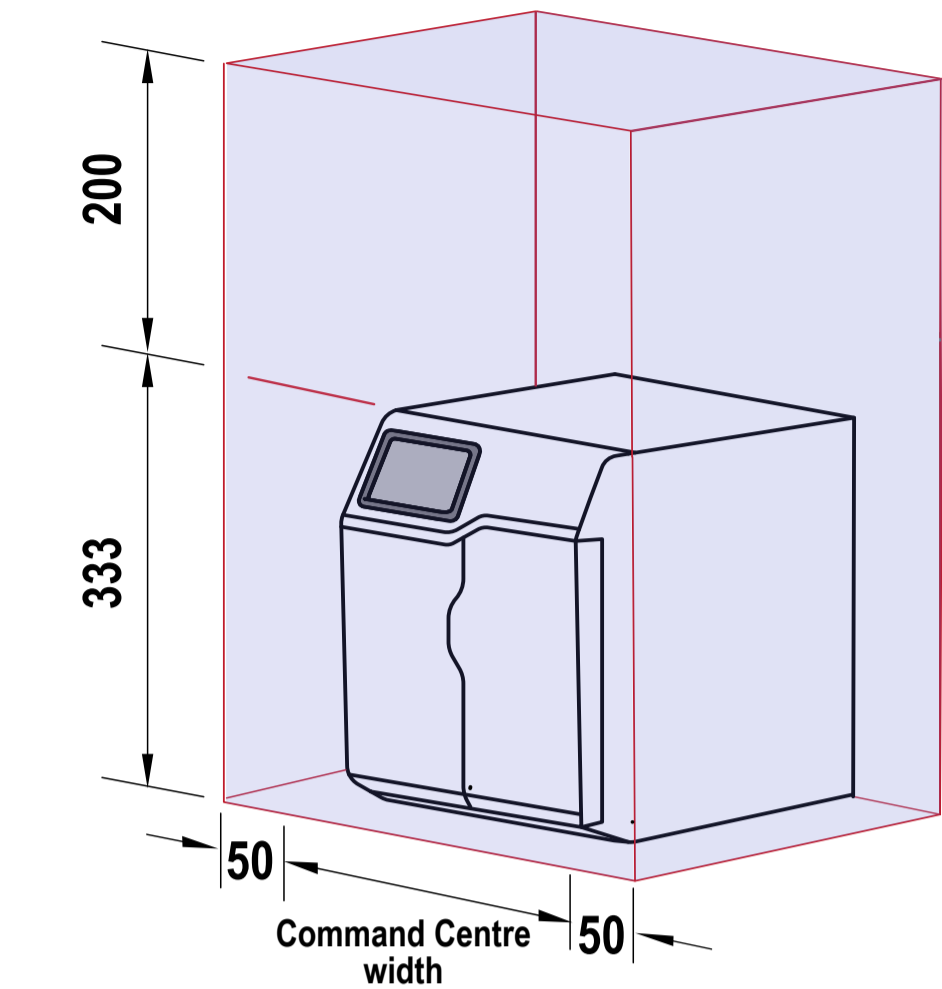


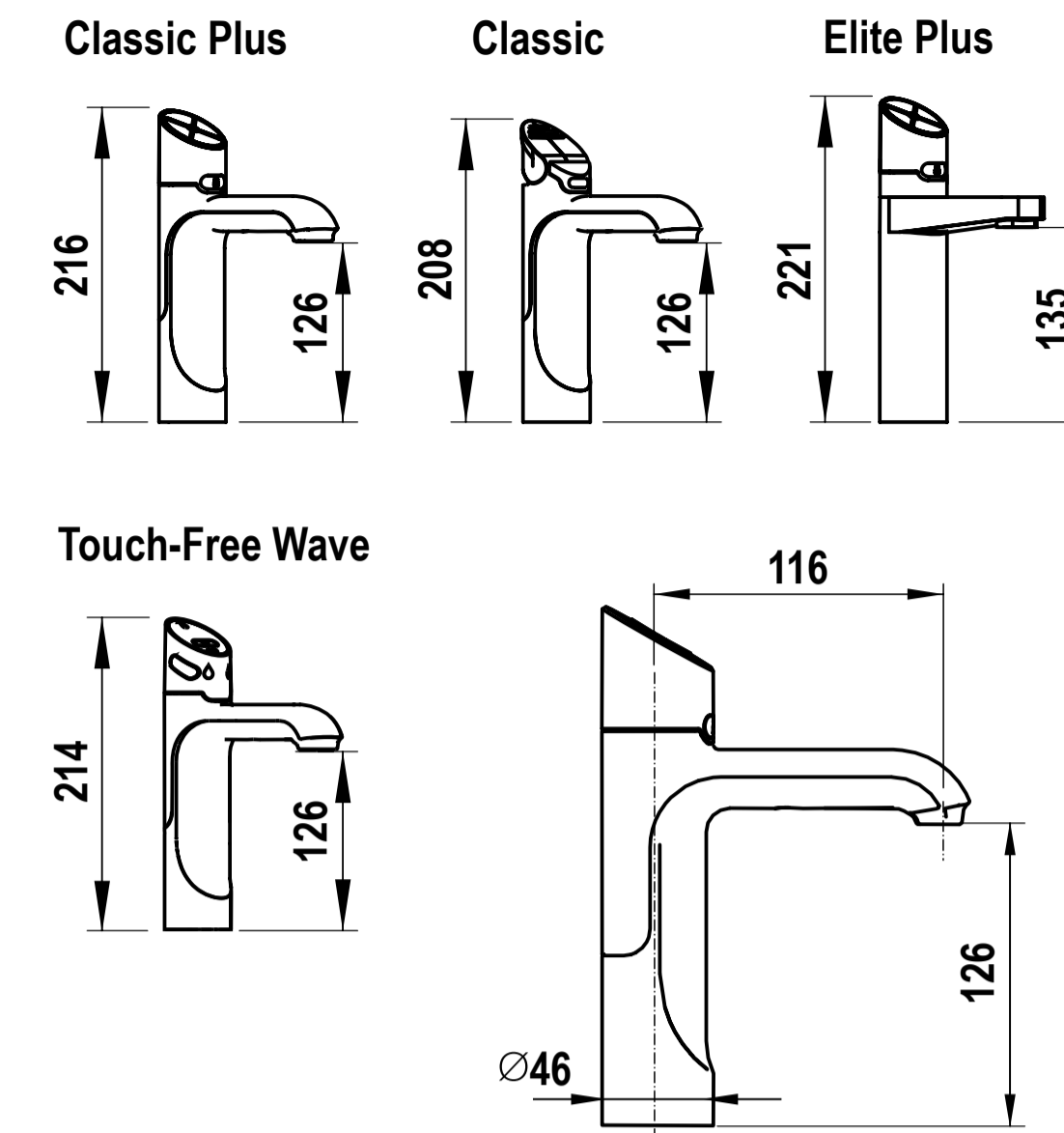
**Ventilation requirements** Contact your local service provider if ventilation is not suitable

**Clearance envelope**

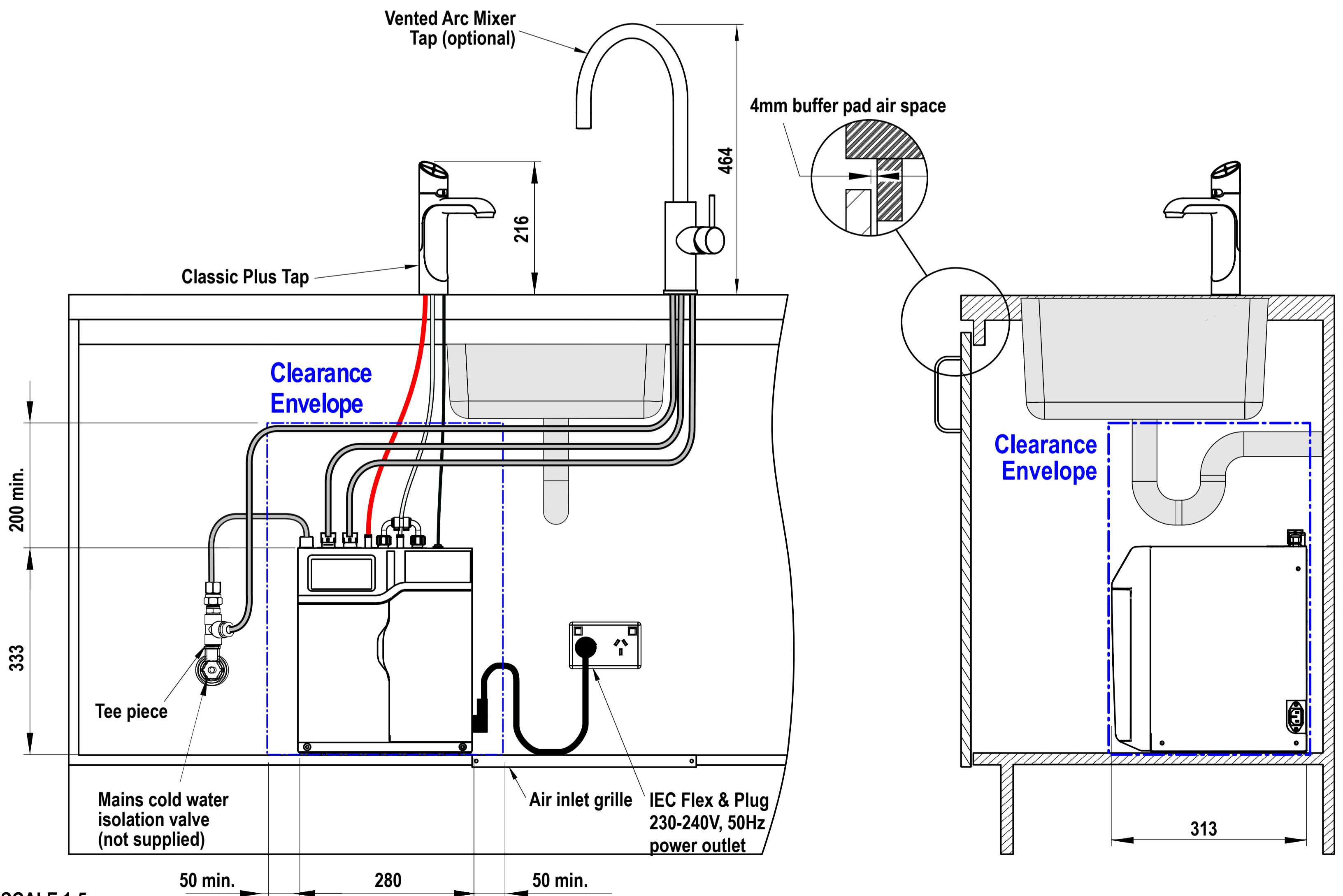
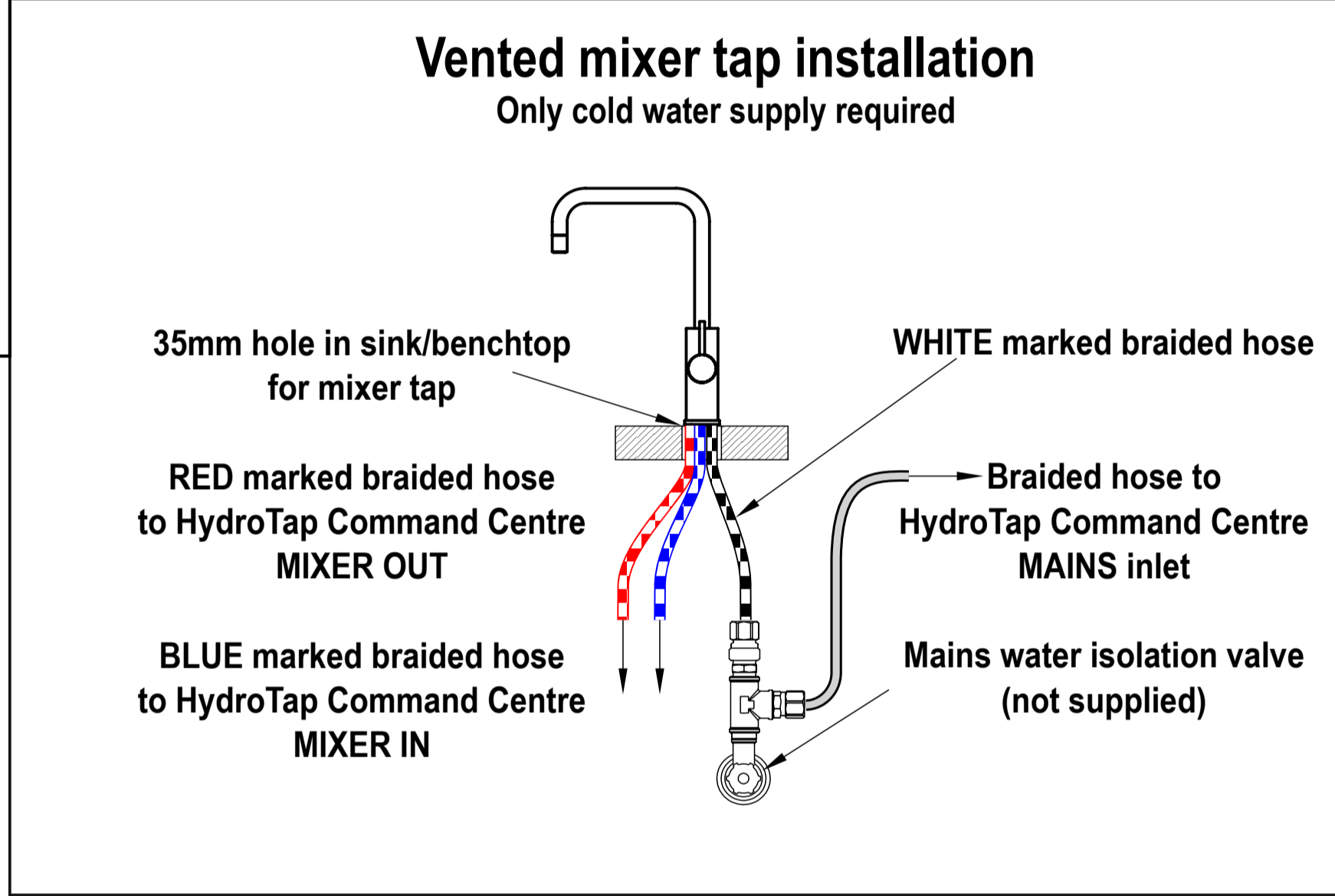
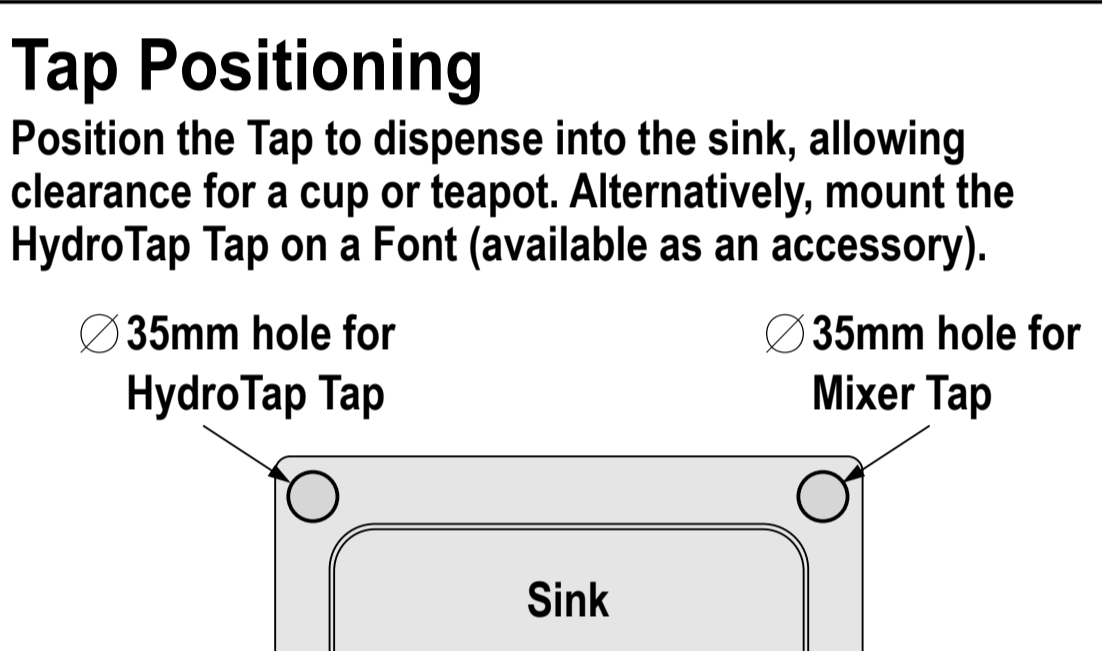
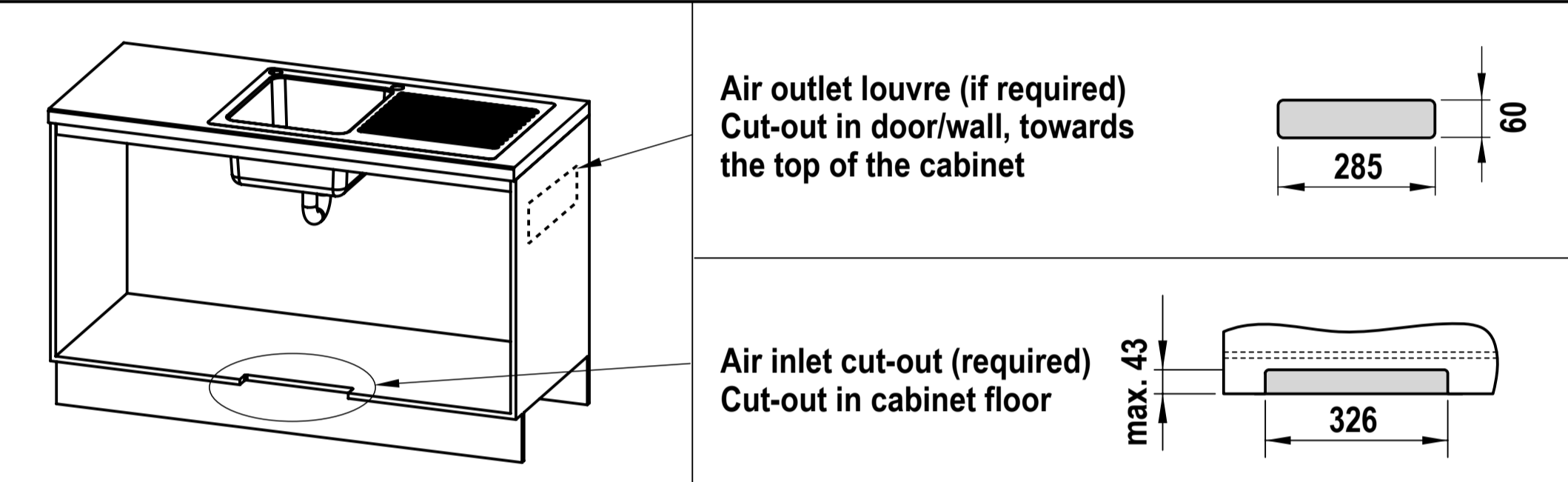
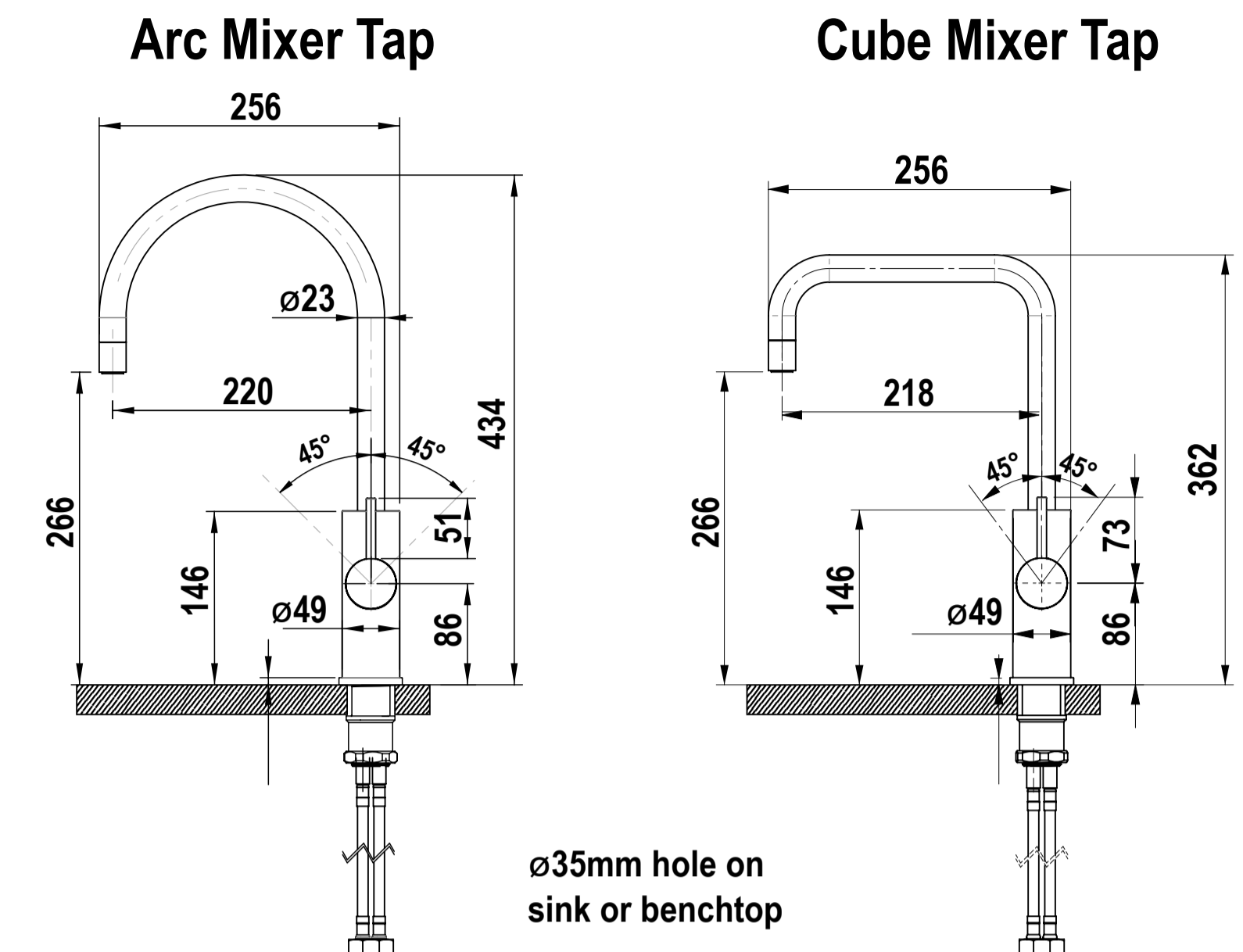
Position the Tap and the Command Centre as close together as possible.



**HydroTap Tap options**



**Mixer Tap options**



SCALE 1:5  
ALL DIMENSIONS IN MM UNLESS OTHERWISE SPECIFIED. INSTALLATION DIAGRAMS ARE FOR ILLUSTRATIVE PURPOSES ONLY. HOSES ARE NOT SHOWN TO SCALE AND CANNOT BE LENGTHENED.

**HydroTap G5  
B60 H, B100 H**

shown with "Classic Plus" Tap and Arc Mixer Tap (V)