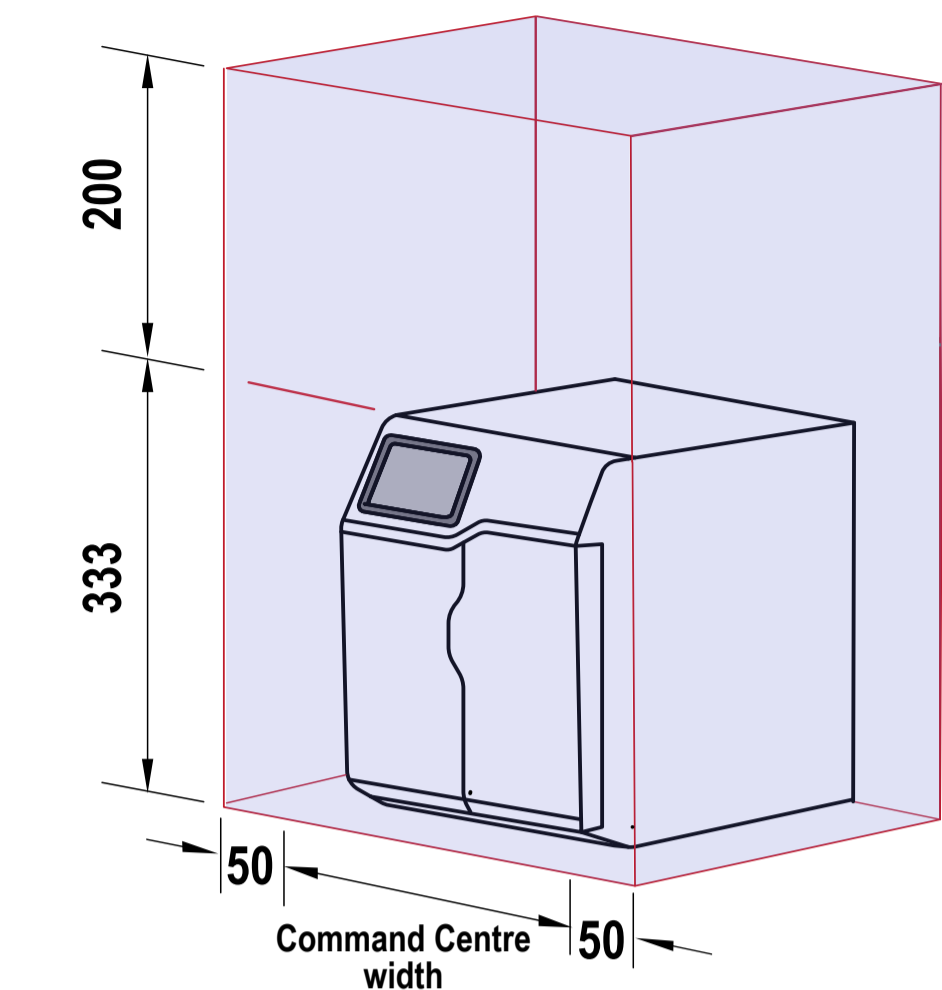


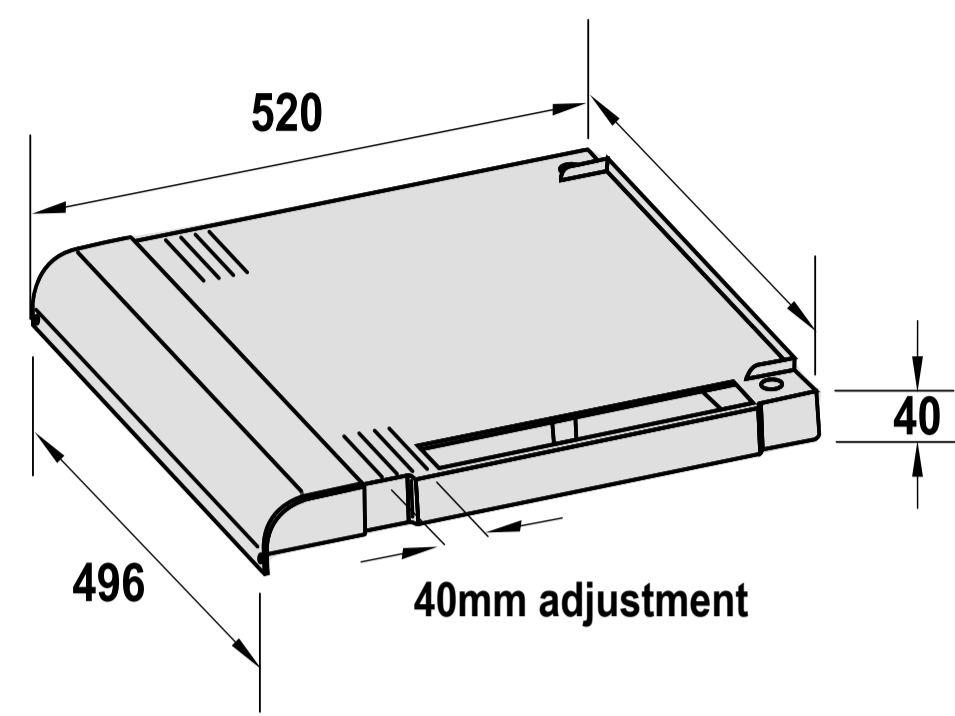
**Ventilation requirements** Contact your local service provider if ventilation is not suitable

**Clearance envelope**

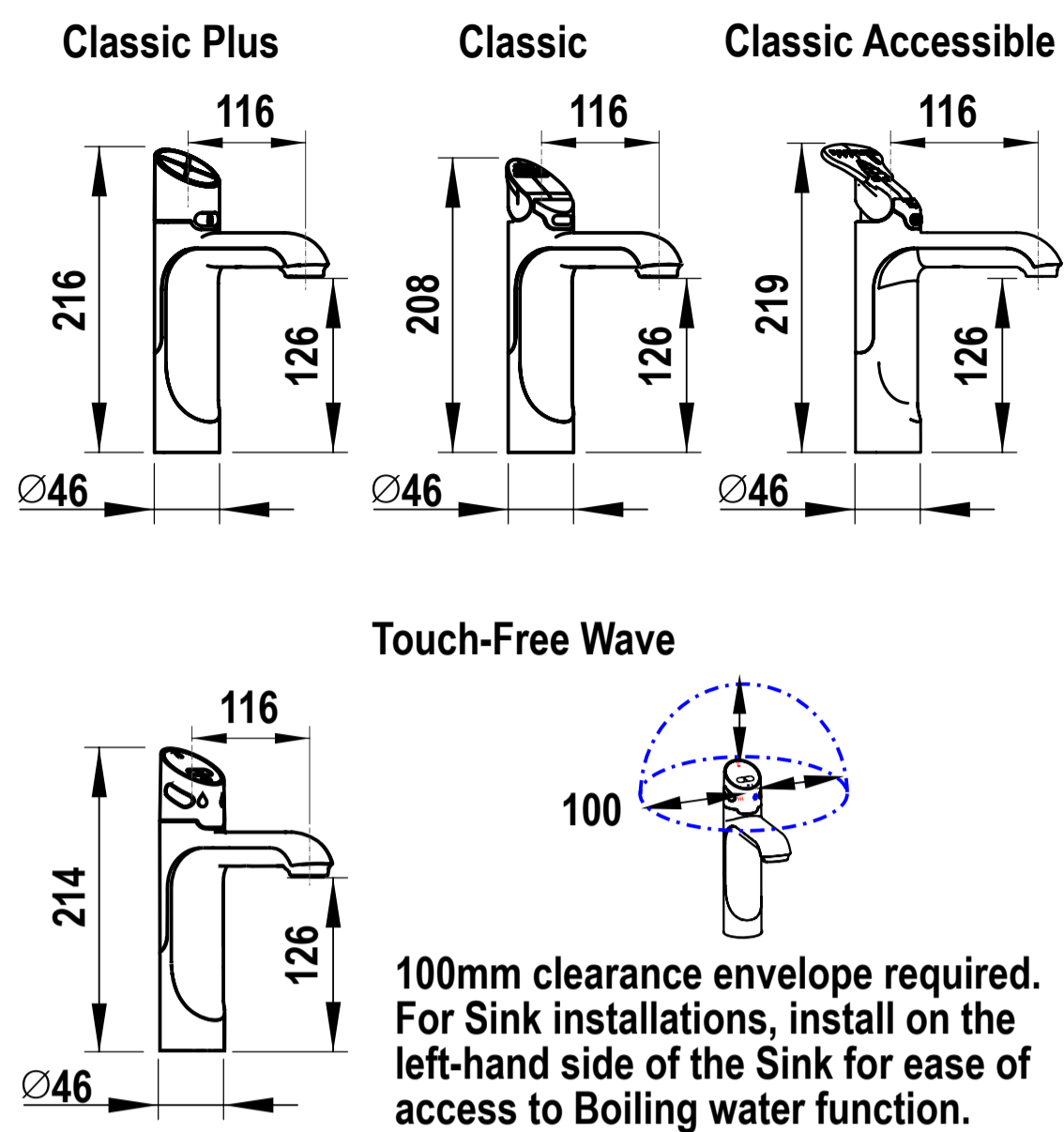
Position the Tap and the Command Centre as close together as possible.



**Vent tray (kit no. 93540)**

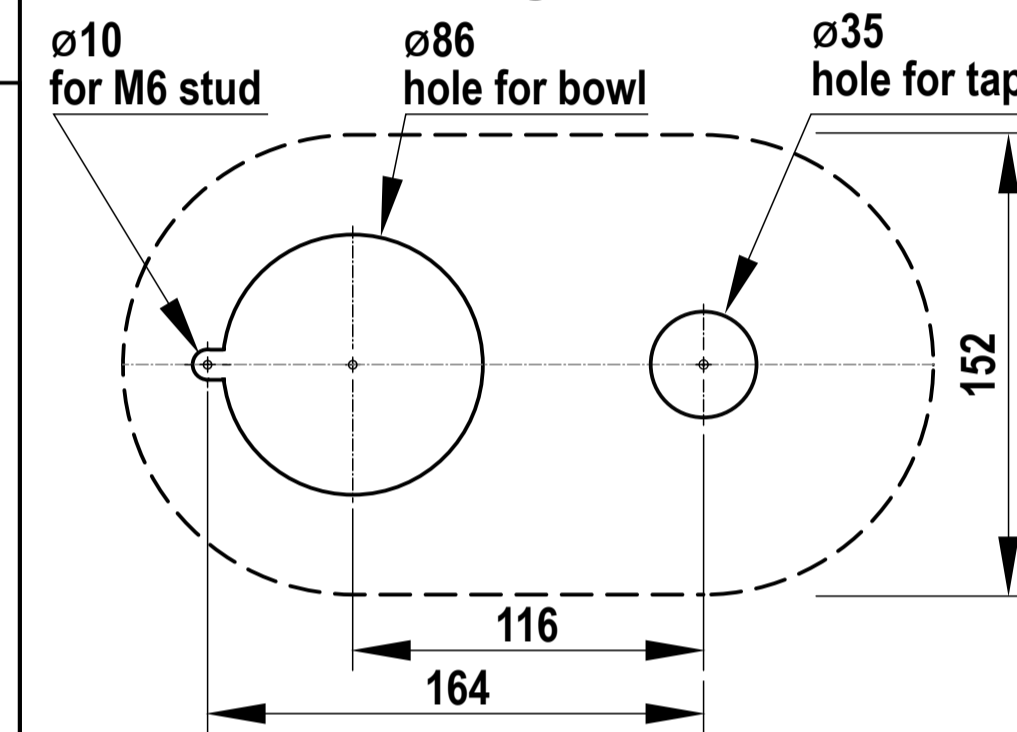
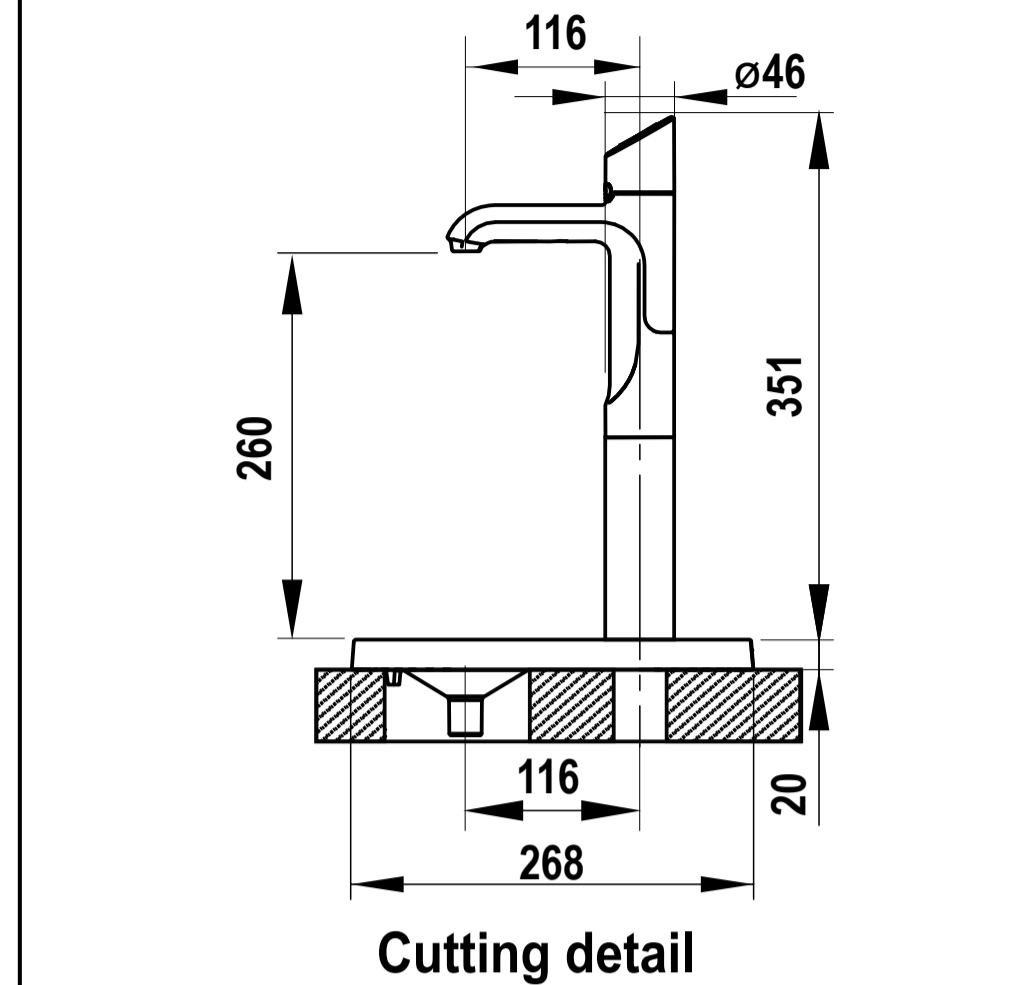


**HydroTap Tap options**



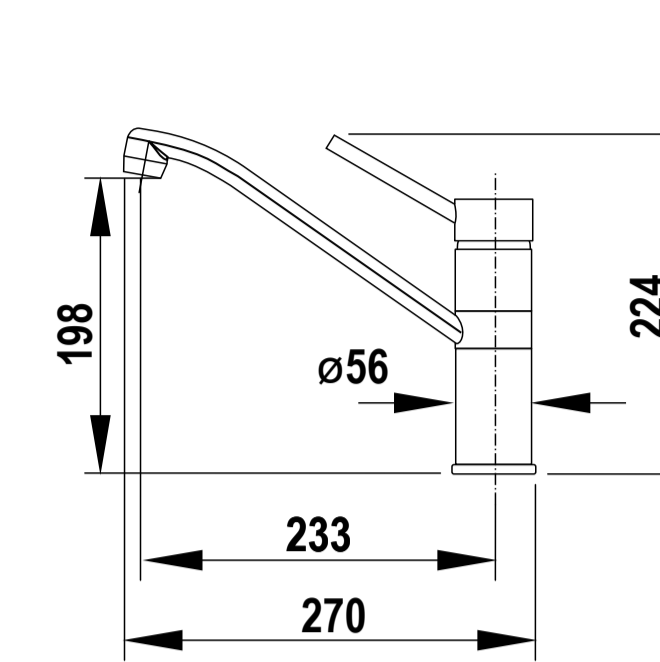
**Font options**

**Raised Font with 135mm Extension, p/n 95258**

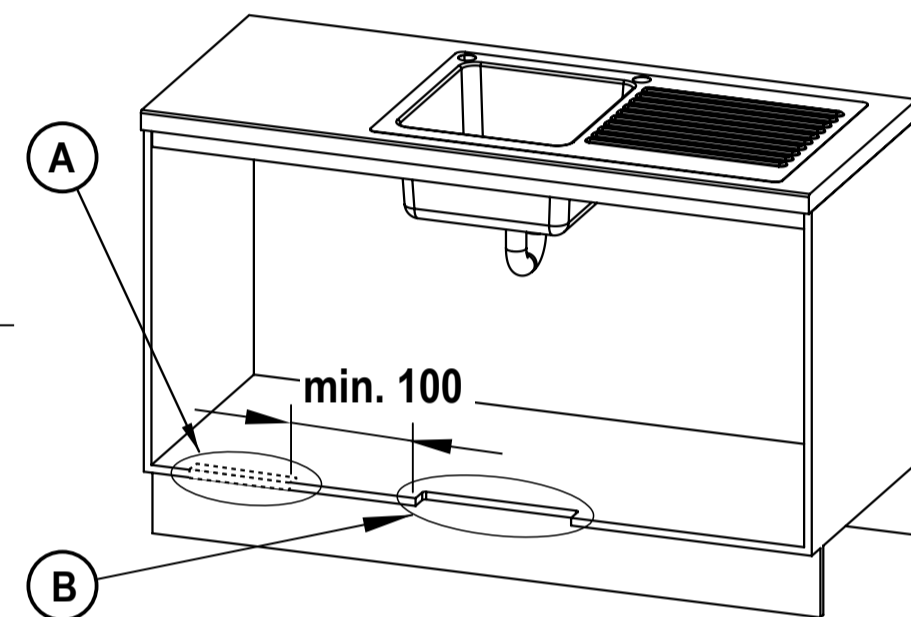
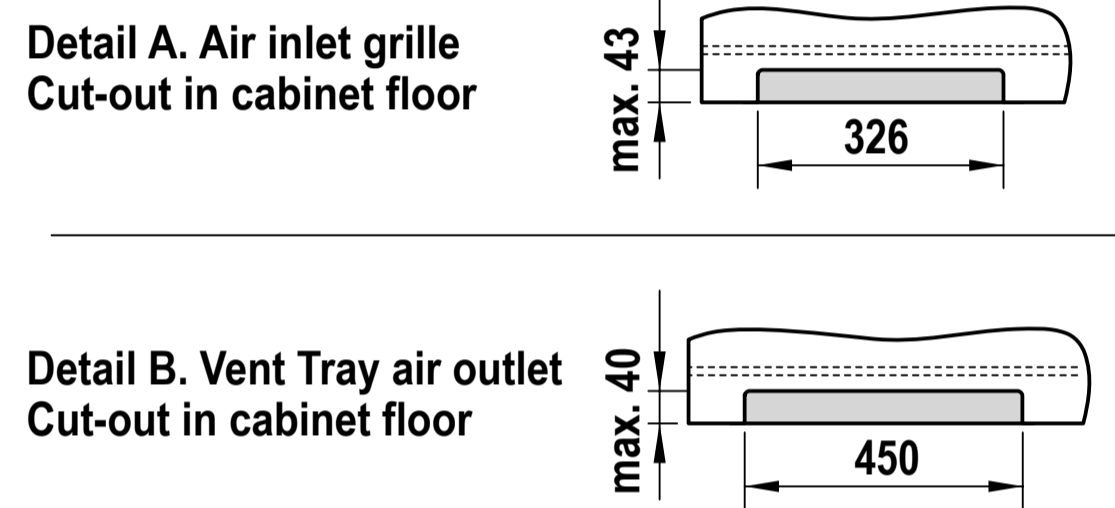
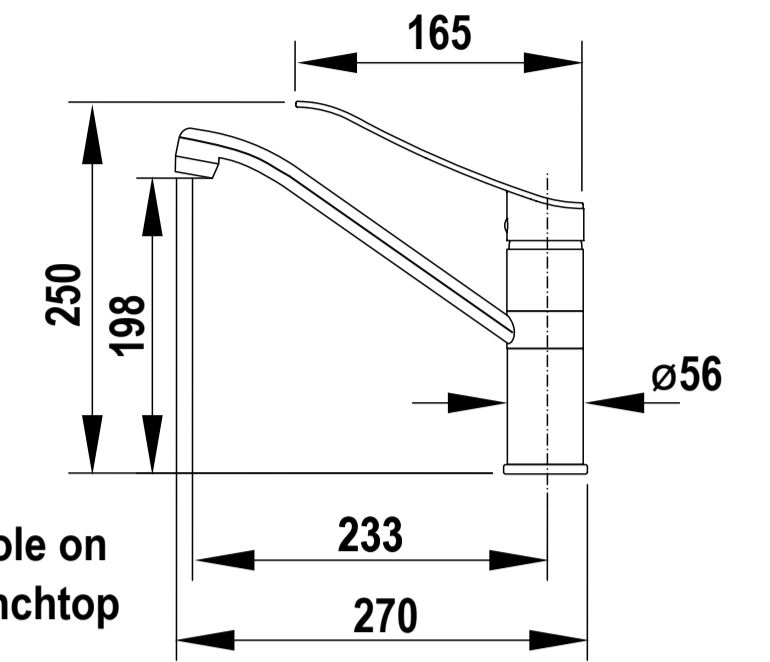


**Mixer Tap options (BCU40 H)**

**Classic Mixer Tap**

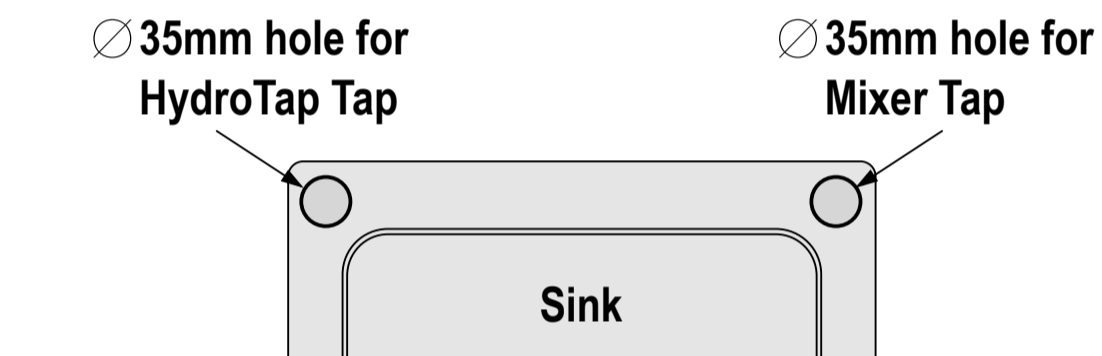


**Accessible Mixer Tap**



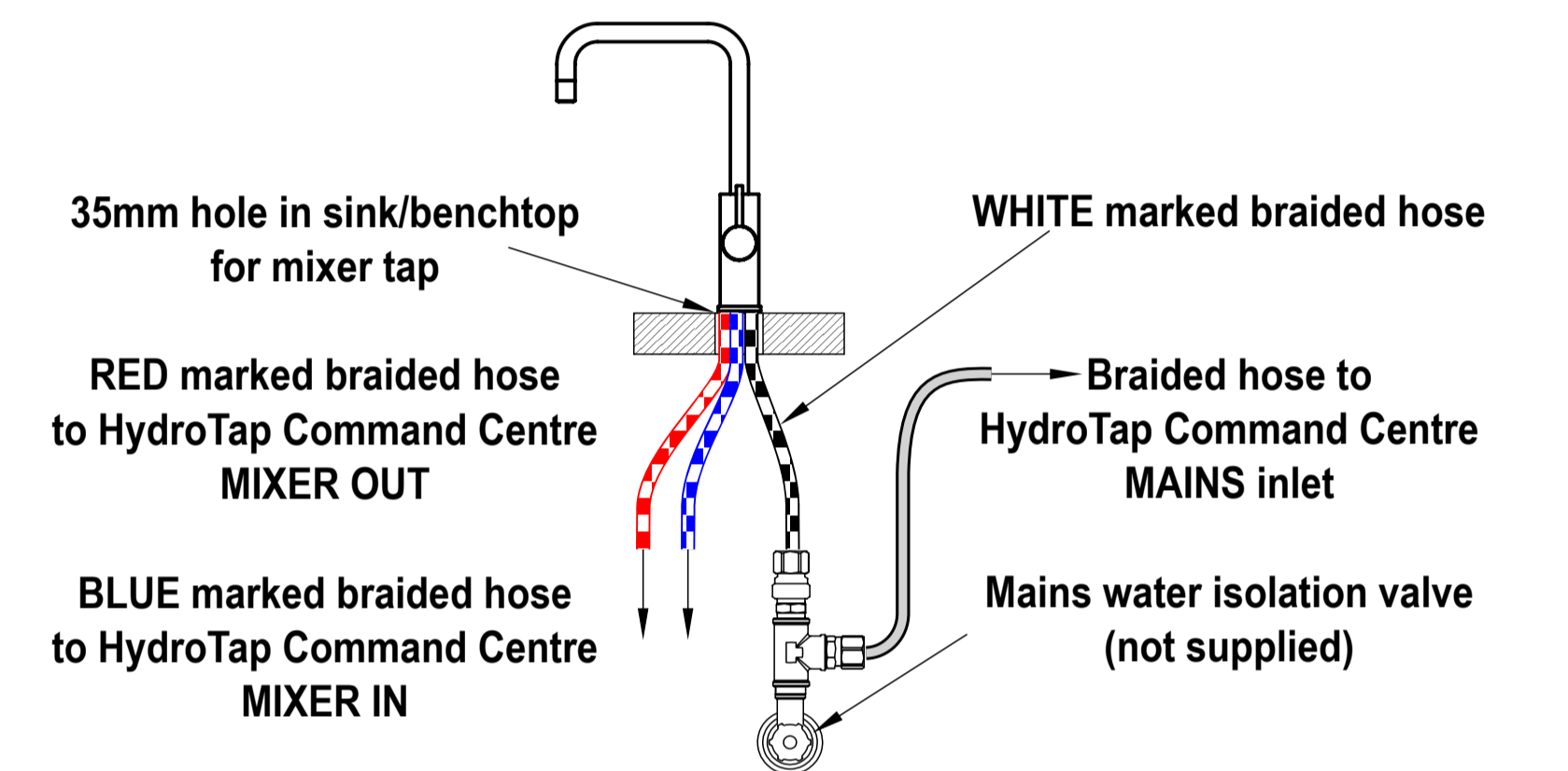
**Tap Positioning**

Position the Tap to dispense into the sink, allowing clearance for a cup or teapot. Alternatively, mount the HydroTap Tap on a Font (available as an accessory).

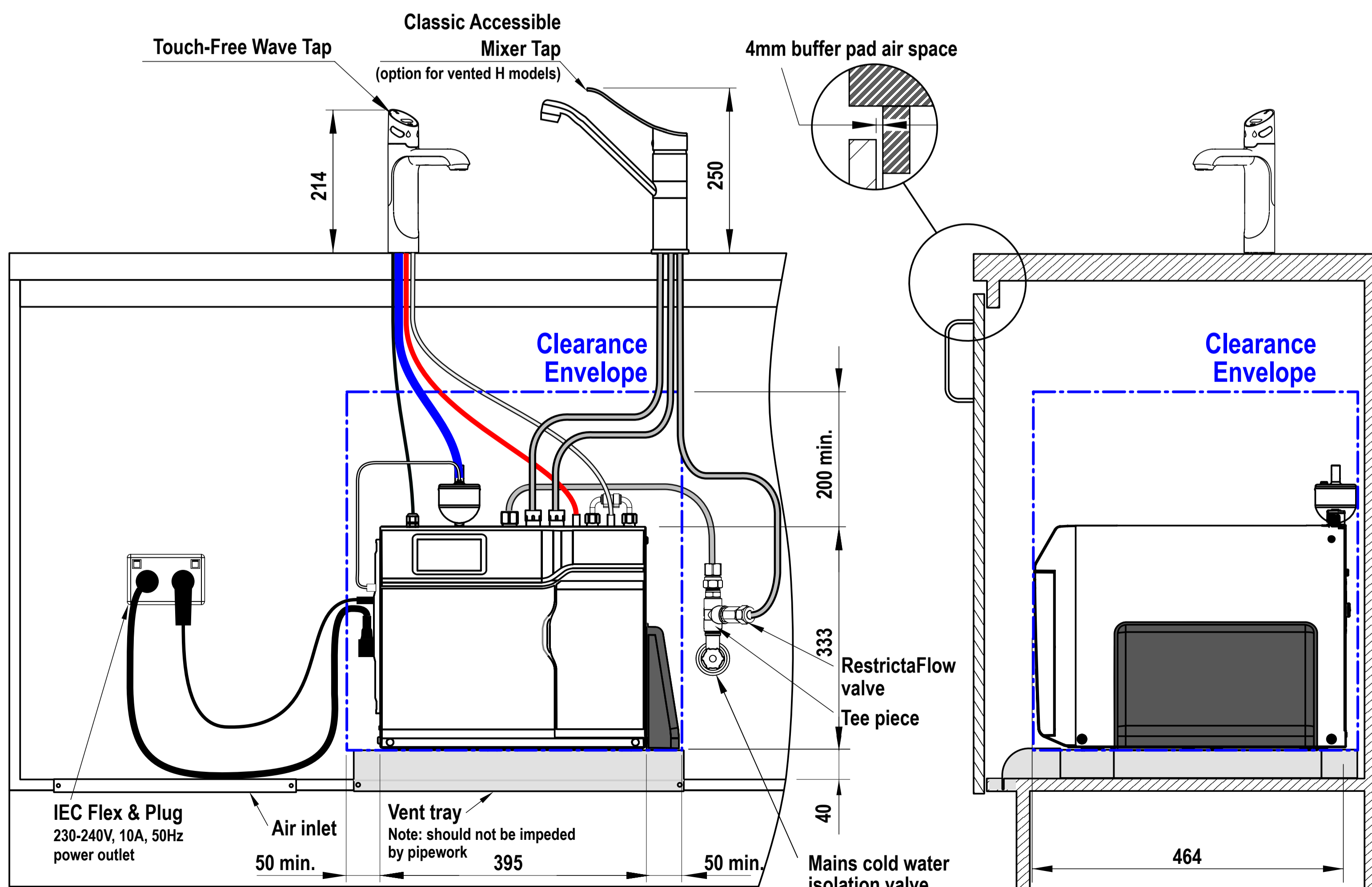
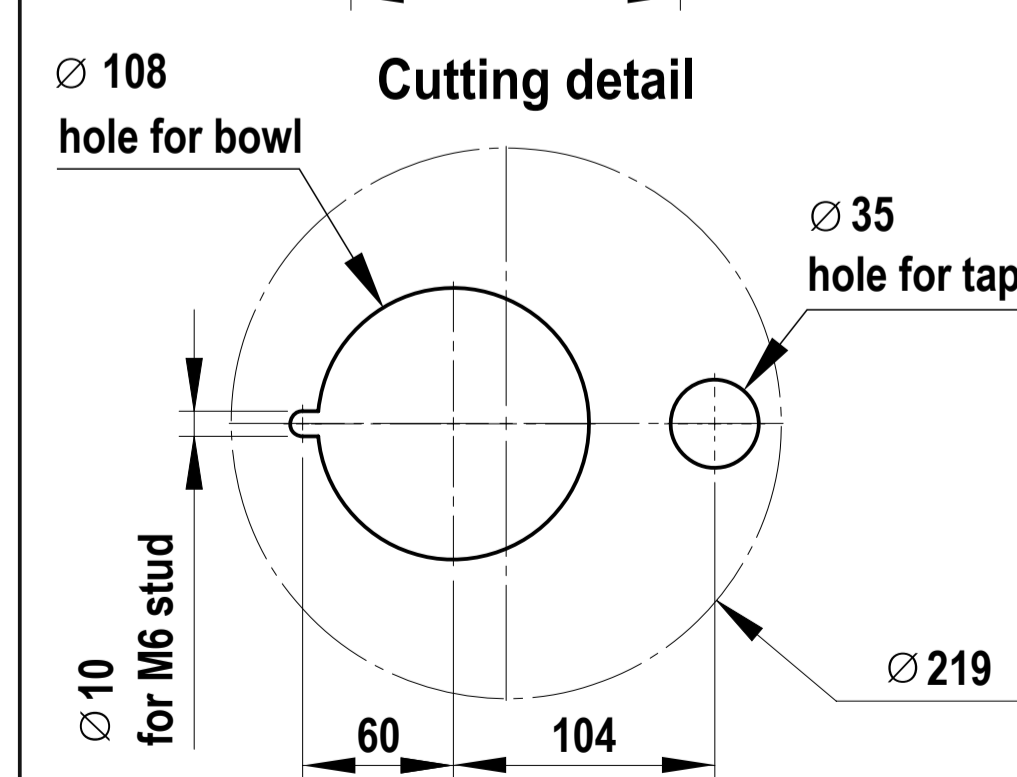
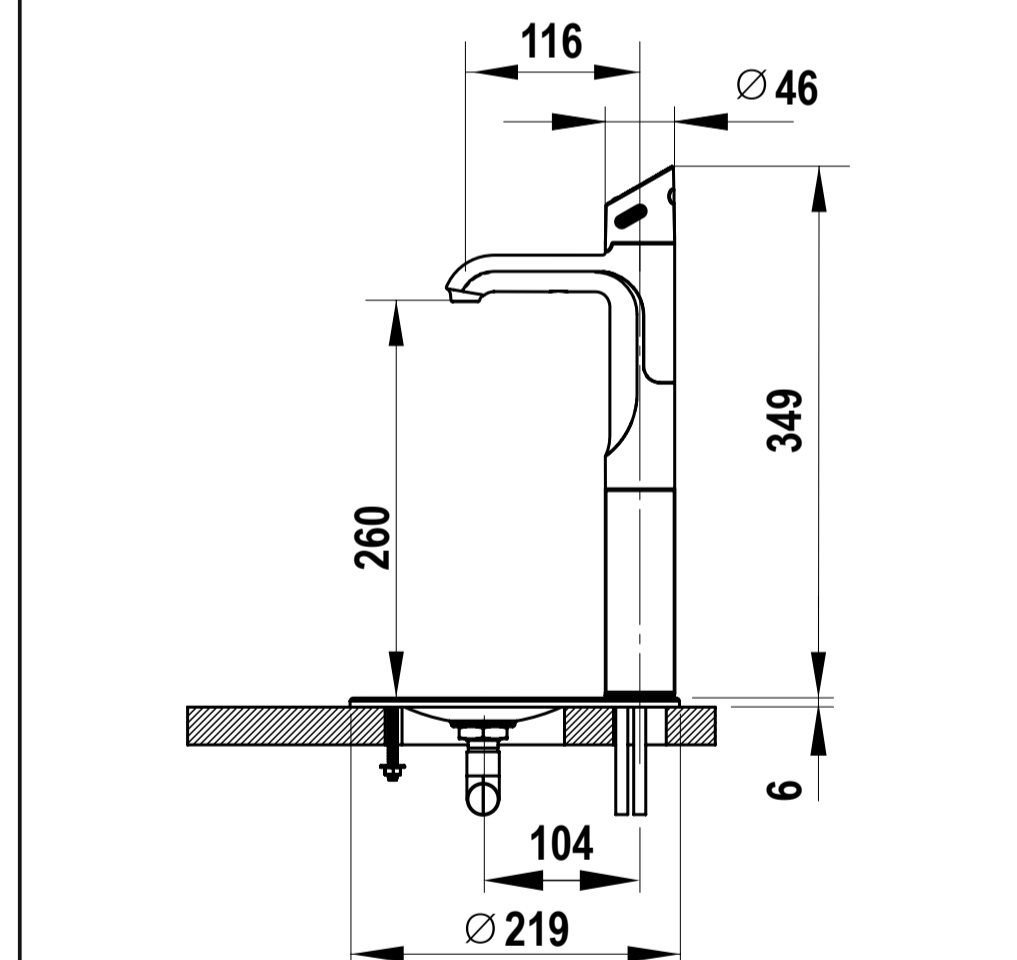


**Vented mixer tap installation**

Only cold water supply required



**Font with 135mm Extension, p/n 90915**



**HydroTap G5  
BCU40, BCU40 H UltraCare**

shown with Touch-Free Wave Tap and Classic Accessible Mixer Tap (V)

SCALE 1:5  
ALL DIMENSIONS IN MM UNLESS OTHERWISE SPECIFIED. INSTALLATION DIAGRAMS ARE FOR ILLUSTRATIVE PURPOSES ONLY. HOSES ARE NOT SHOWN TO SCALE AND CANNOT BE LENGTHENED.