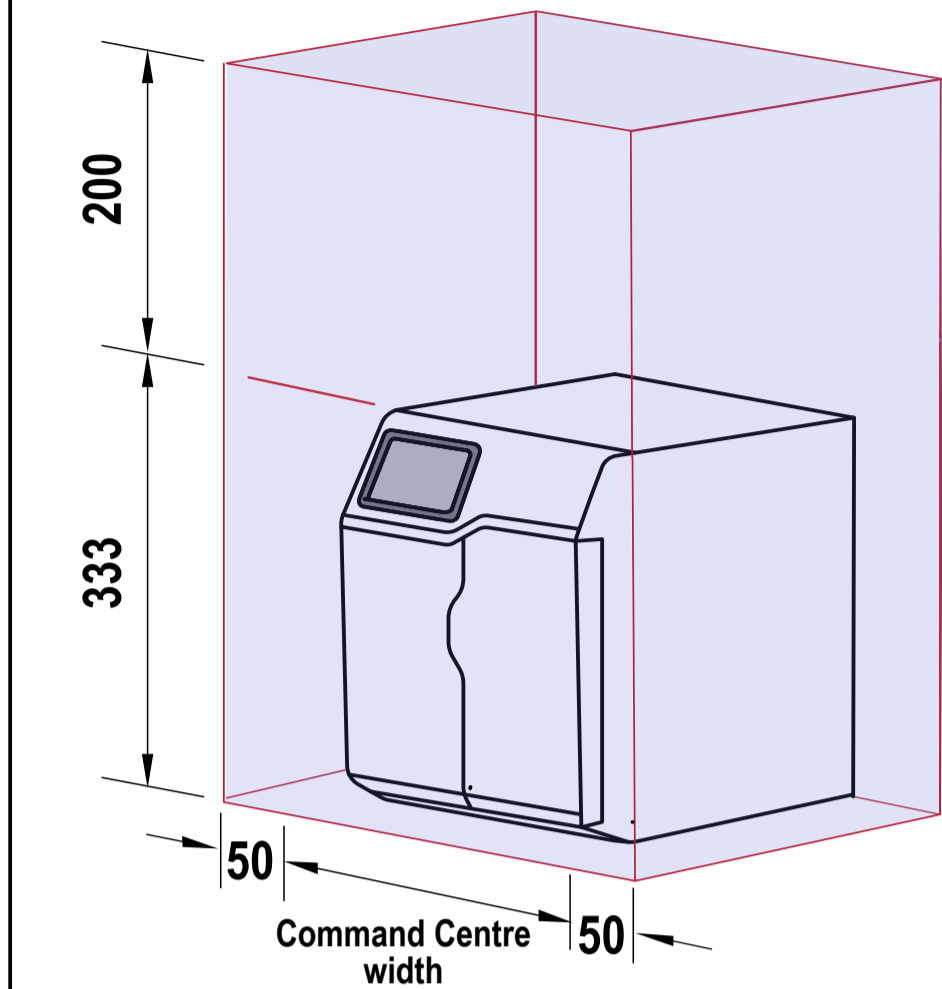


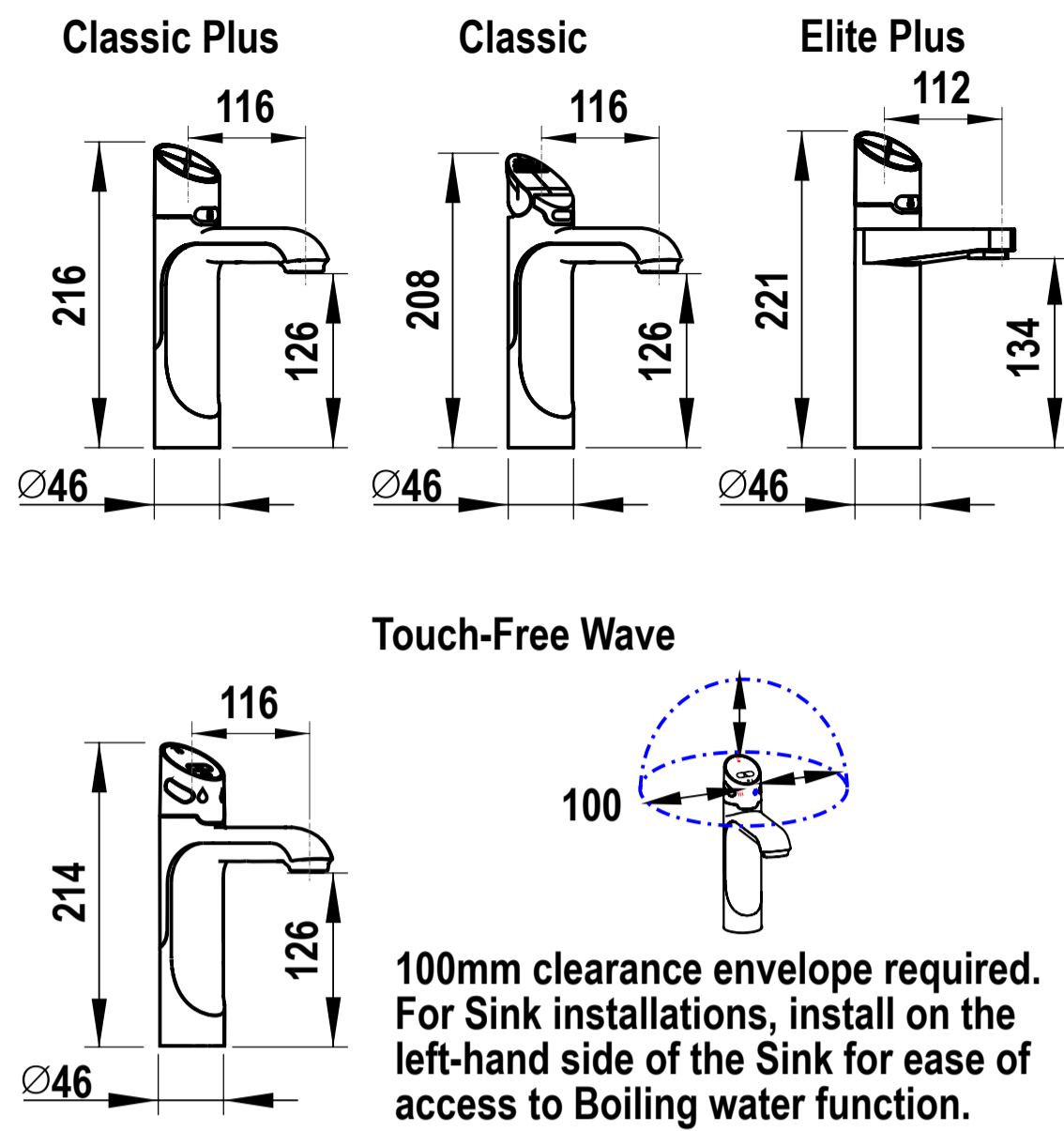
**Ventilation requirements** Contact your local service provider if ventilation is not suitable

**Clearance envelope**

Position the Tap and the Command Centre as close together as possible.

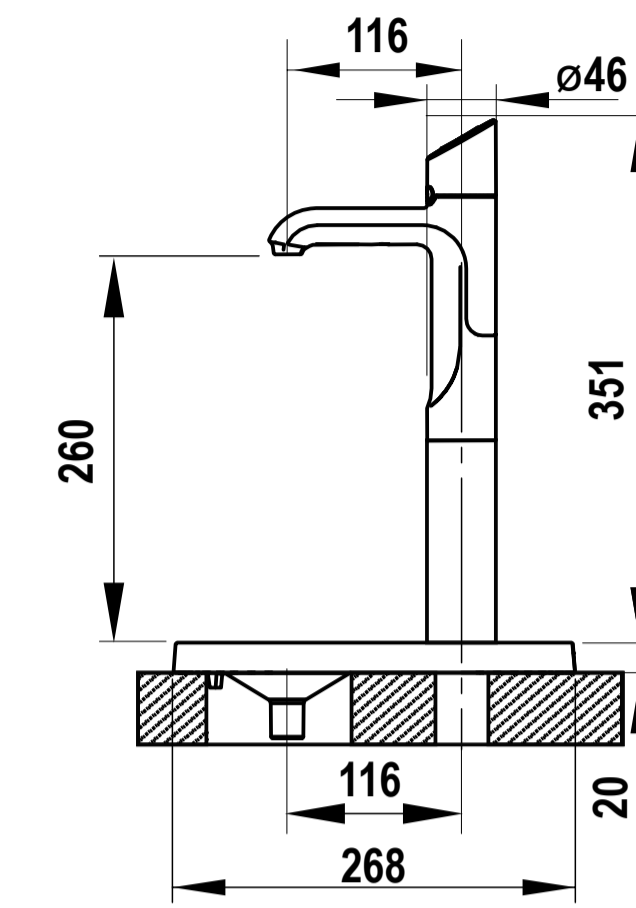


**HydroTap Tap options**

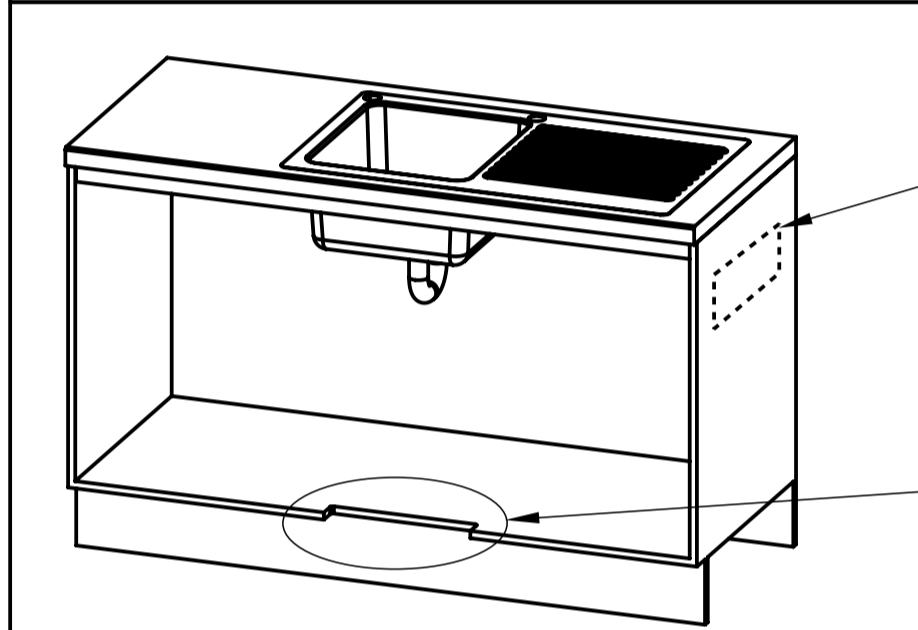
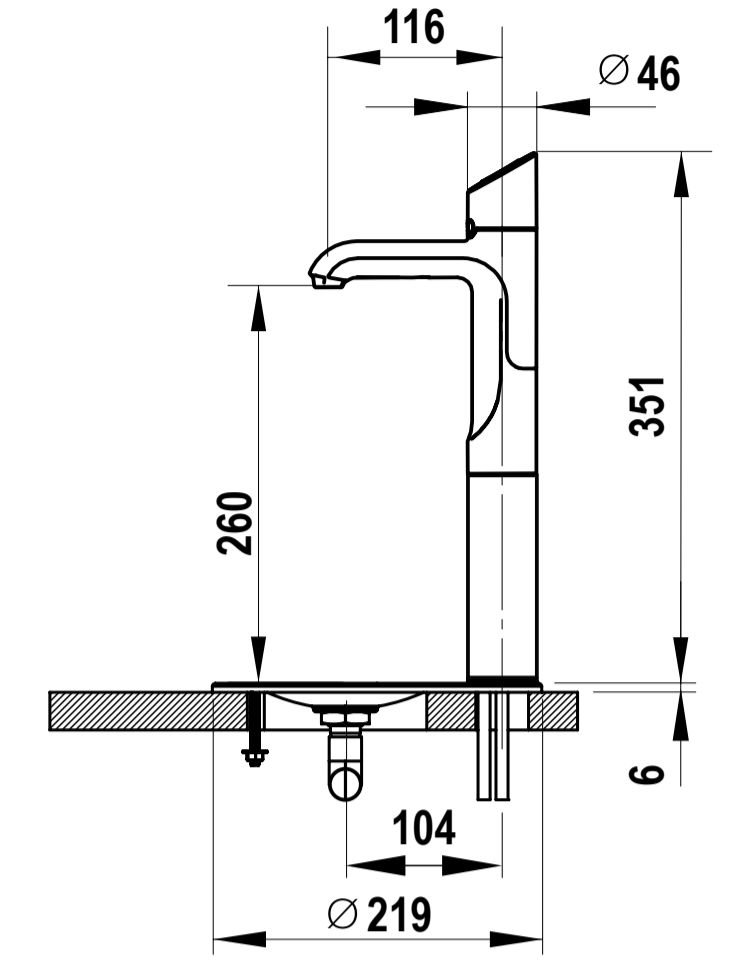


**Font options**

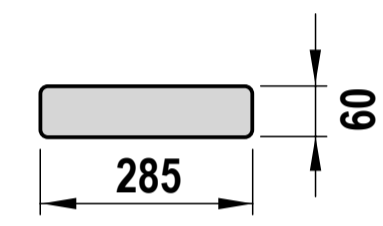
**Raised Font with 135mm Extension**  
part no. 95258



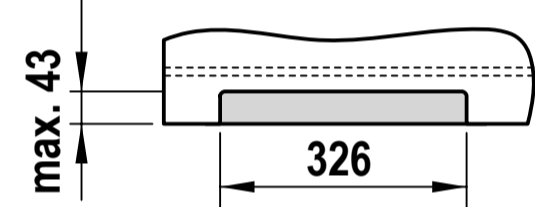
**Font with 135mm Extension**  
part no. 90915



Air outlet louvre (if required)  
Cut-out in door/wall, towards the top of the cabinet



Air inlet cut-out (required)  
Cut-out in cabinet floor



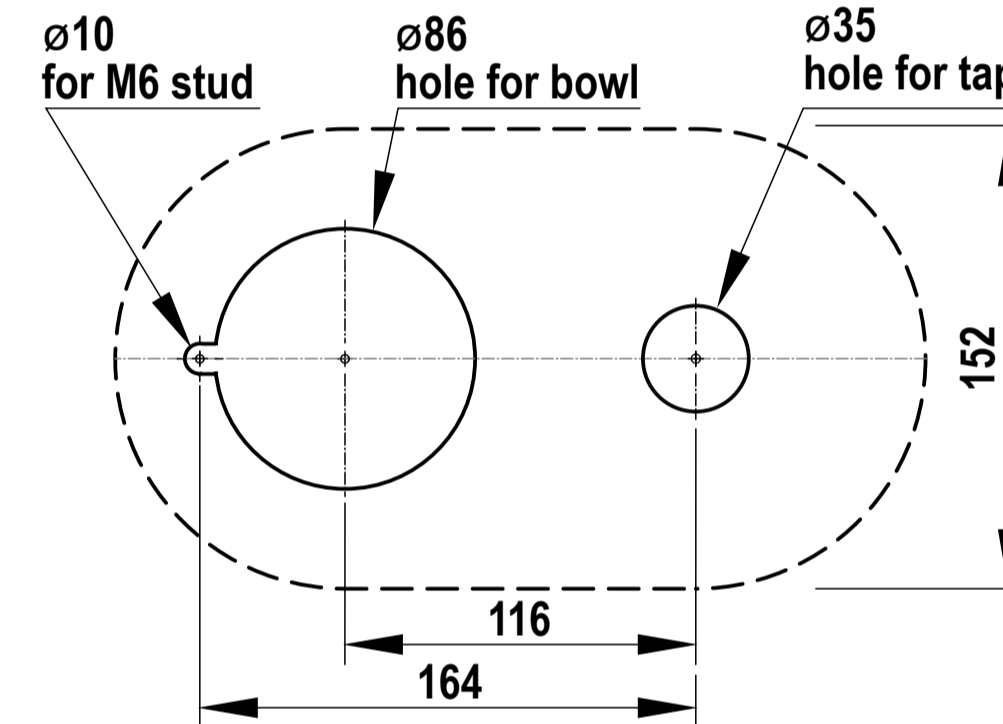
**Tap Positioning**

Position the Tap to dispense into the sink, allowing clearance for a cup or teapot. Alternatively, mount the HydroTap Tap on a Font (available as an accessory).

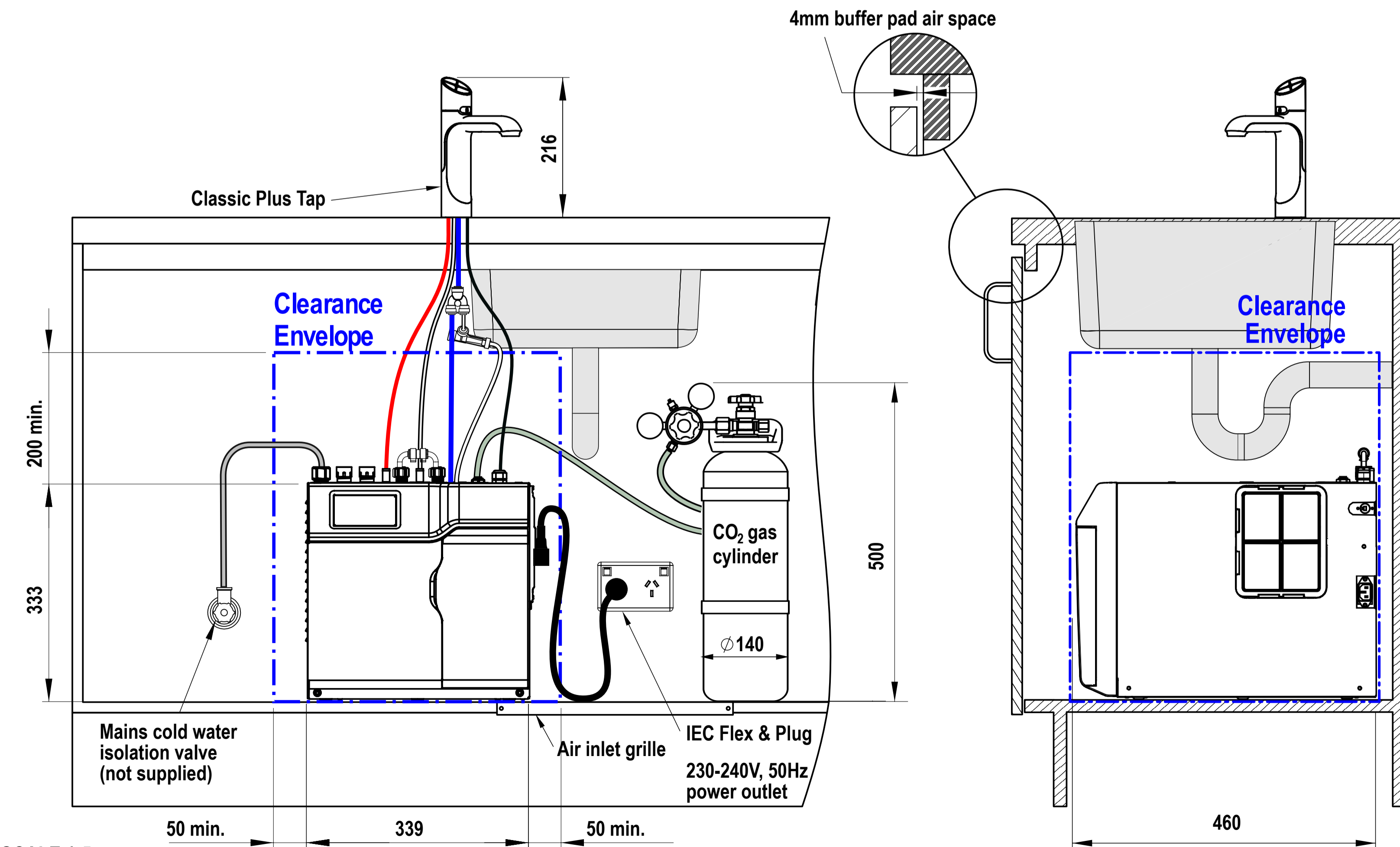
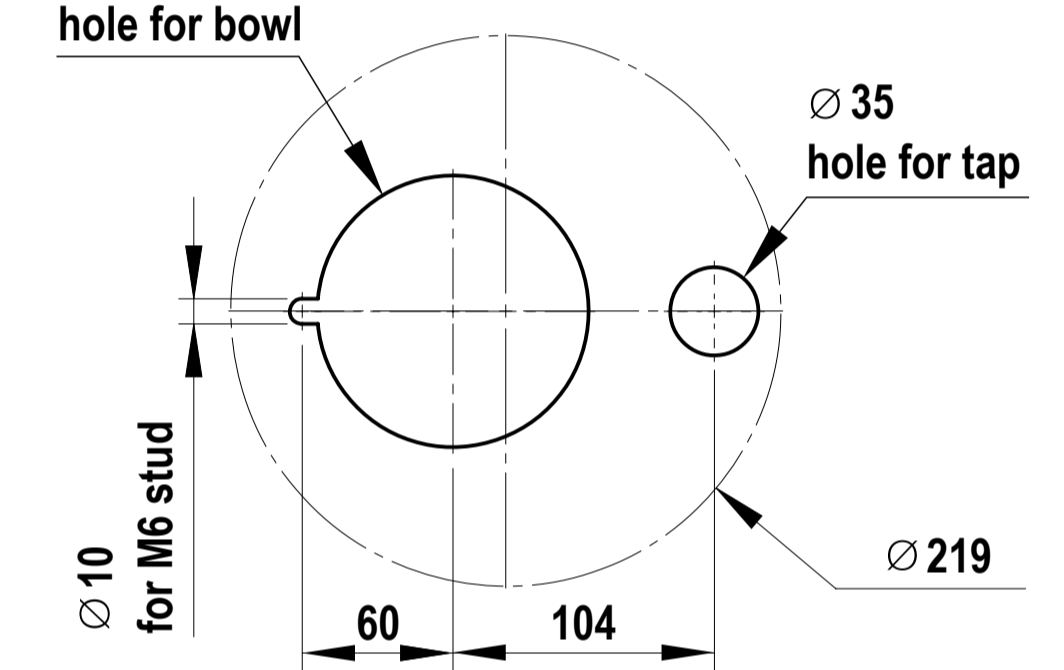
Ø35mm hole for HydroTap Tap



**Cutting detail**



**Cutting detail**



**HydroTap G5  
BCS20**

shown with "Classic Plus" Tap