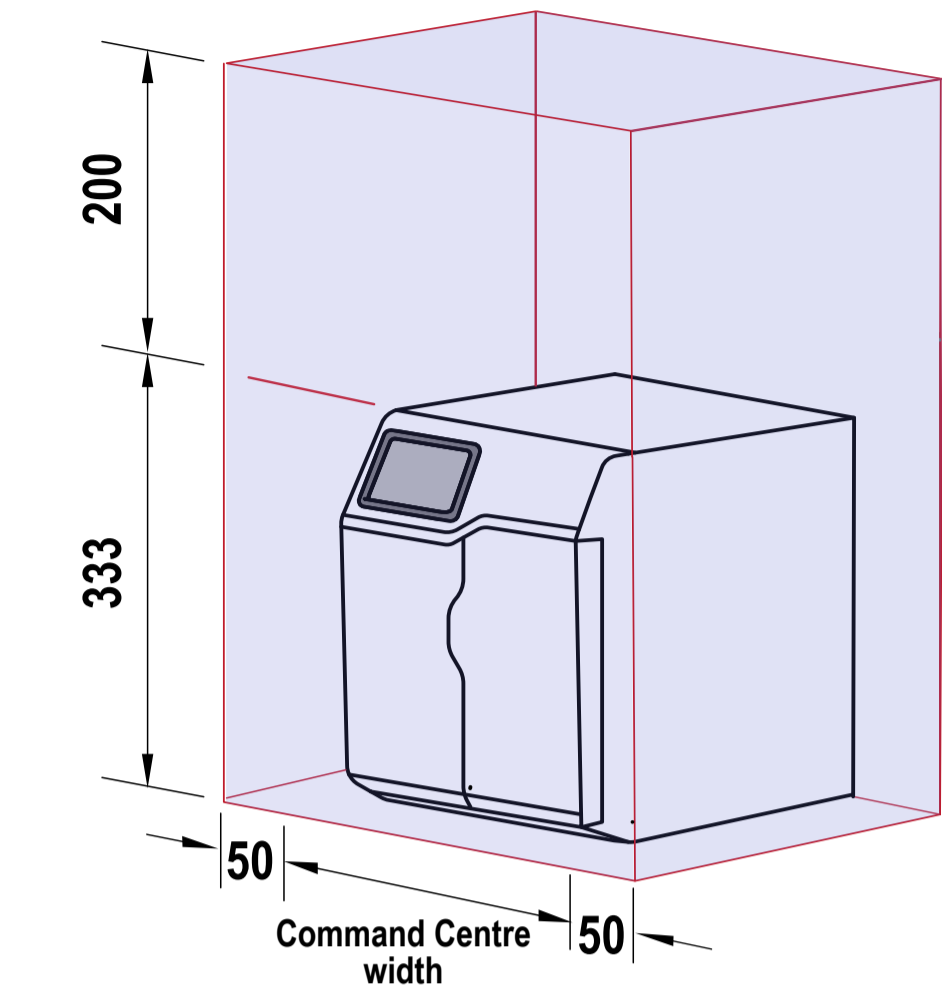


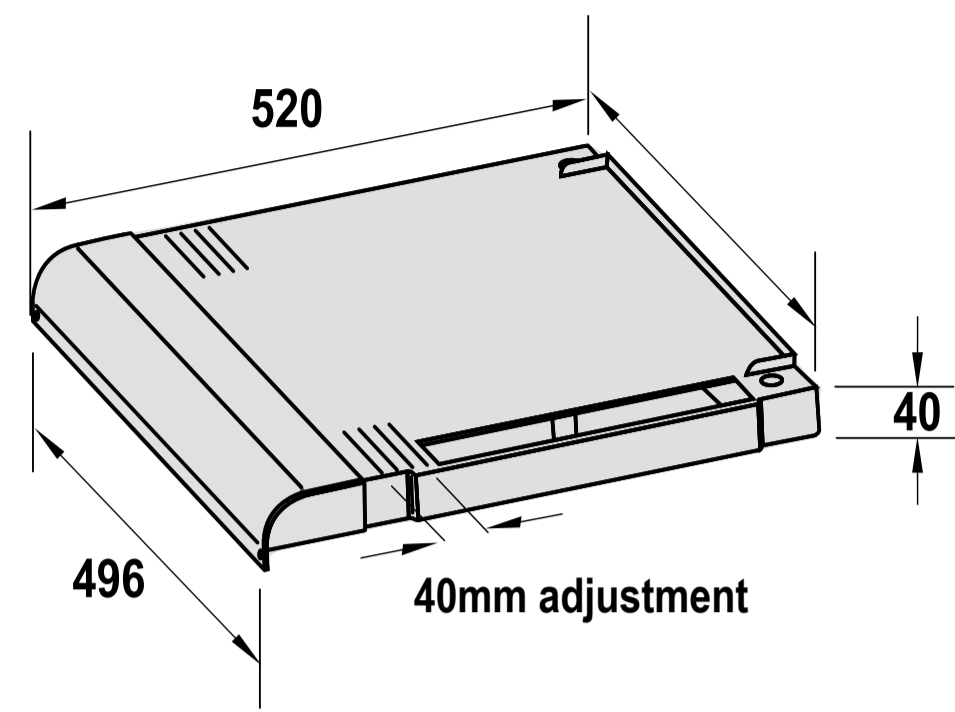
Ventilation requirements Contact your local service provider if ventilation is not suitable

Clearance envelope

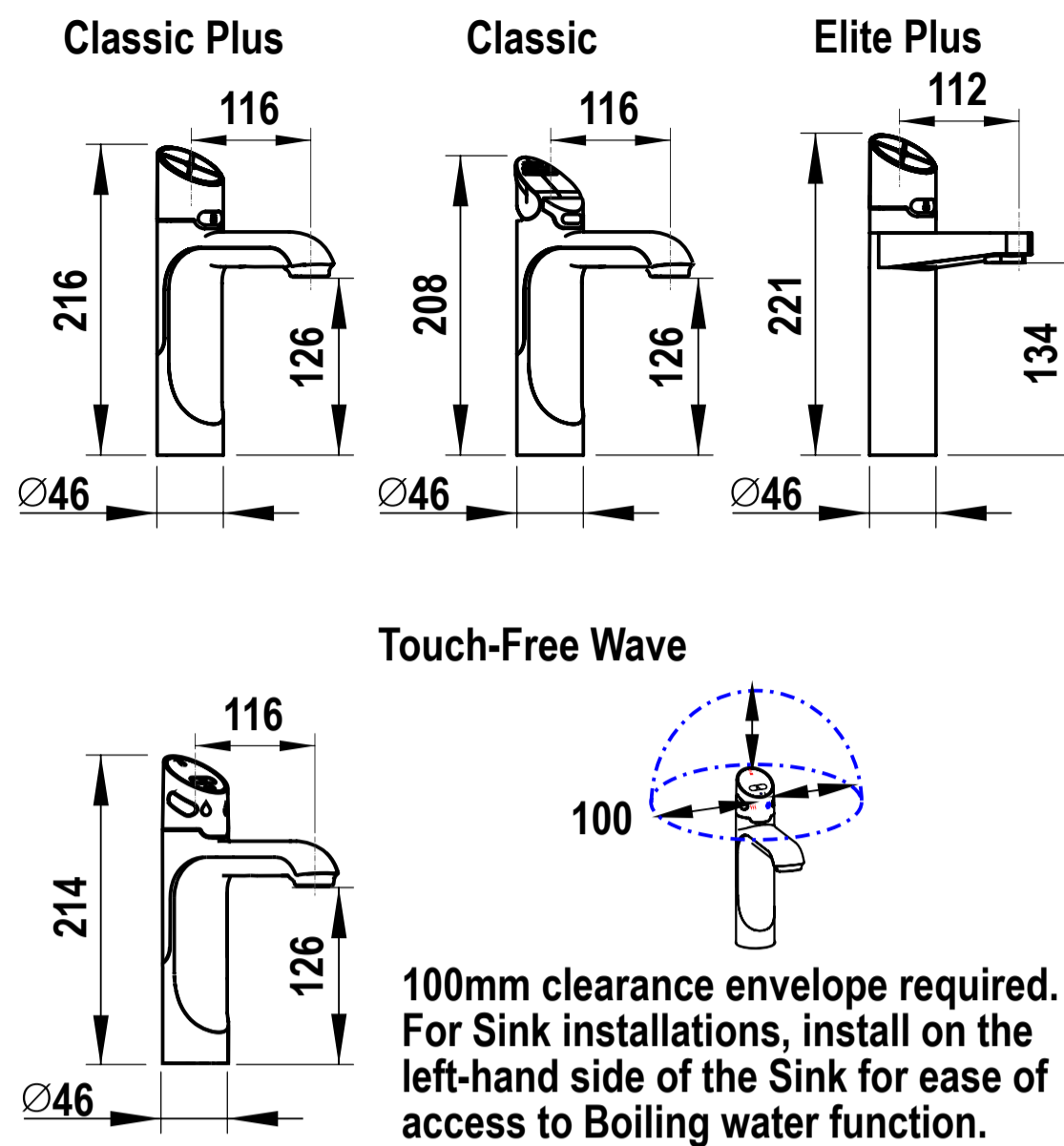
Position the Tap and the Command Centre as close together as possible.



Vent tray (kit no. 93540)

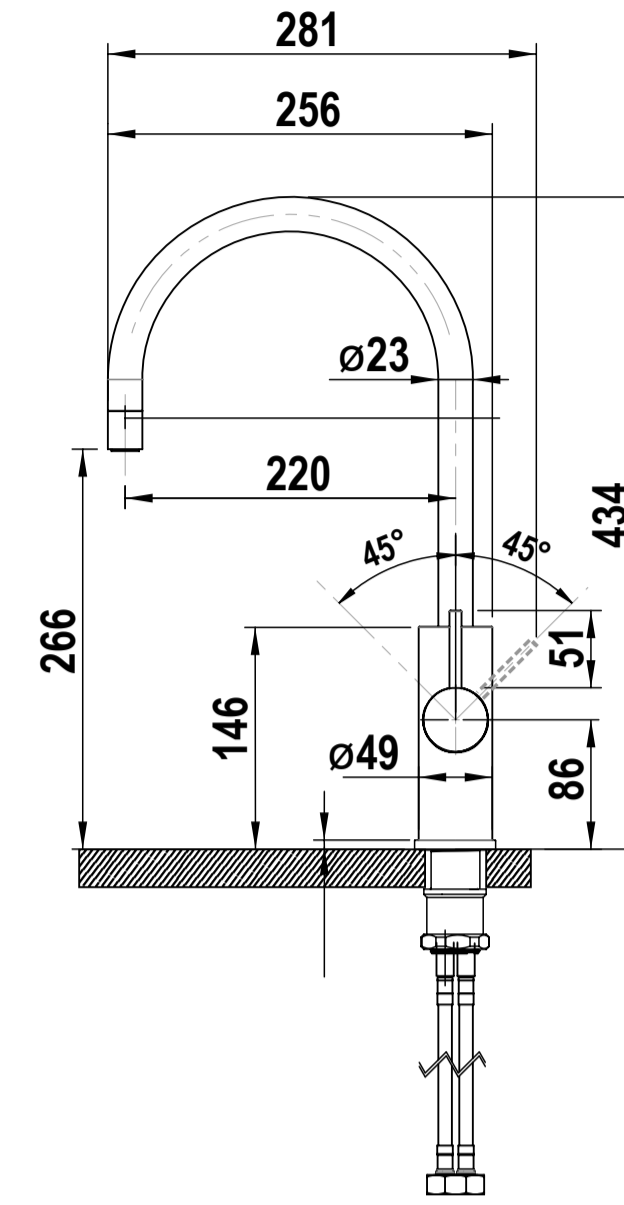


HydroTap Tap options

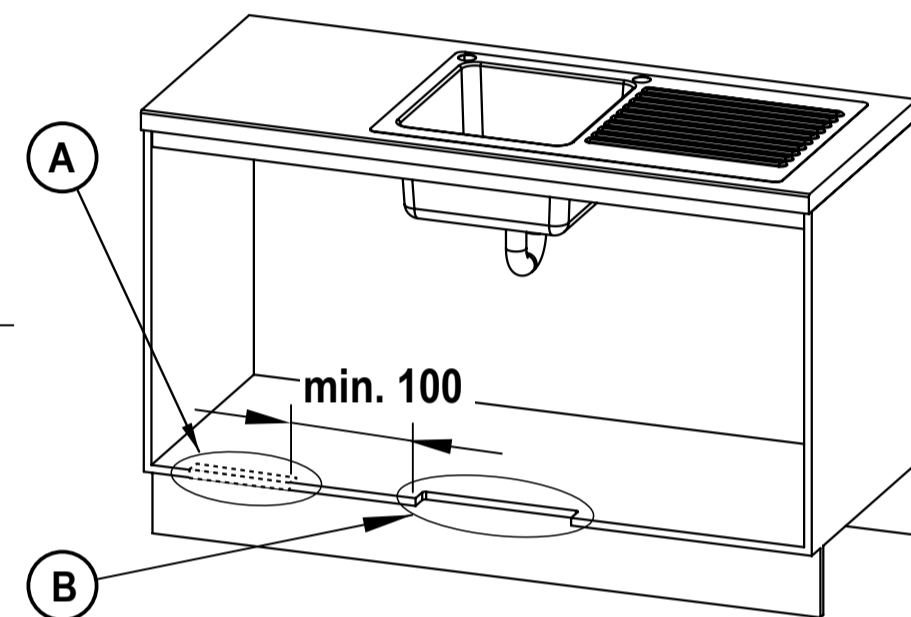
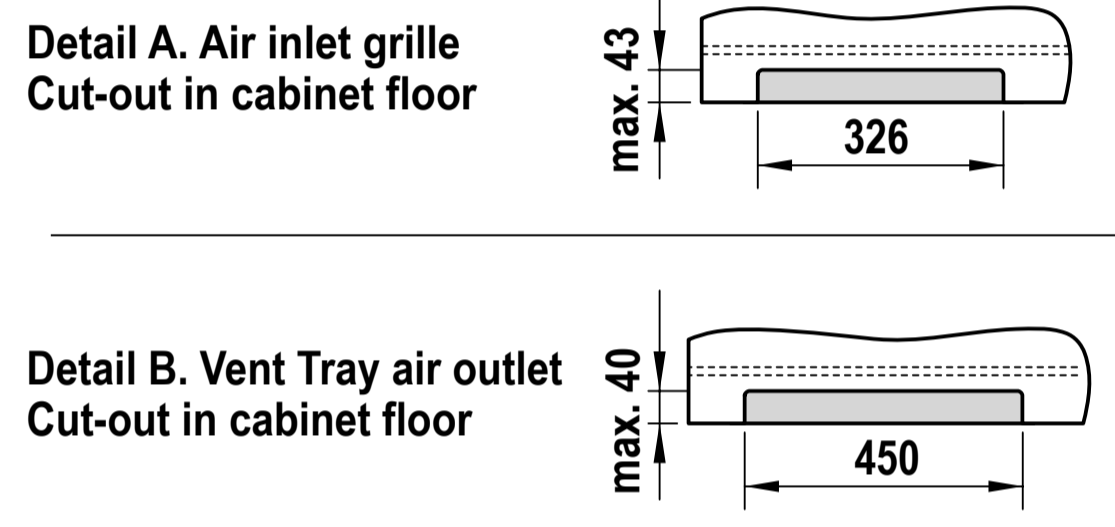
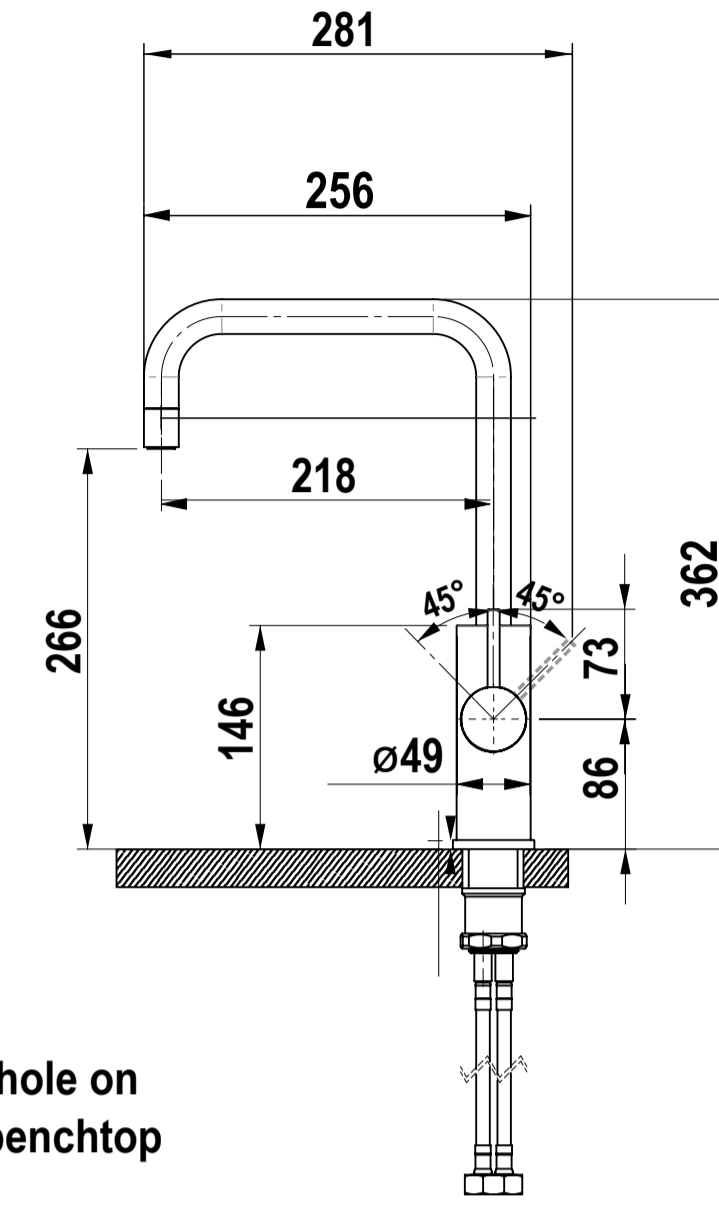


Mixer Tap options

Arc Mixer Tap

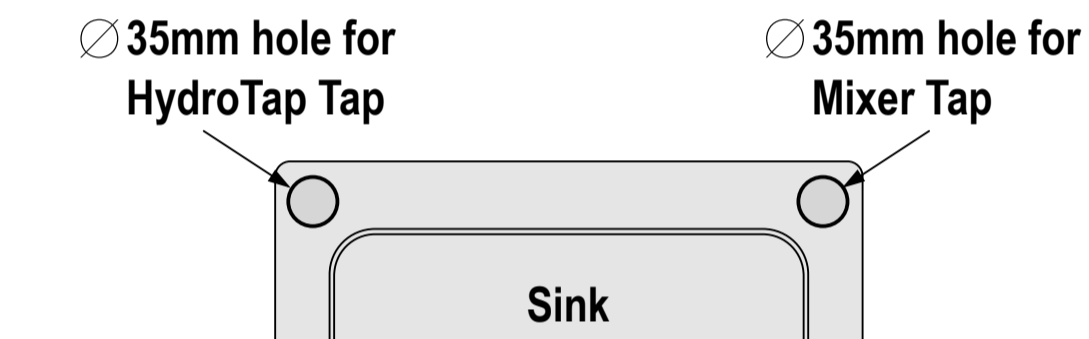


Cube Mixer Tap

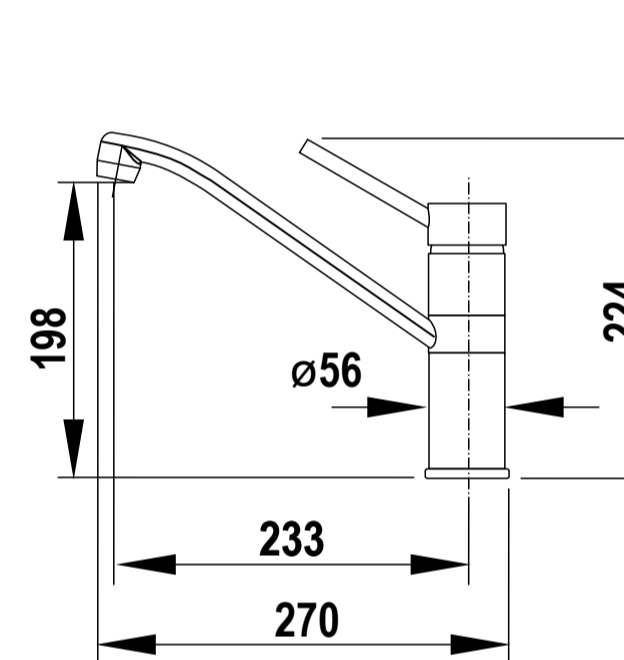


Tap Positioning

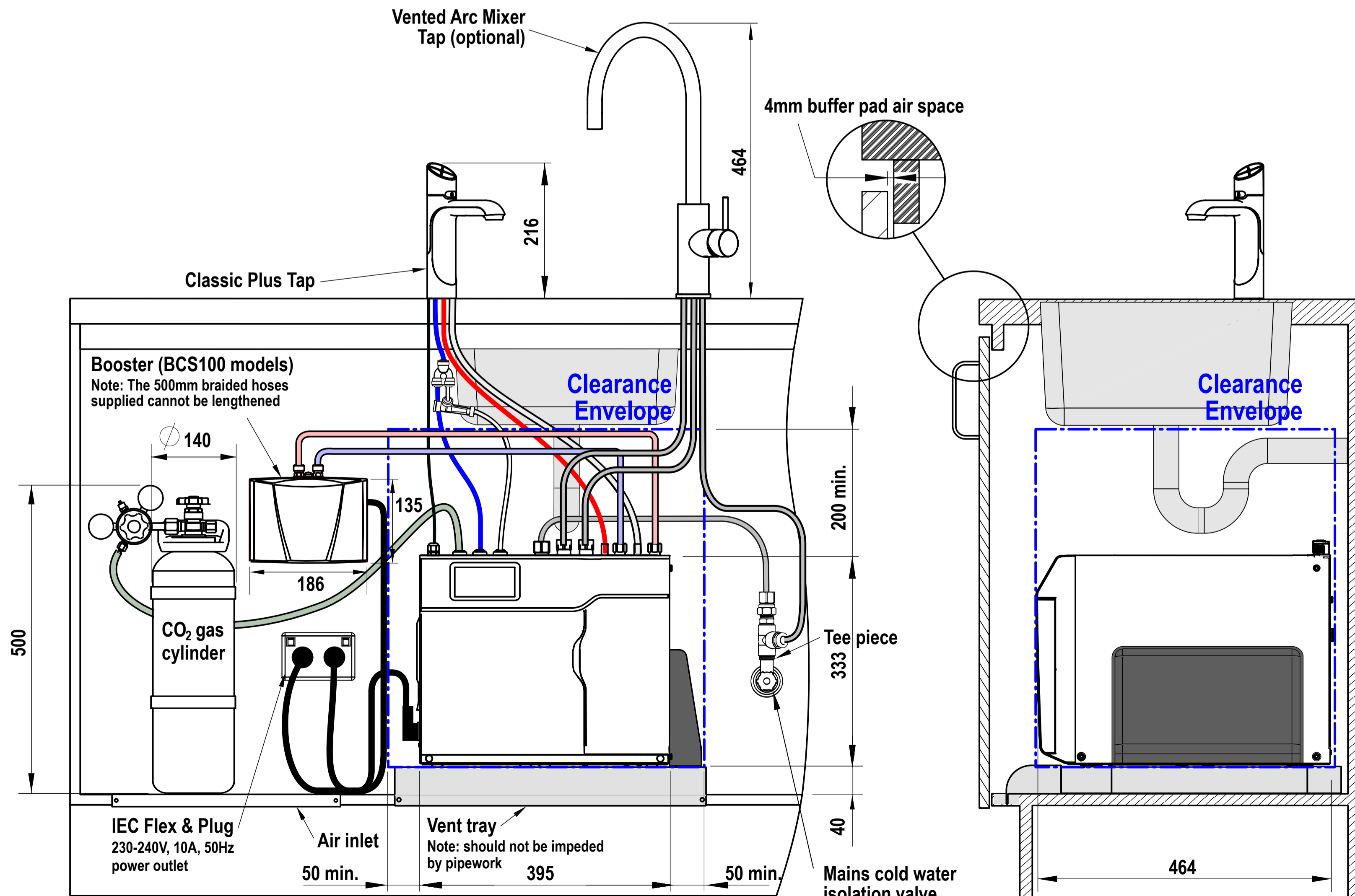
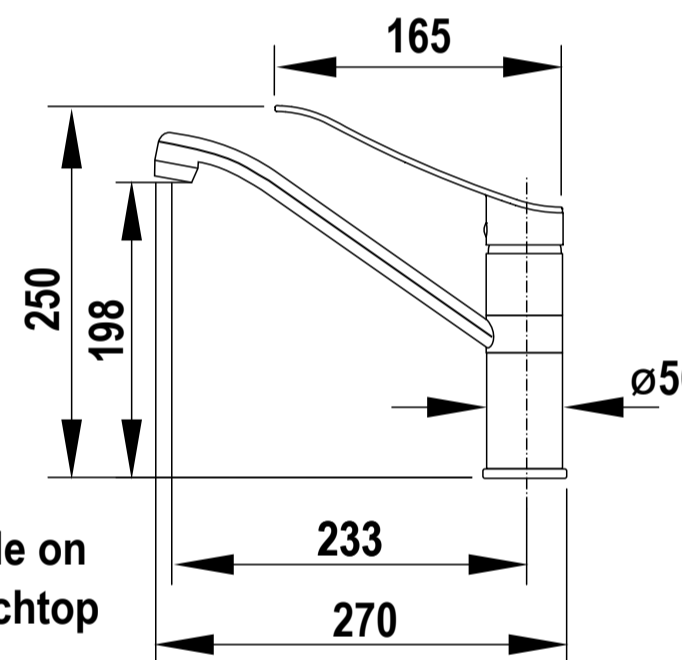
Position the Tap to dispense into the sink, allowing clearance for a cup or teapot. Alternatively, mount the HydroTap Tap on a Font (available as an accessory).



Classic Mixer Tap

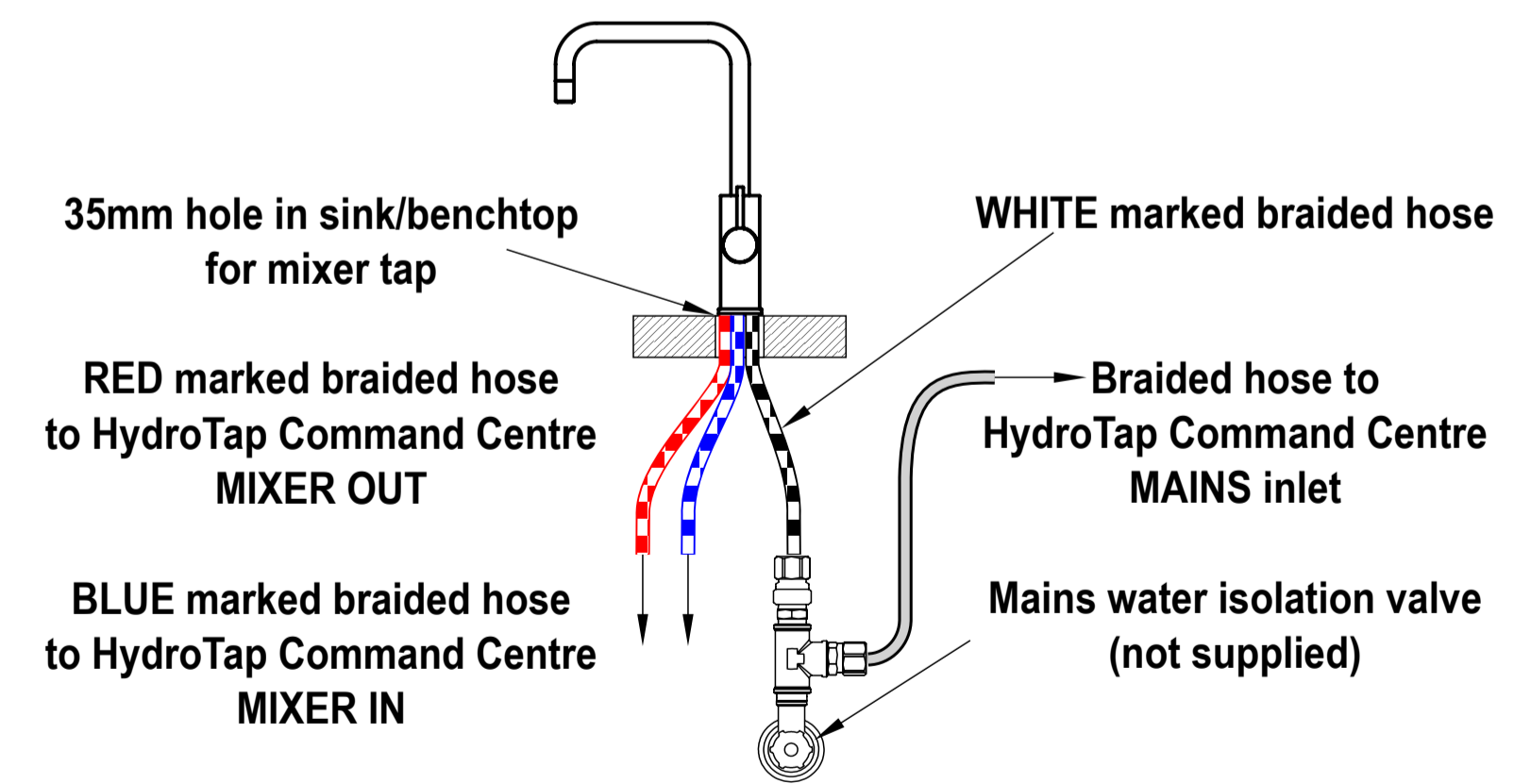


Accessible Mixer Tap



Vented mixer tap installation

Only cold water supply required



**HydroTap G5
BCS60 H, BCS100 H**

shown with "Classic Plus" Tap and Arc Mixer Tap (V)