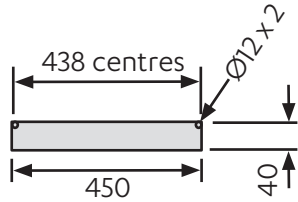


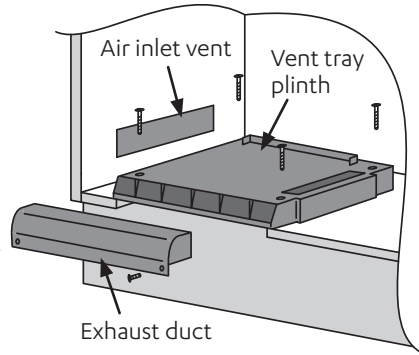
5 Cut out the Vent Tray exhaust slot



6 Install the Vent Tray and air inlet grille

- Install the air inlet grille (option).
- Seat the vent tray plinth on the cupboard floor.
- Secure with the 4 screws supplied.
- Fit the Exhaust duct, secure with 2 screws supplied.

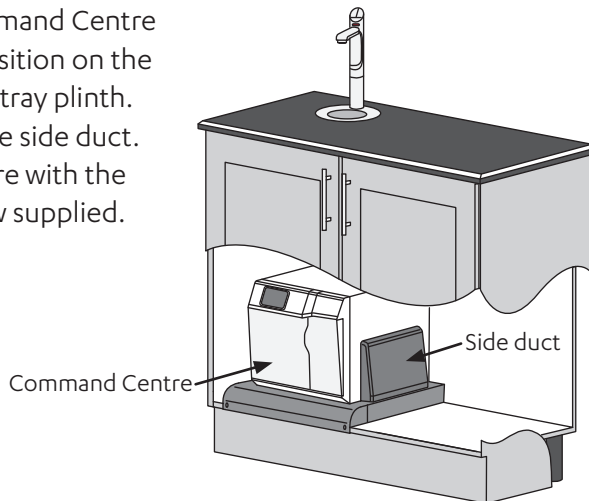
Example
BC installation with side vent



7 Install the Command Centre

- Seat the Command Centre in position on the Vent tray plinth.
- Fit the side duct.
- Secure with the screw supplied.

Example
BC installation with side vent



8 Cleaning and general maintenance

Wipe surfaces with a damp cloth and then wipe dry with a clean, dry cloth. Do not use disinfectant sprays without wiping dry afterwards.

9 Continue with HydroTap installation



Refer to the installation instructions supplied with the HydroTap and the Command Centre for their installation



Zip Water (Aust) Pty Ltd

ABN 46 000 578 727
67 - 77 Allingham Street,
Condell Park, NSW 2200
Postal: Locked Bag 80,
Bankstown 1885
Australia
(+612) 9796 3100
Free Call (Aust): 1800 947 827

www.zipwater.com

Zip Water UK

Trafalgar House,
Rash's Green, Dereham,
Norfolk, NR19 1JG
0345 6 005 005
sales@zipindustries.co.uk

www.zipwater.co.uk

Installation instructions

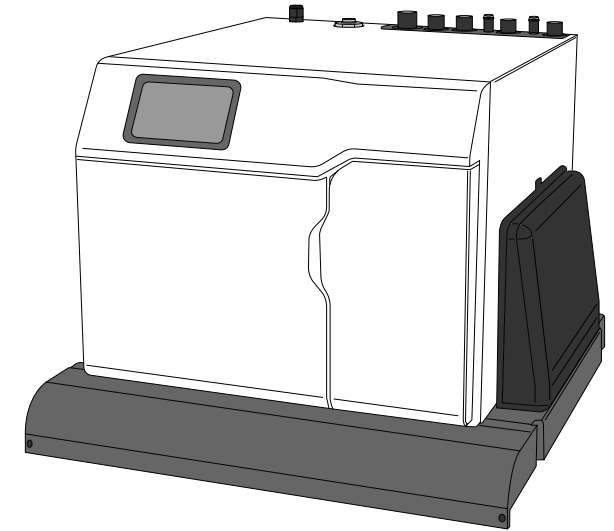


Vent Tray

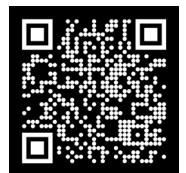
Models

Commercial BC, BCS - 93540

Commercial C, CS - 93541



Australia



UK

Visit our website and download the manuals

Using these instructions

Please refer to all safety and installation requirements detailed in the installation instructions supplied with the HydroTap Command Centre, and HydroTap Command Centre installation instructions found online, prior to installation of, or any change to, the complete system.



WARNING



Read the instructions

Before commencing the installation, download & read the HydroTap installation instructions



The Vent Tray must be fitted, it provides an essential safety function in case of refrigeration system failure.



Read the instructions supplied with the vent kit, prior to installation of the Vent Tray.

All dimensions in these instructions are in mm.

Tools needed for installation (not supplied)

In addition to normal tools, the following (or equivalent equipment) will be required.

- Jig saw or oscillating tool for vent cut-outs.
- 12mm diameter drill for vent cut-out corners.



Be aware of the risks of hazards which could cause harm when using tools. Assess the risks before starting the installation.

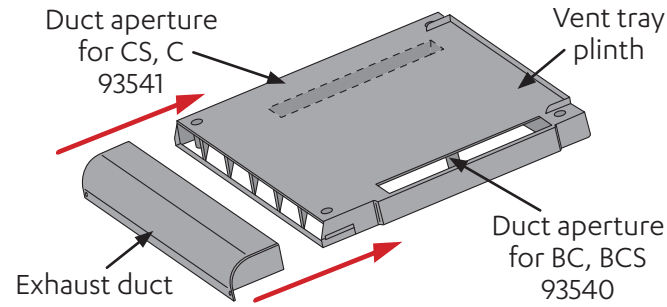
Parts supplied in the kit

Qty	Description
1	Vent tray plinth
1	Exhaust duct
4	Vent tray plinth mounting screws (large)
2	Adjustable exhaust duct mounting screws (small)

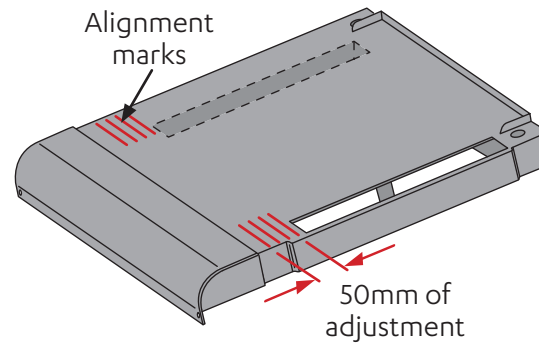
Vent tray dimensions

Allow 520mm for depth, 500mm width, 40mm height (height above cabinet floor).

1 Familiarisation & assembly

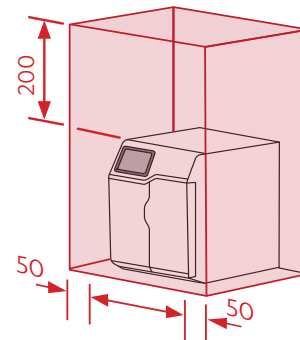


- Assemble the two parts of the vent tray.
- The depth of the tray may be adjusted by up to 50mm, to suit the depth of the HydroTap.
- Use the alignment marks to ensure the exhaust duct fits square on the vent tray plinth.



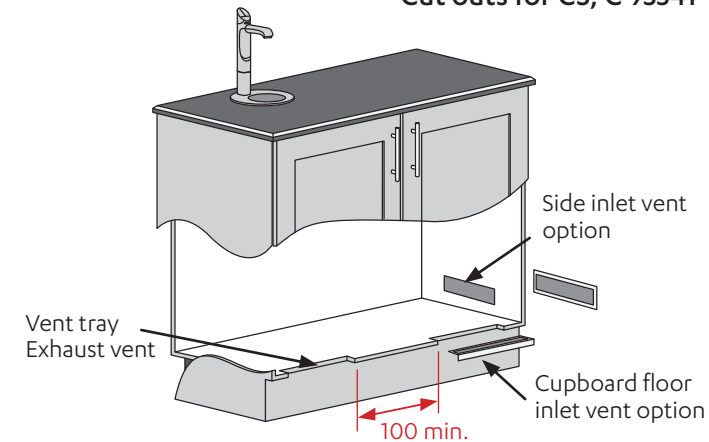
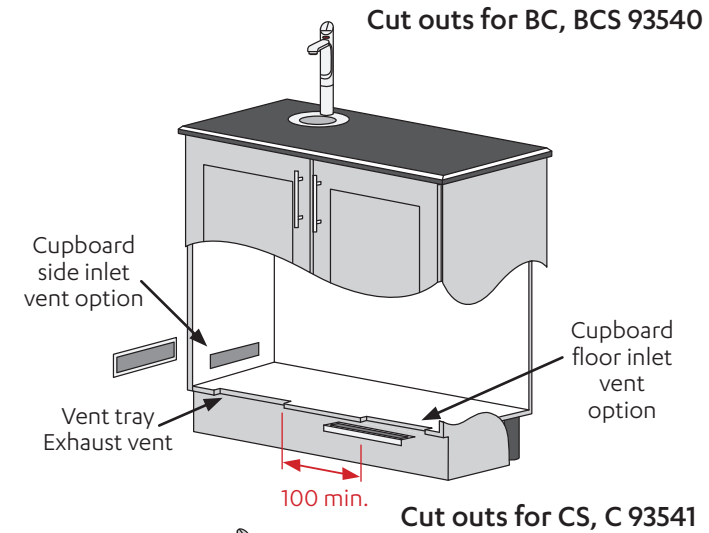
2 Positioning

- Observe the clearance envelope (below).
- Position the Tap and The Command centre as close together as possible.

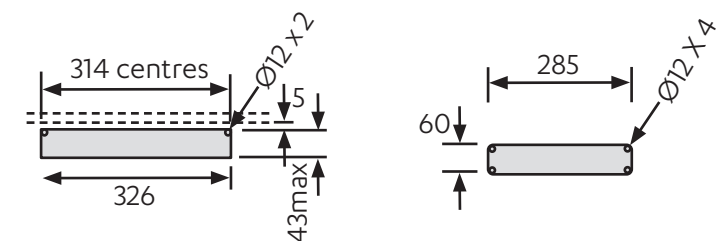


3 Plan the ventilation slots

- Choose an inlet vent option, plan the vent placement.
- Observe 100mm Inlet - Exhaust vent separation.



4 Cut out the ventilation grille slots



Cupboard floor inlet vent

Cupboard side inlet vent