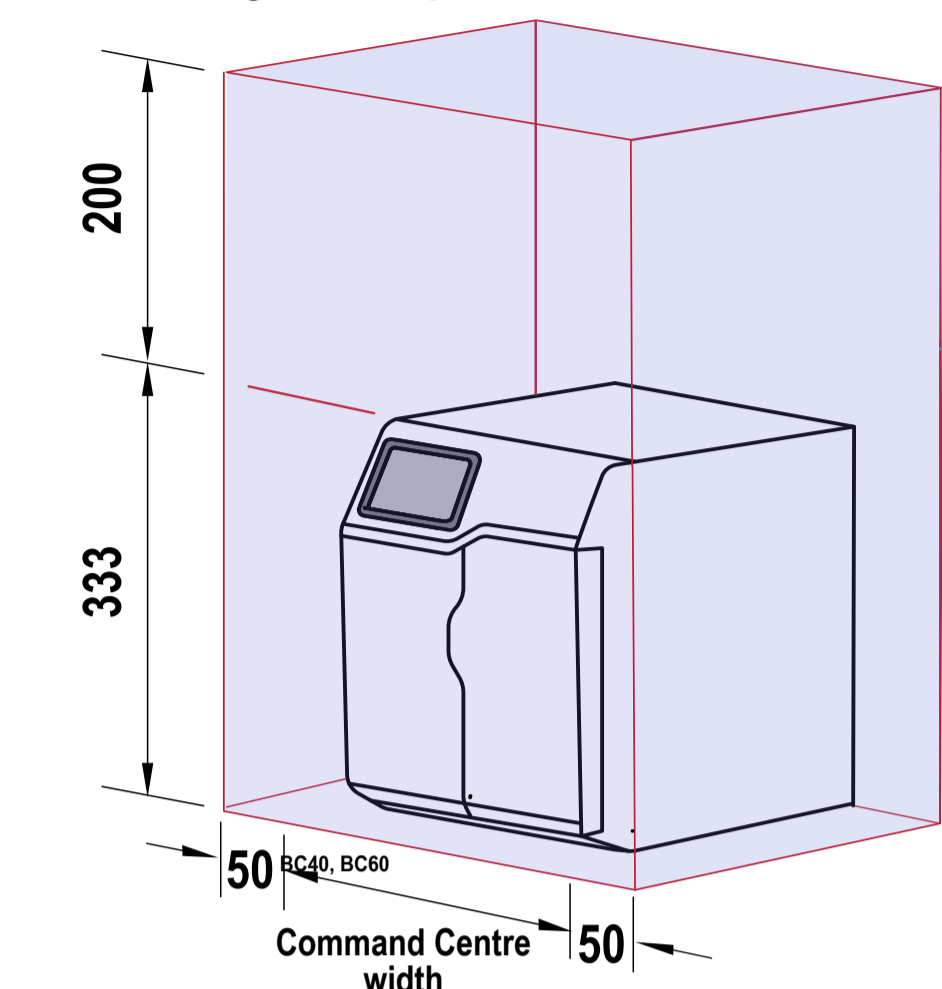


Ventilation requirements Contact your local service provider if ventilation is not suitable

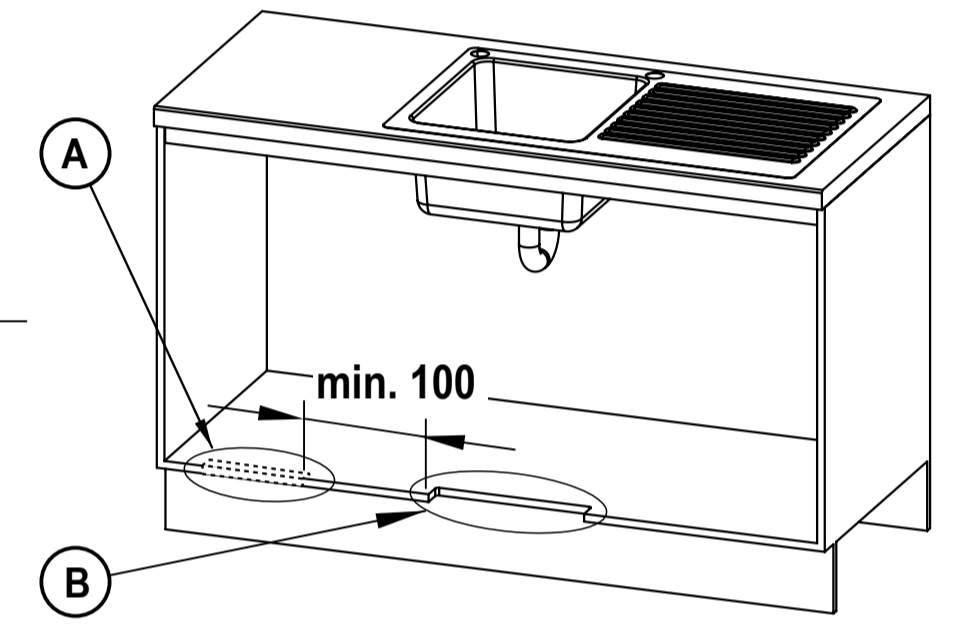
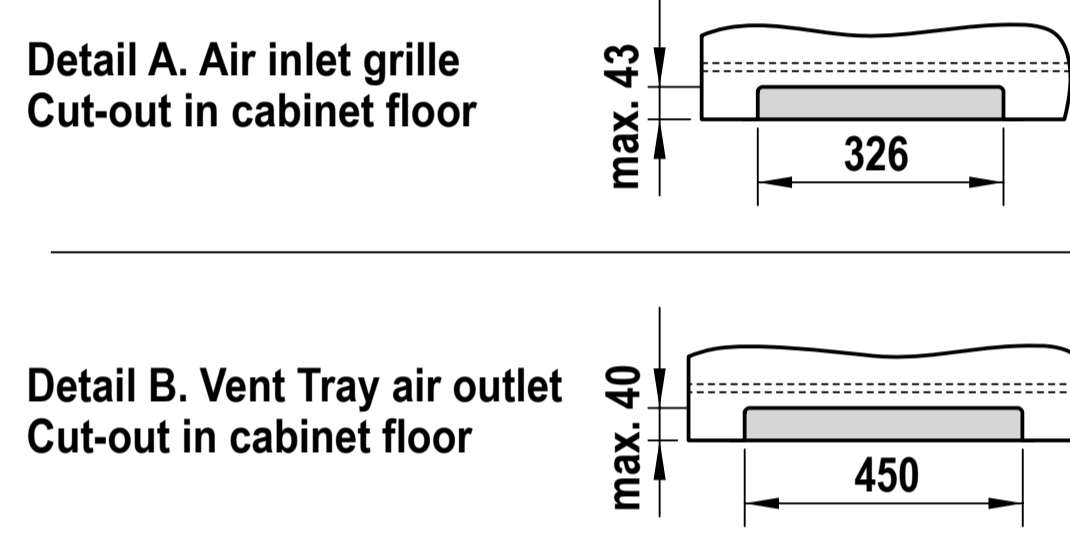
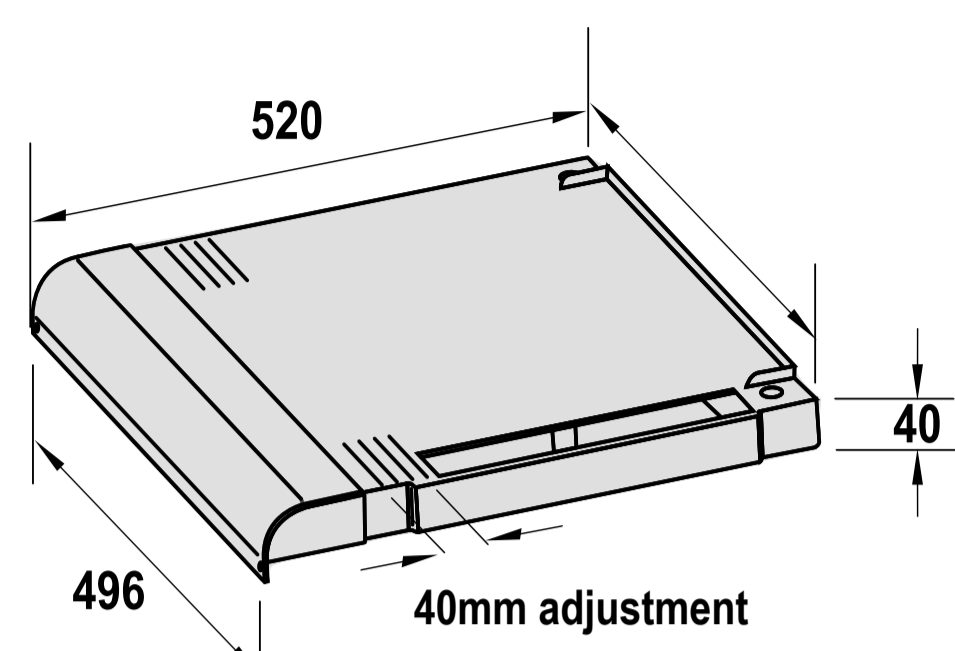
HydroTap Tap options

Clearance envelope

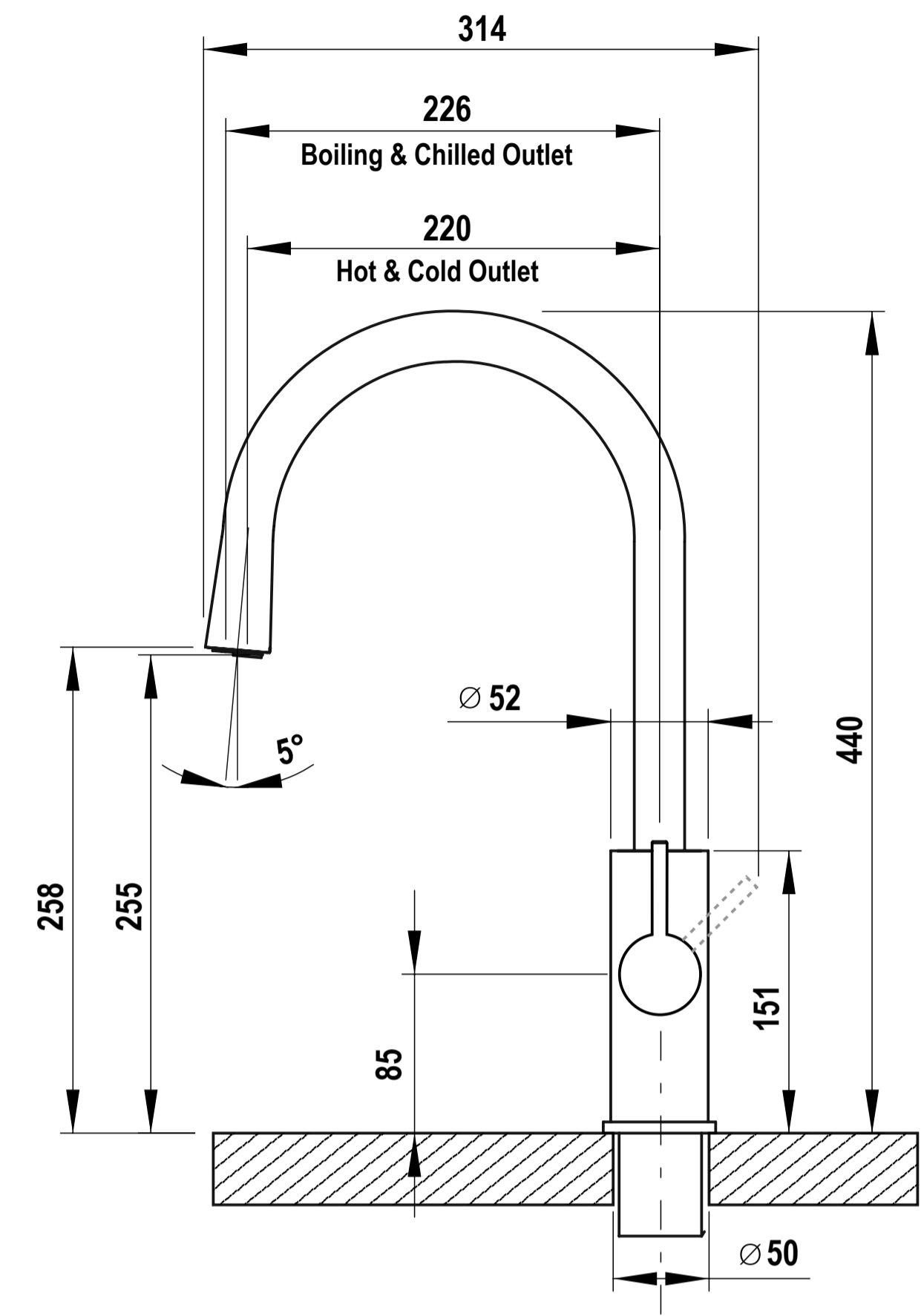
Position the Tap and the Command Centre as close together as possible.



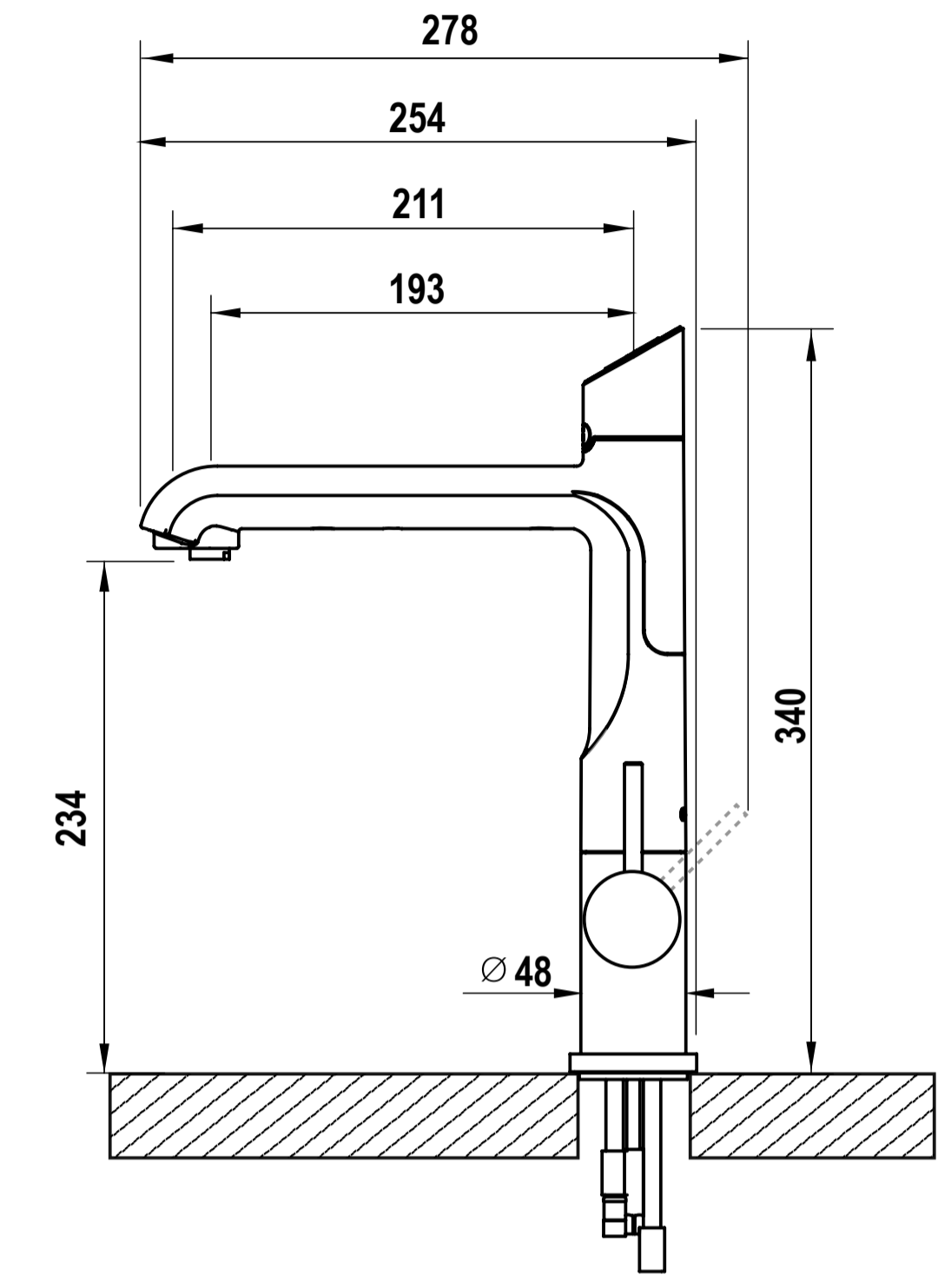
Vent tray (kit no. 93540)



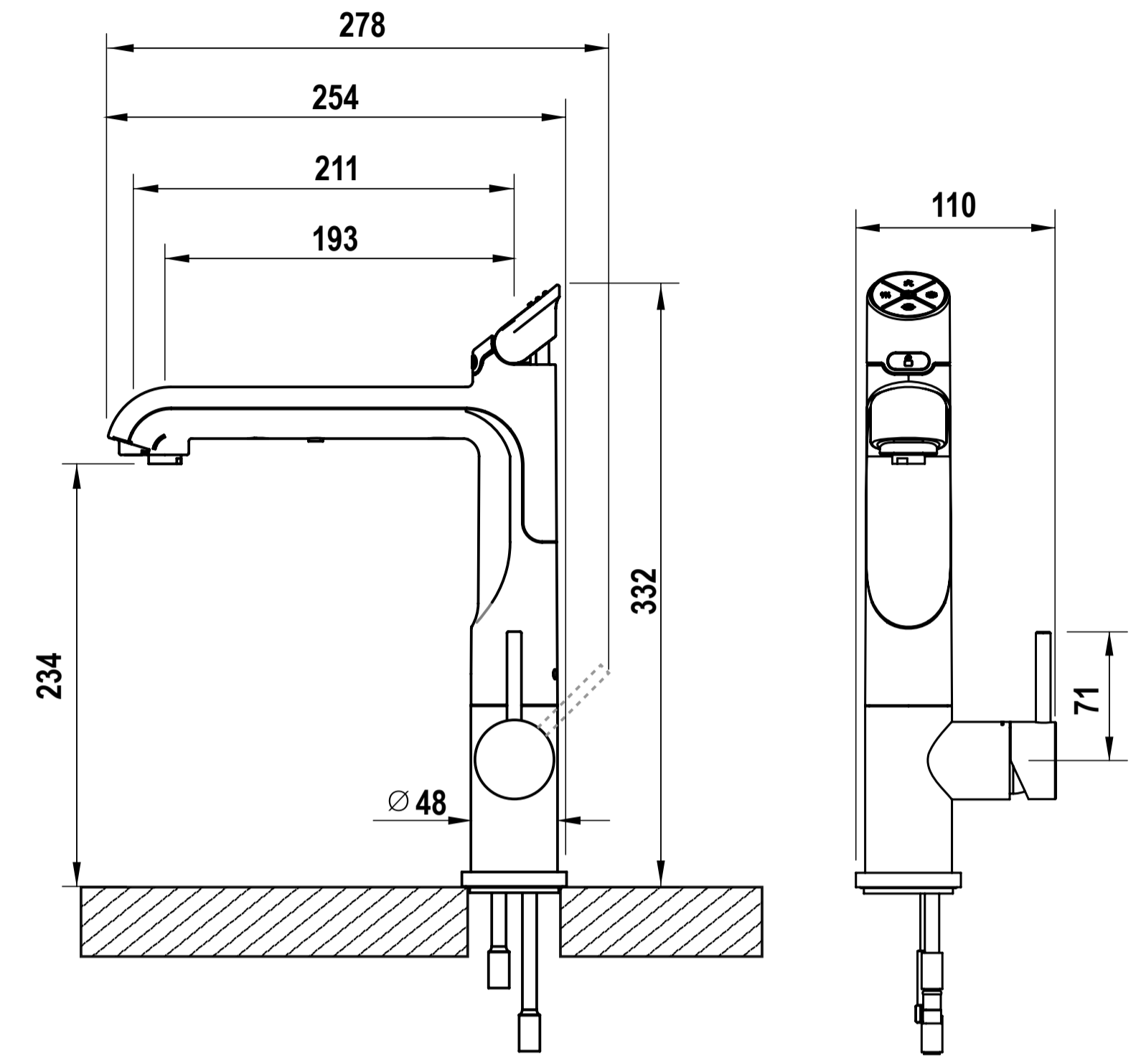
Celsius All-in-One Arc Tap



Classic Plus All-in-One Tap

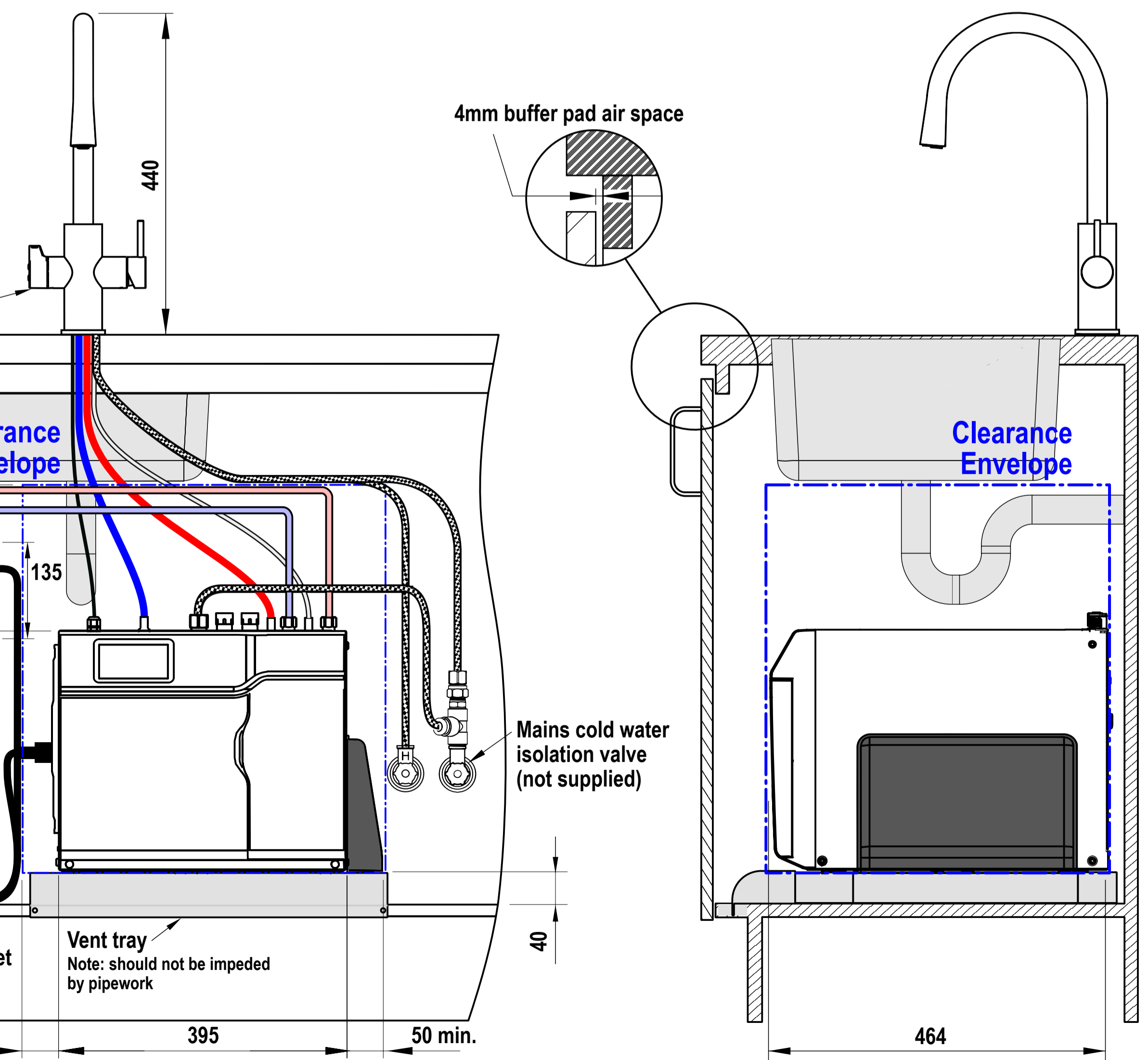
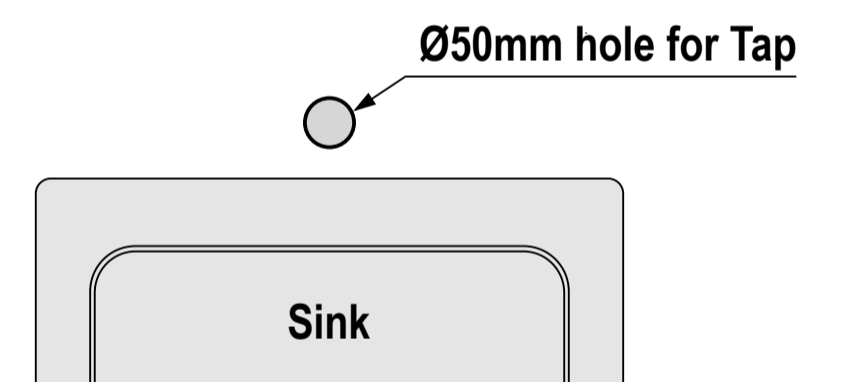


Classic All-in-One Tap



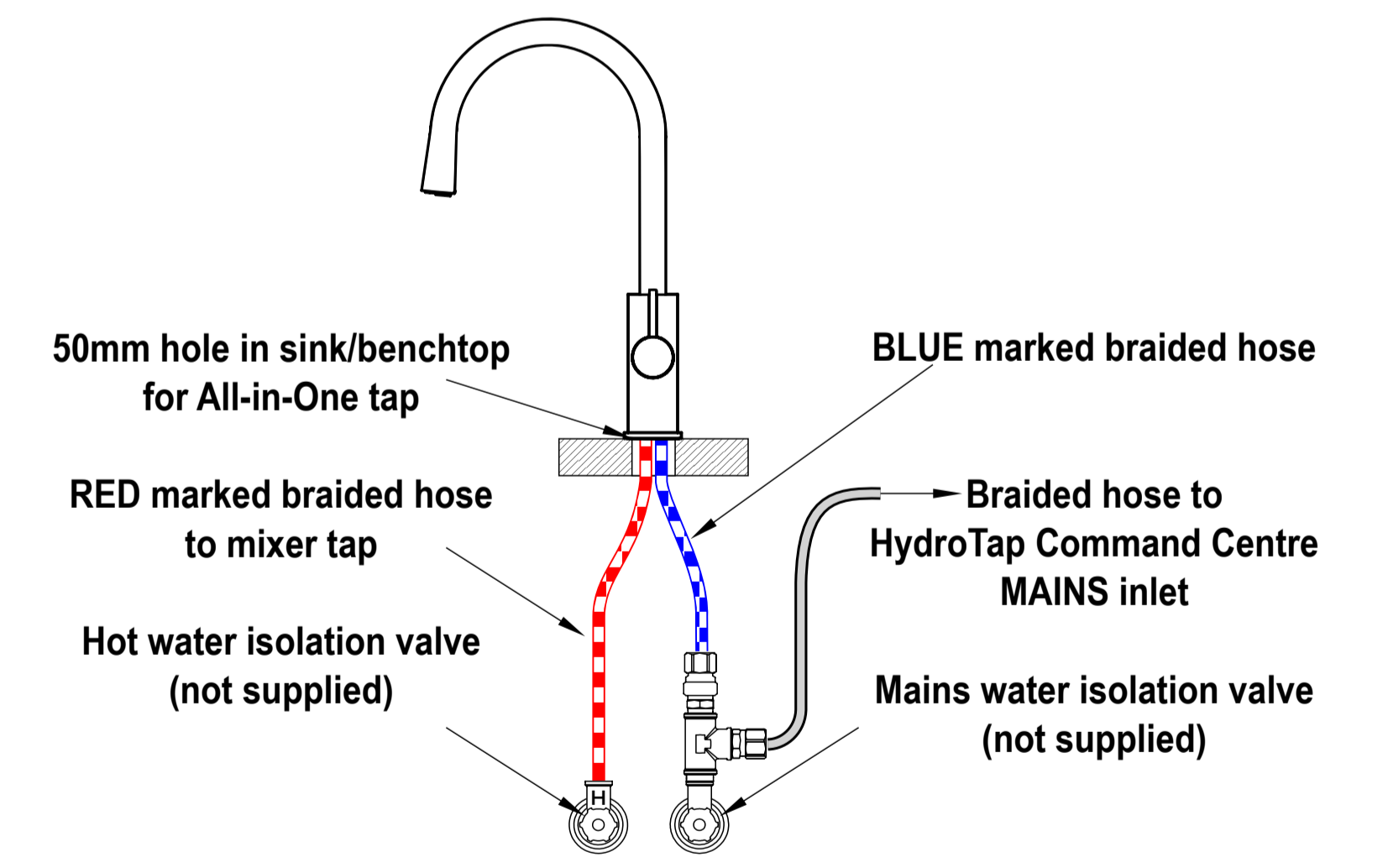
Tap Positioning

Position the Tap to dispense into the sink, allowing clearance for a cup or teapot.



Mains hot water supply installation

Hot and cold water supply required



**HydroTap G5
BC40, BC60, BC100**

shown with Celsius All-in-One Arc Tap

SCALE 1:5
ALL DIMENSIONS IN MM UNLESS OTHERWISE SPECIFIED. INSTALLATION DIAGRAMS ARE FOR ILLUSTRATIVE PURPOSES ONLY. HOSES ARE NOT SHOWN TO SCALE AND CANNOT BE LENGTHENED.