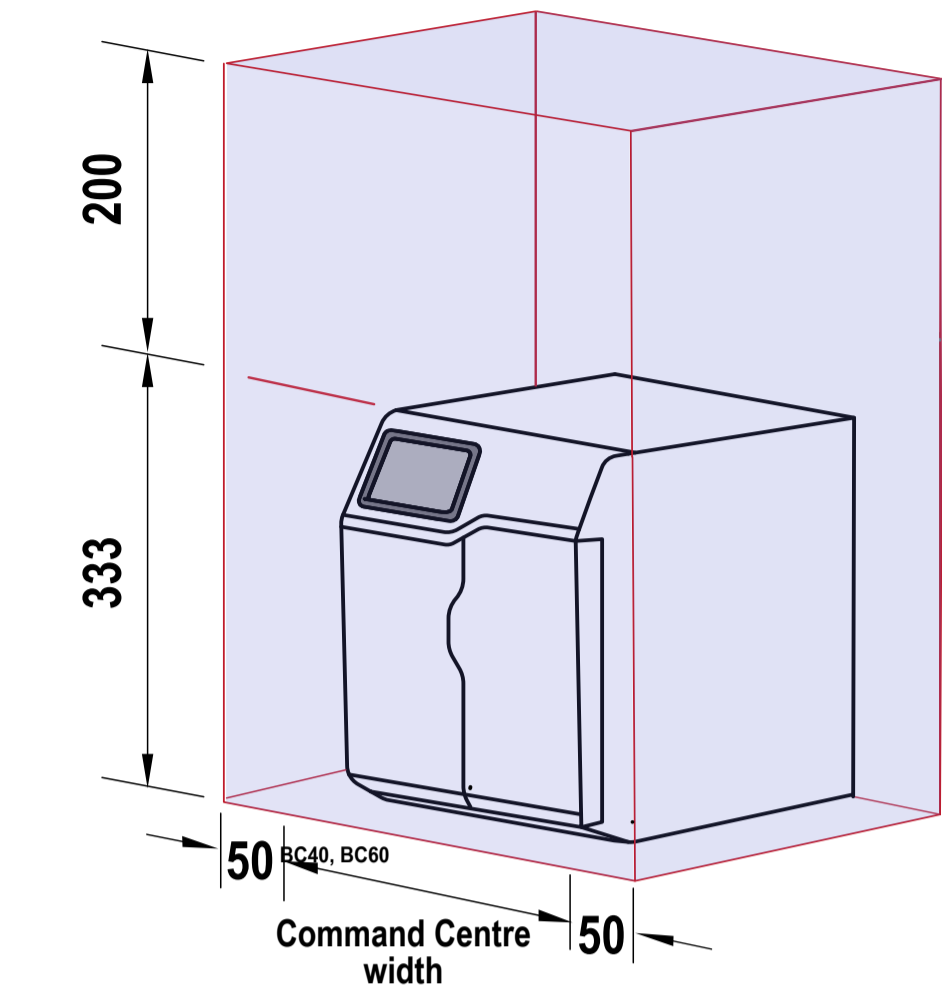


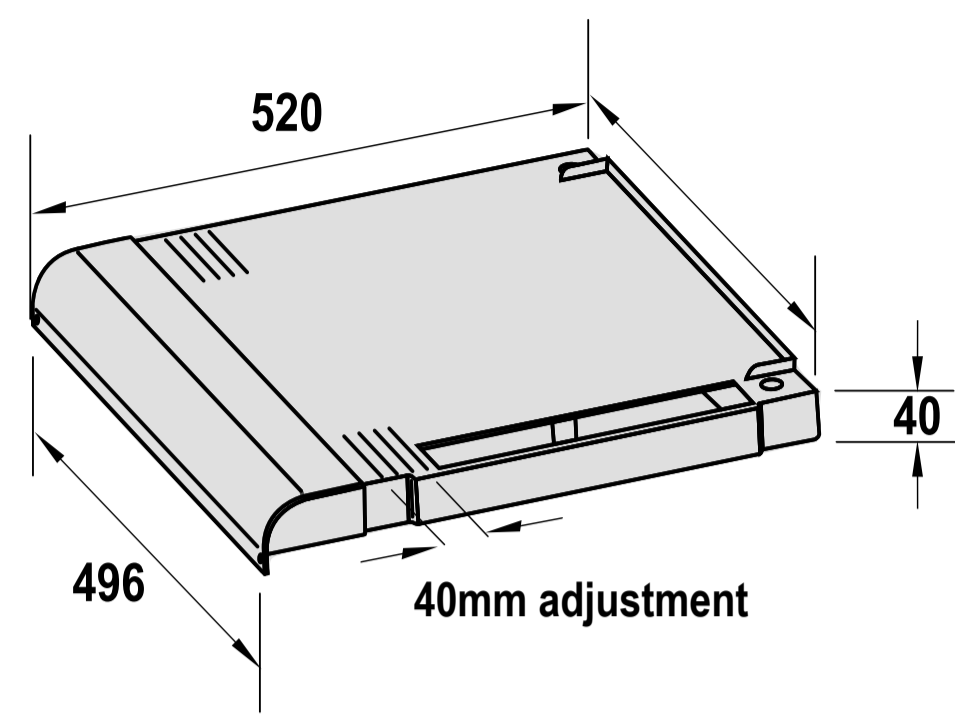
Ventilation requirements Contact your local service provider if ventilation is not suitable

Clearance envelope

Position the Tap and the Command Centre as close together as possible.

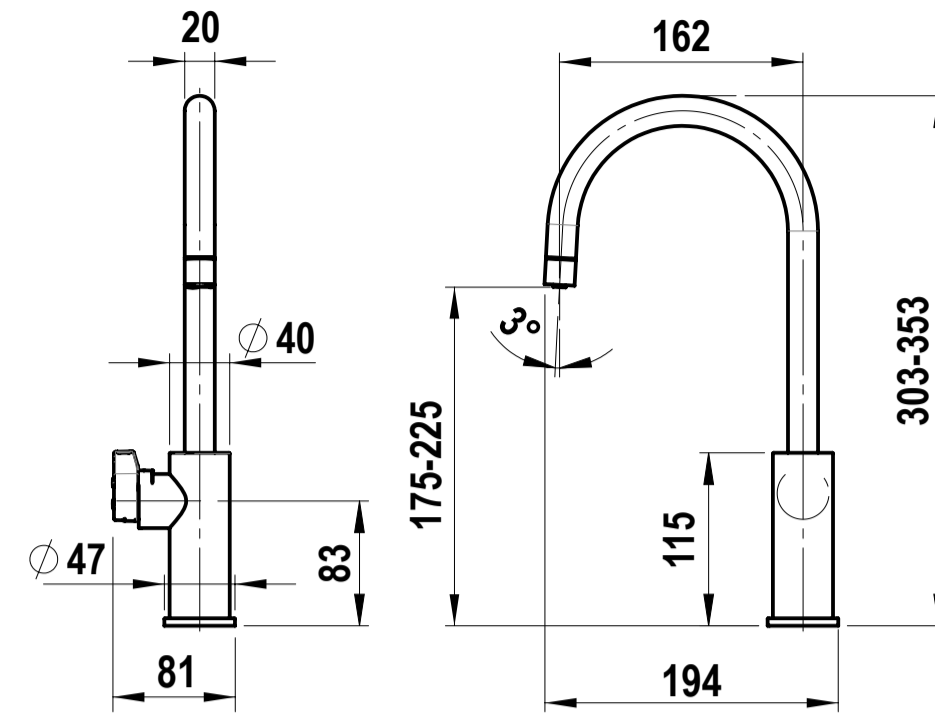


Vent tray (kit no. 93540)

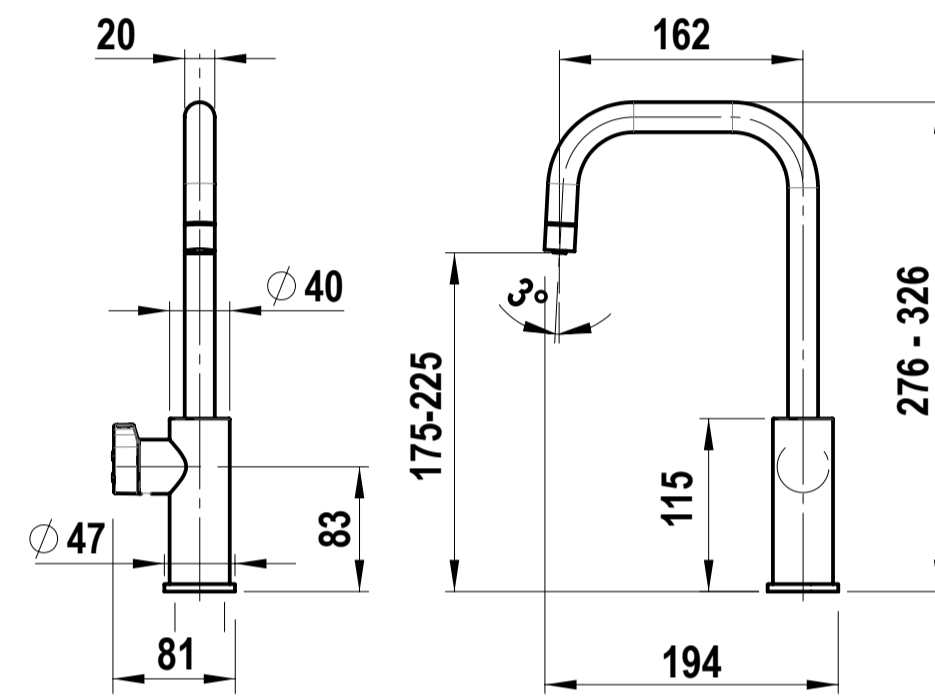


HydroTap Tap options

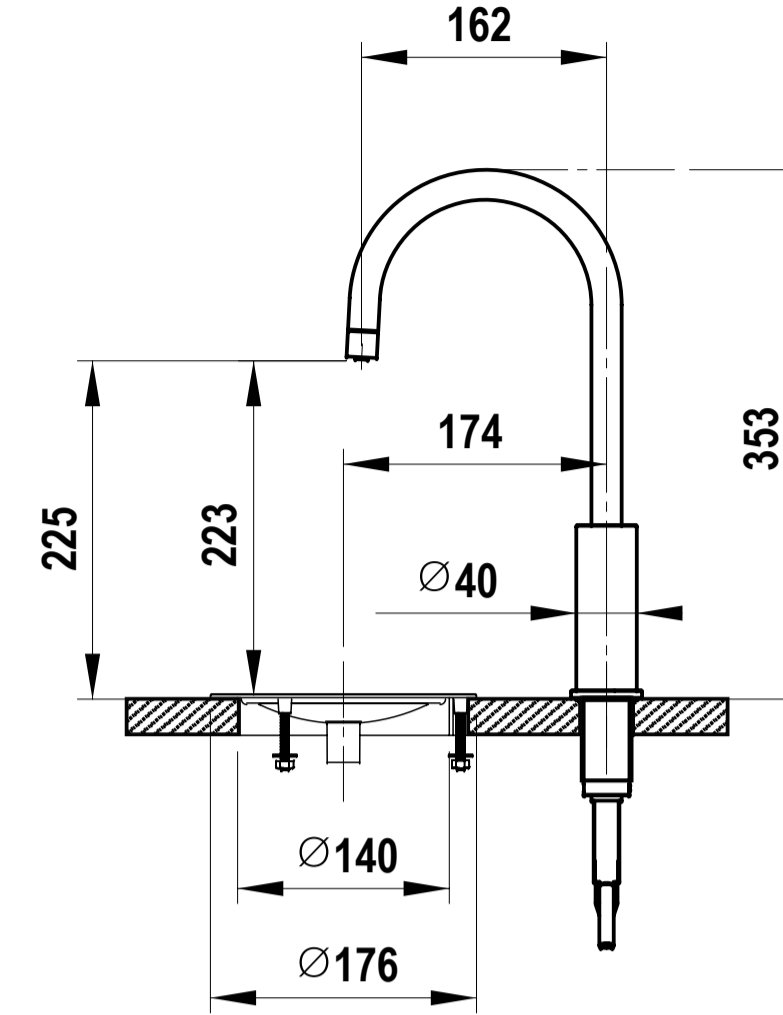
HydroTap Arc Tap



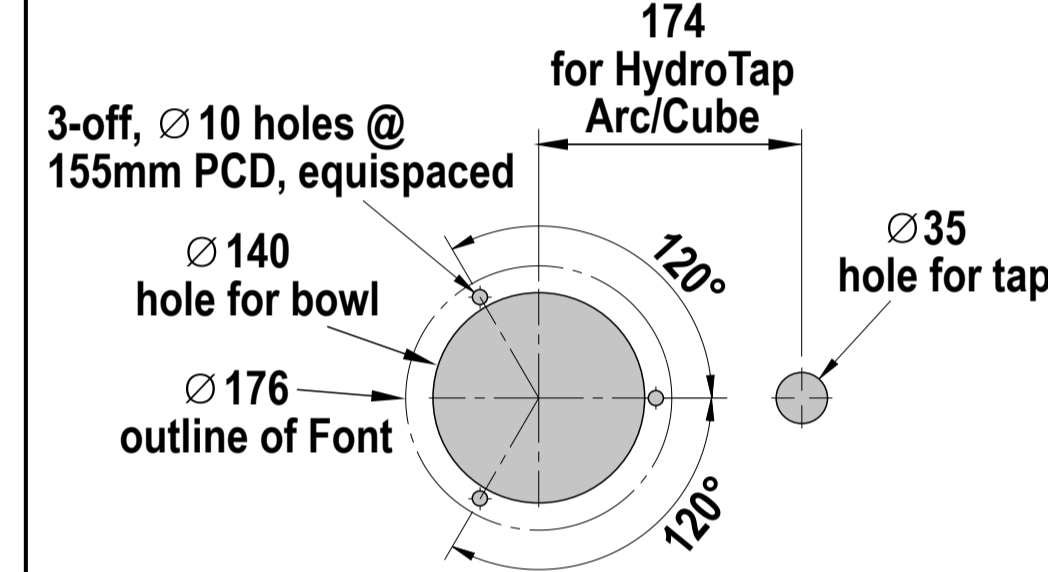
HydroTap Cube Tap



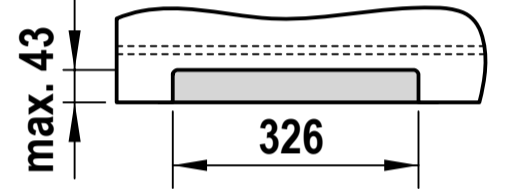
Standalone Font with Arc Tap



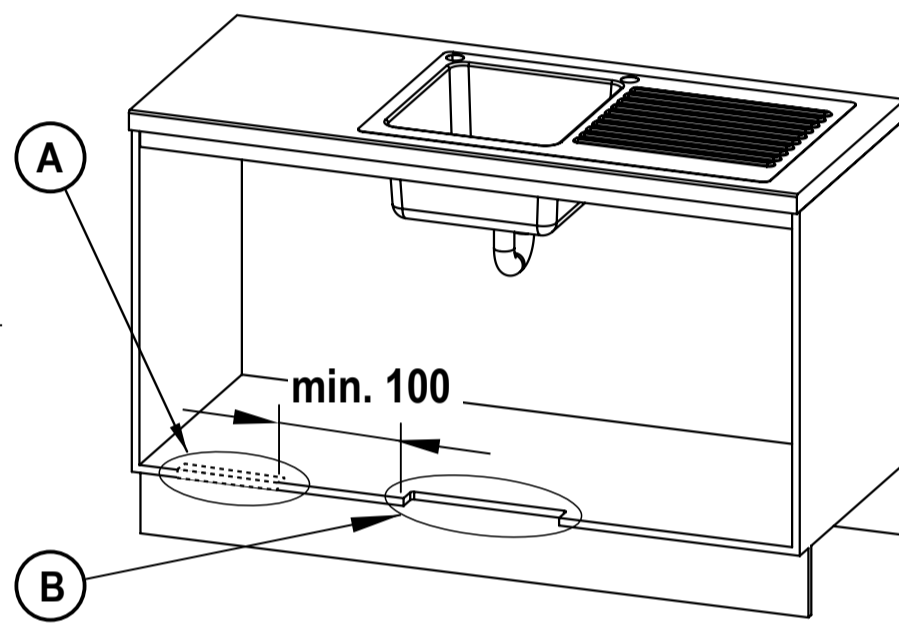
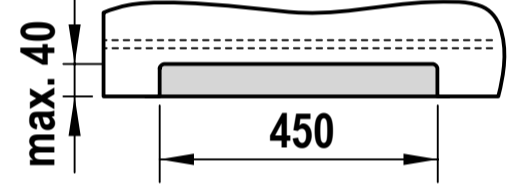
Cutting detail



Detail A. Air inlet grille
Cut-out in cabinet floor



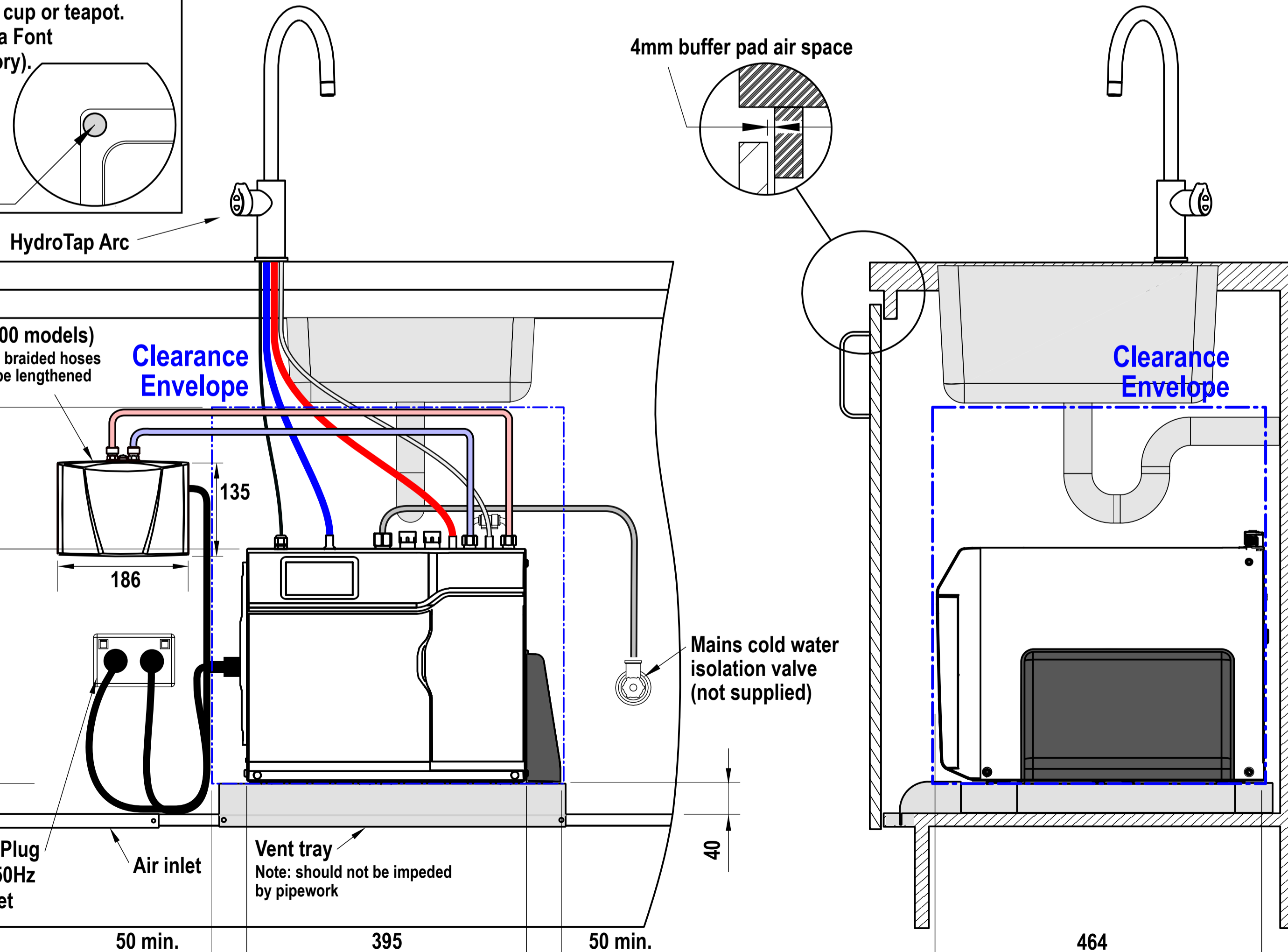
Detail B. Vent Tray air outlet
Cut-out in cabinet floor



Tap Positioning

Position the Tap to dispense into the sink, allowing clearance for a cup or teapot. Alternatively, mount on a Font (available as an accessory).

Ø35mm hole for HydroTap Tap



SCALE 1:5
ALL DIMENSIONS IN MM UNLESS OTHERWISE SPECIFIED. INSTALLATION DIAGRAMS ARE FOR ILLUSTRATIVE PURPOSES ONLY. HOSES ARE NOT SHOWN TO SCALE AND CANNOT BE LENGTHENED.

HydroTap G5
BC40, BC60, BC100

shown with HydroTap Arc