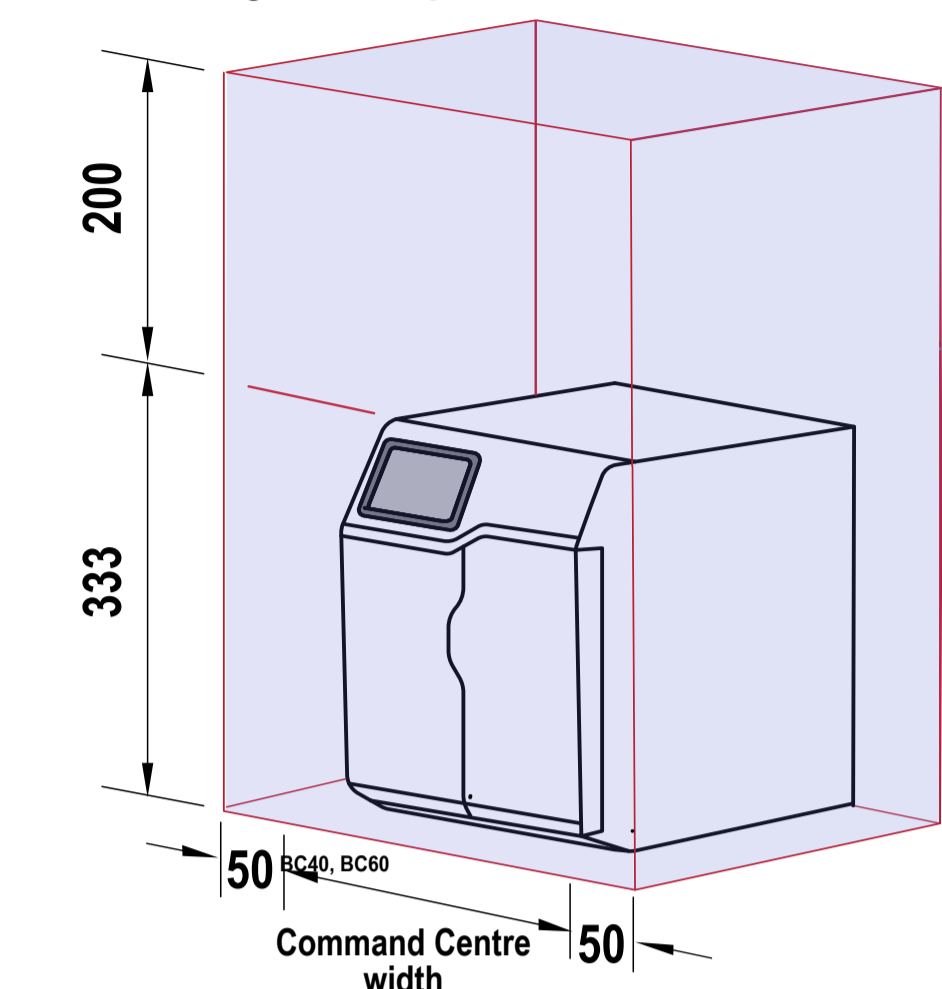


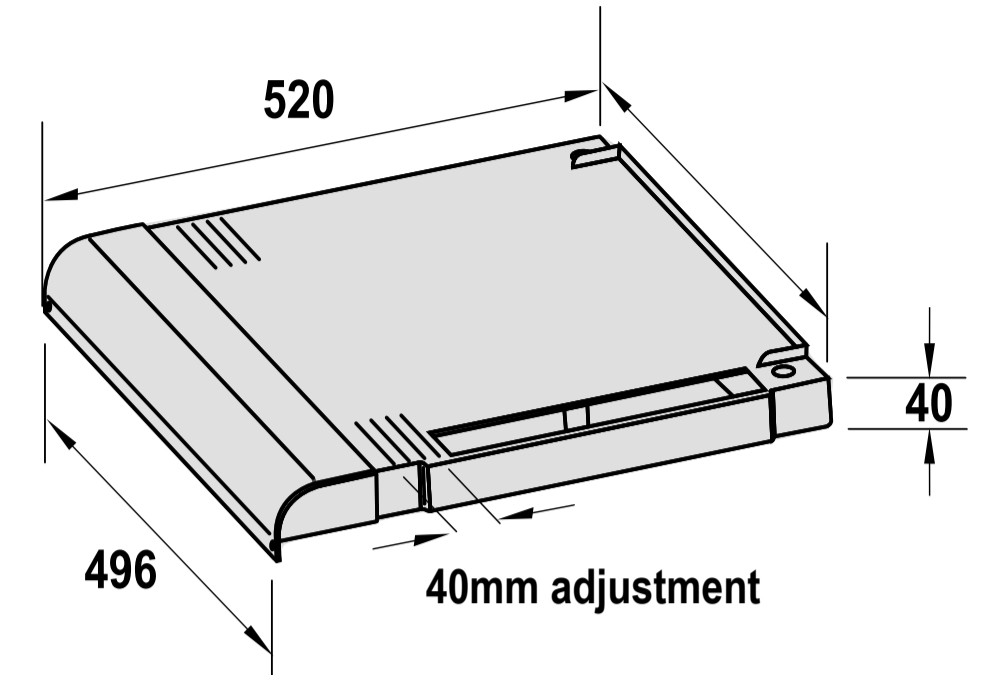
Ventilation requirements Contact your local service provider if ventilation is not suitable

Clearance envelope

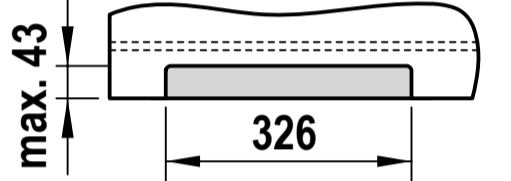
Position the Tap and the Command Centre as close together as possible.



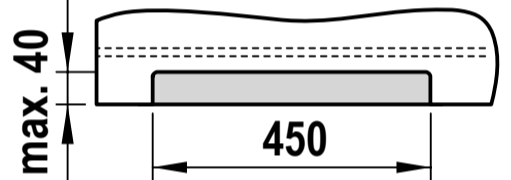
Vent tray (kit no. 93540)



Detail A. Air inlet grille
Cut-out in cabinet floor

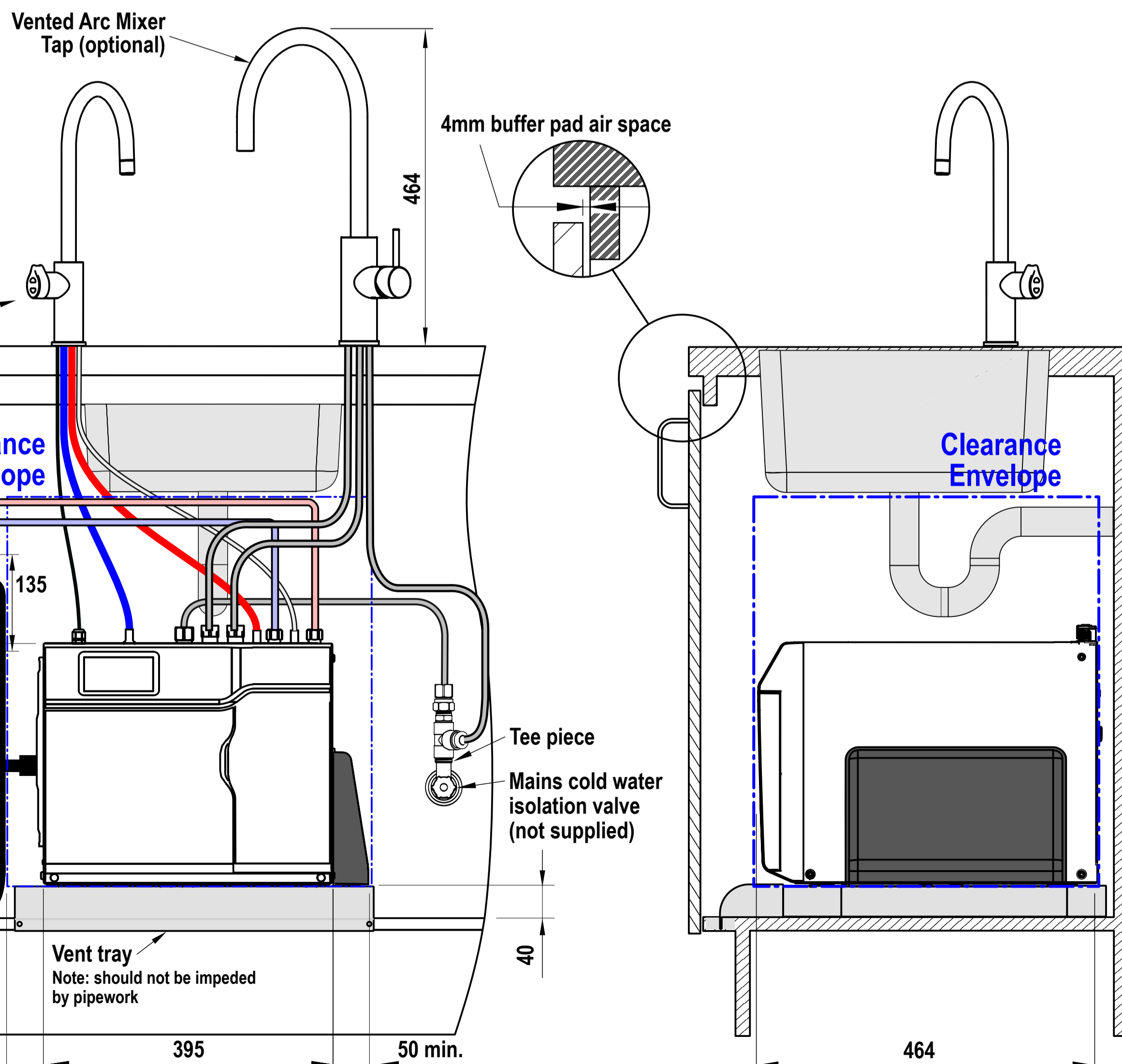
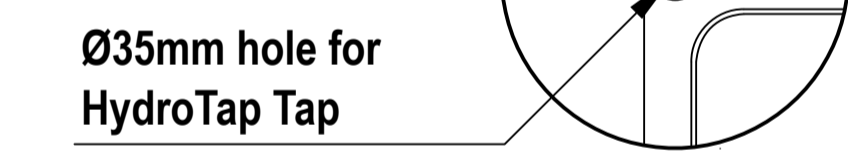


Detail B. Vent Tray air outlet
Cut-out in cabinet floor



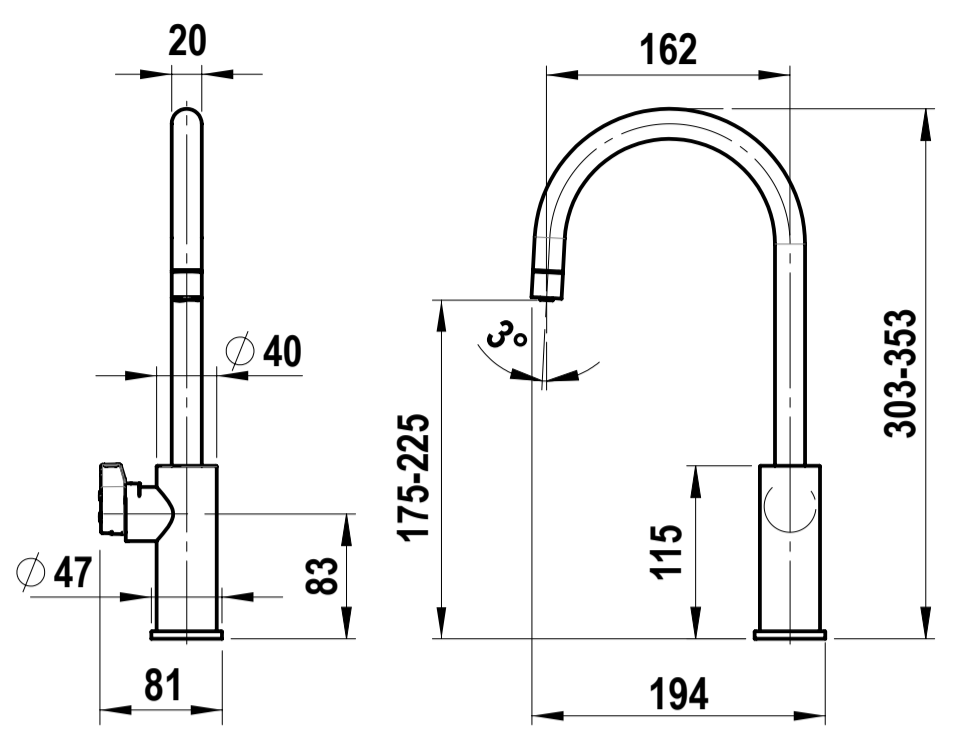
Tap Positioning

Position the Tap to dispense into the sink, allowing clearance for a cup or teapot. Alternatively, mount on a Font (available as an accessory).

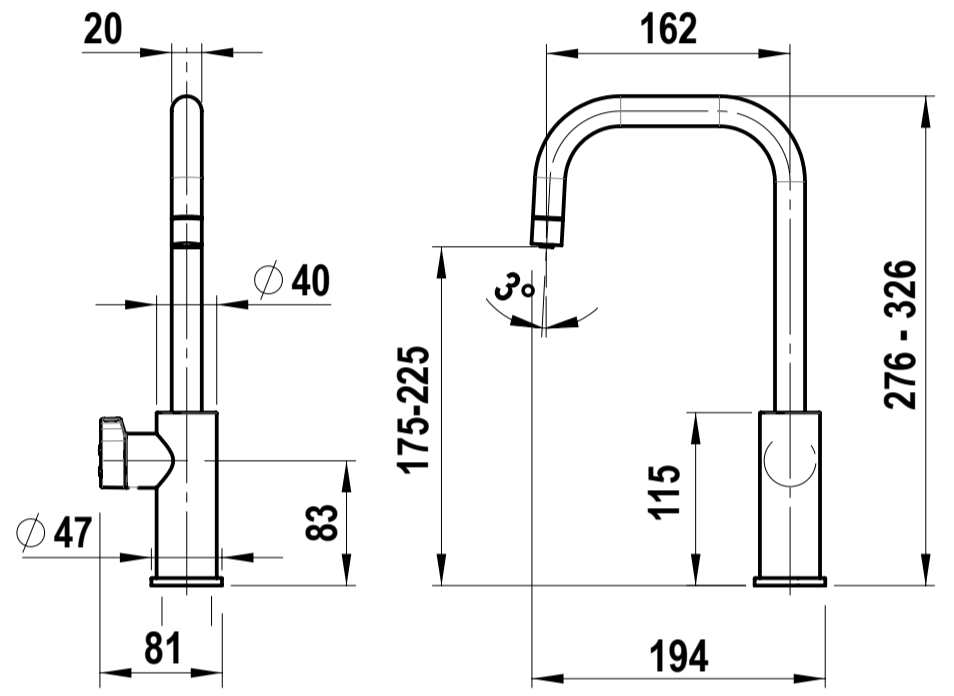


HydroTap Tap options

HydroTap Arc Tap

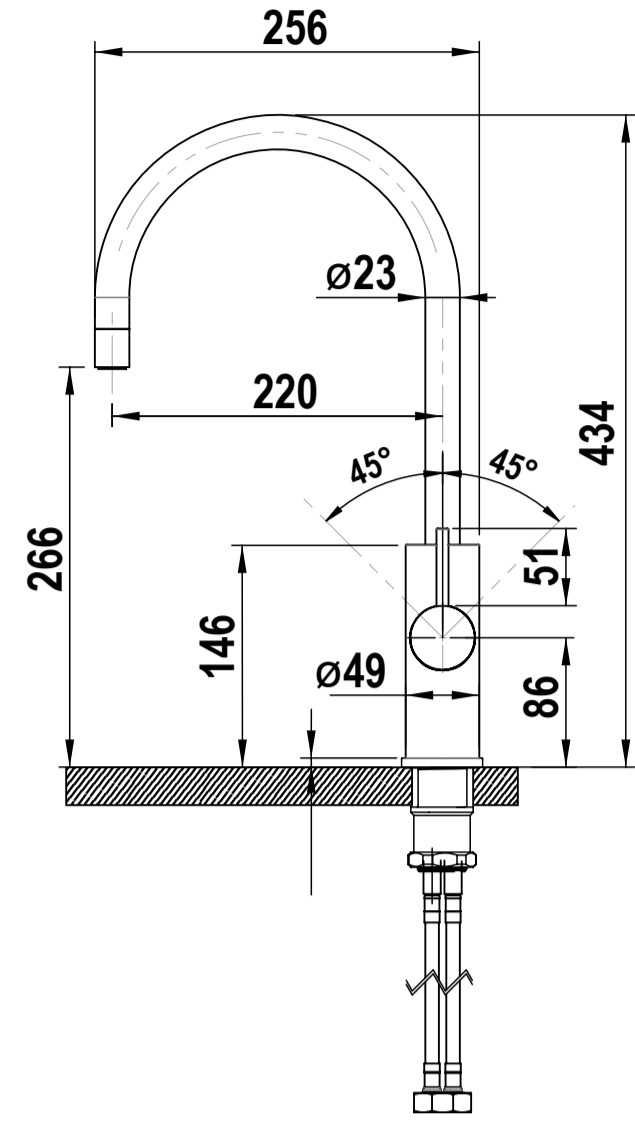


HydroTap Cube Tap

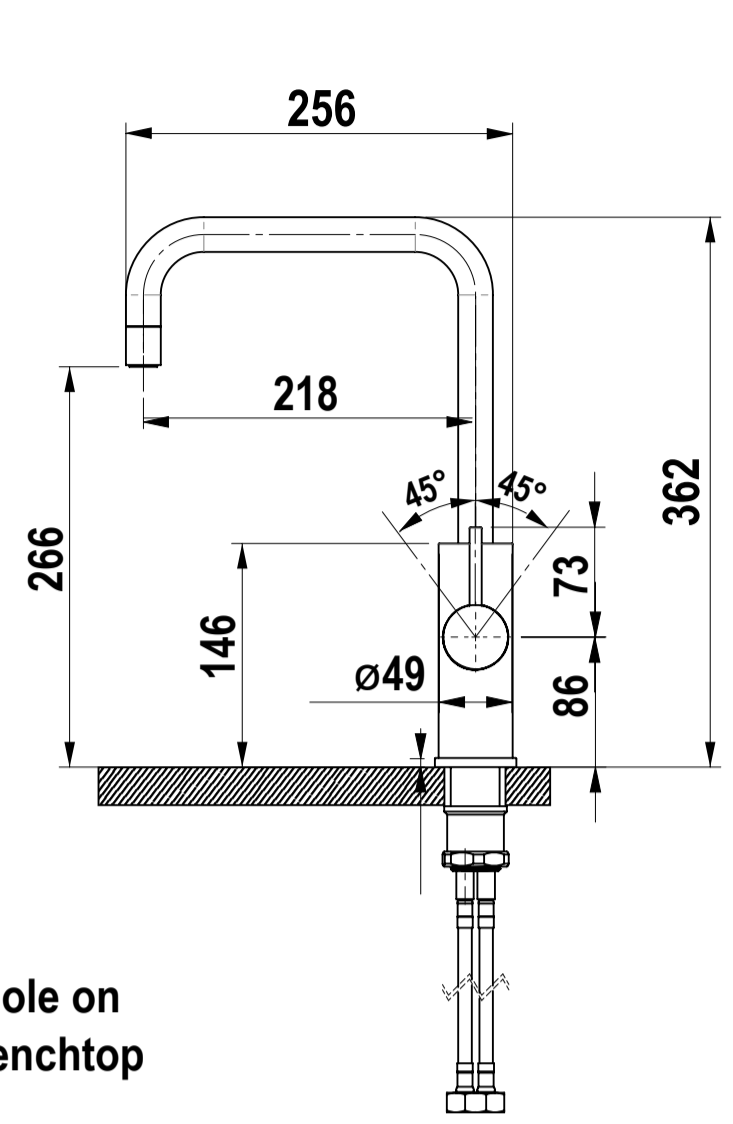


Mixer Tap options

Arc Mixer Tap

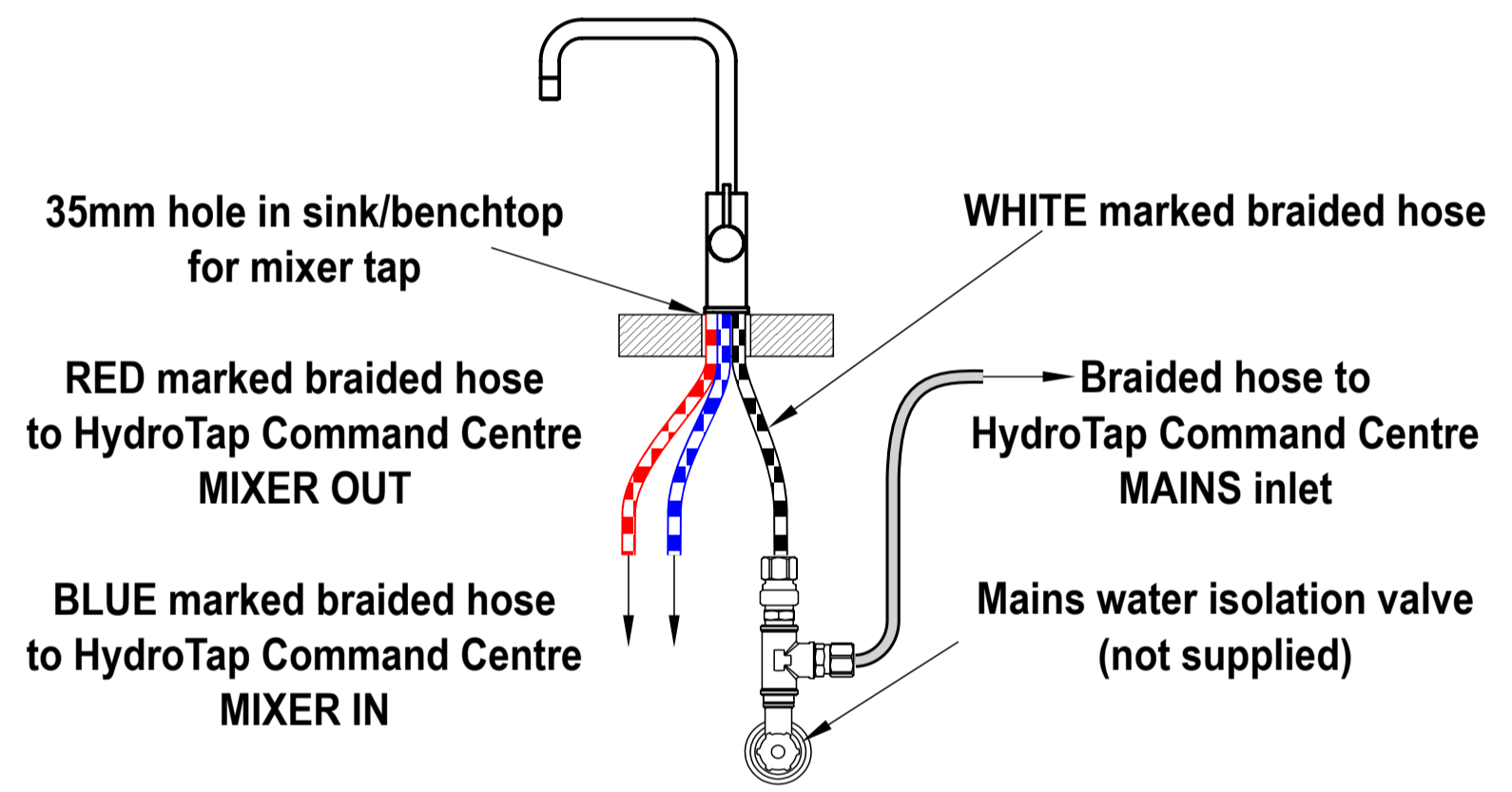


Cube Mixer Tap



Vented mixer tap installation

Only cold water supply required



HydroTap G5
BC40 H, BC60 H, BC100 H

shown with HydroTap Arc
shown with Arc Mixer Tap (V)