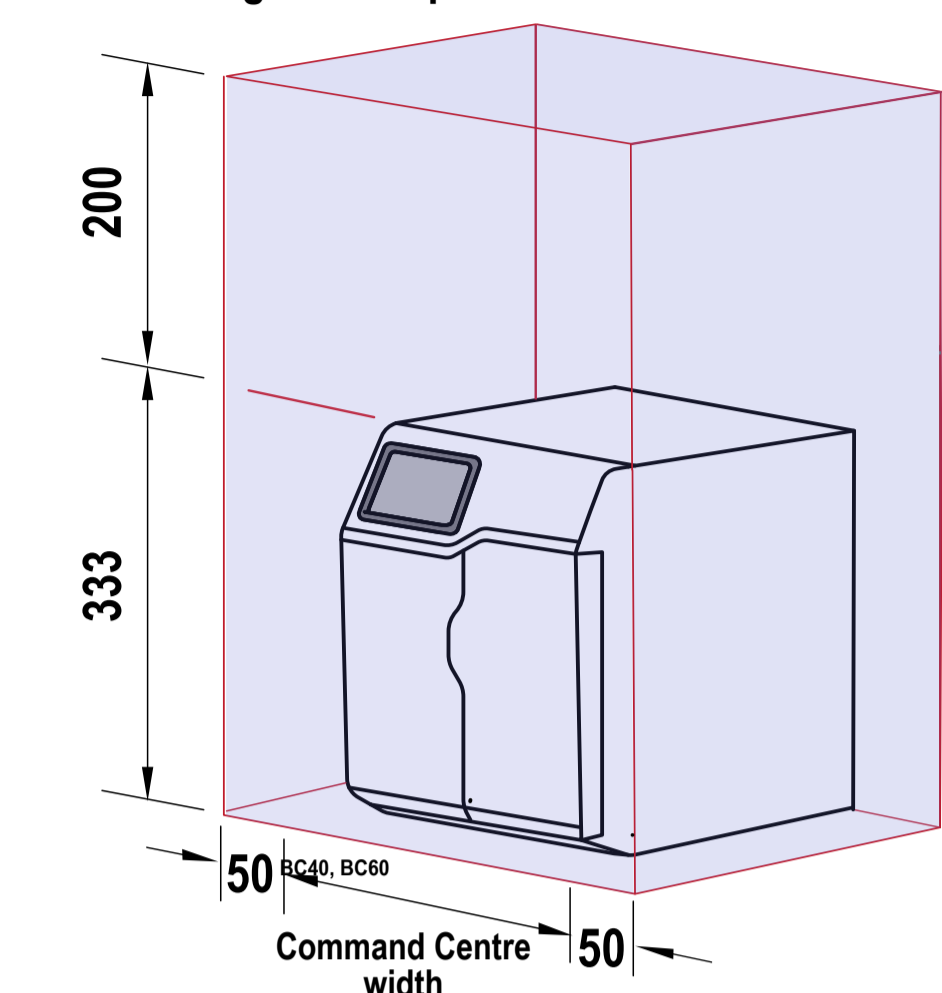


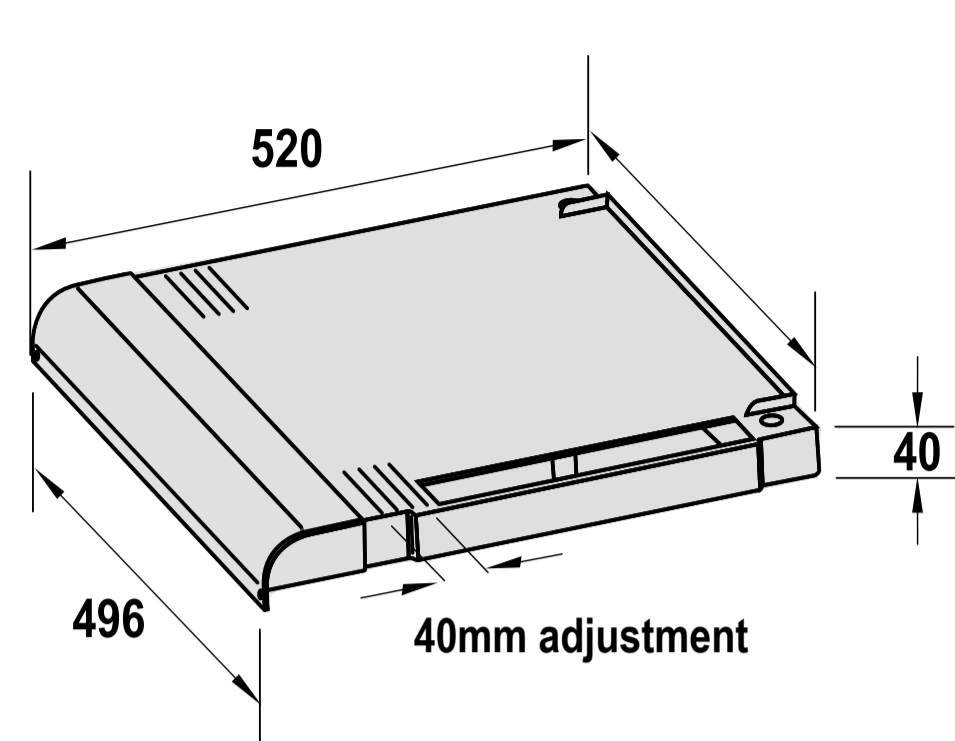
Ventilation requirements Contact your local service provider if ventilation is not suitable

Clearance envelope

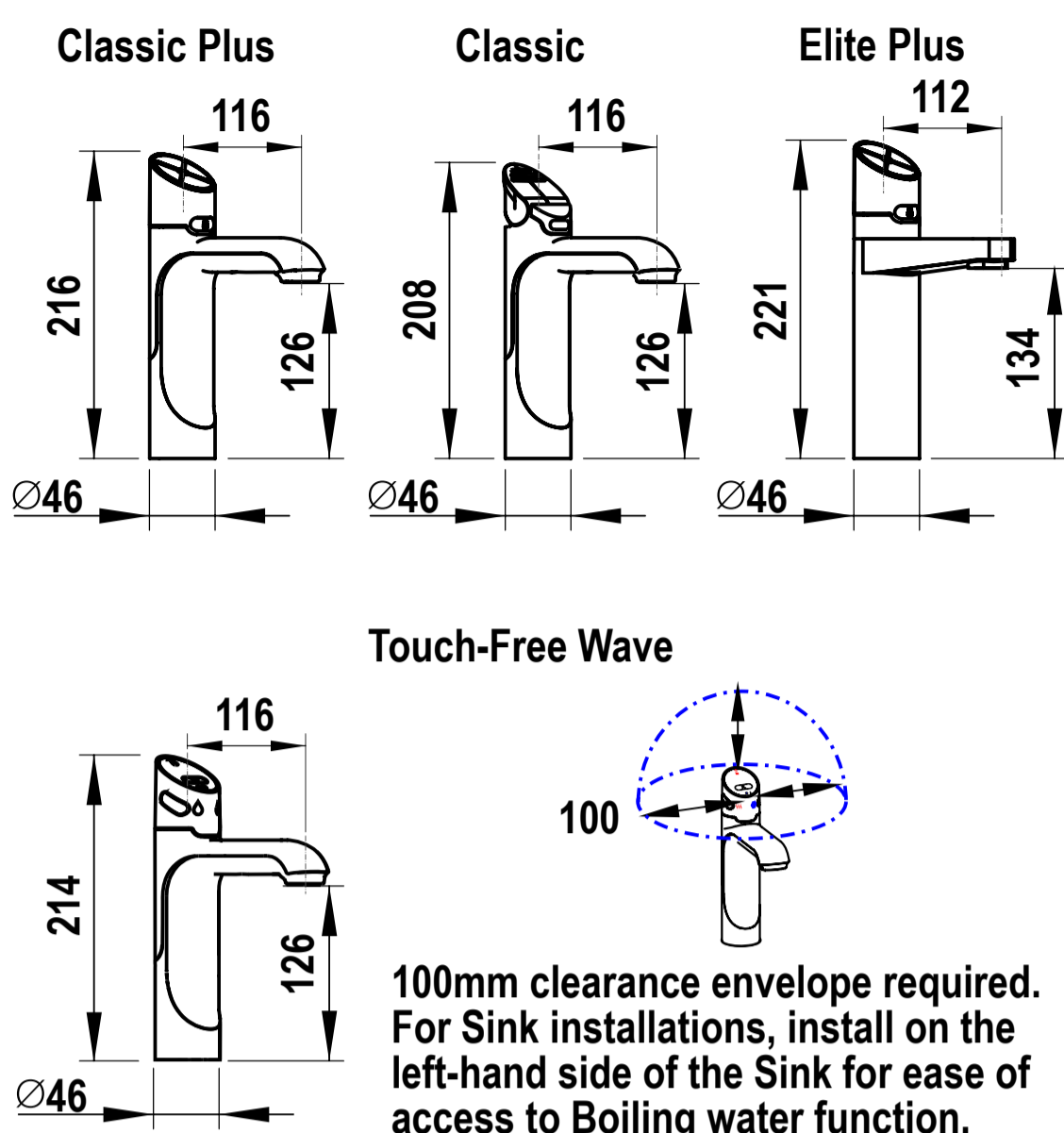
Position the Tap and the Command Centre as close together as possible.



Vent tray (kit no. 93540)

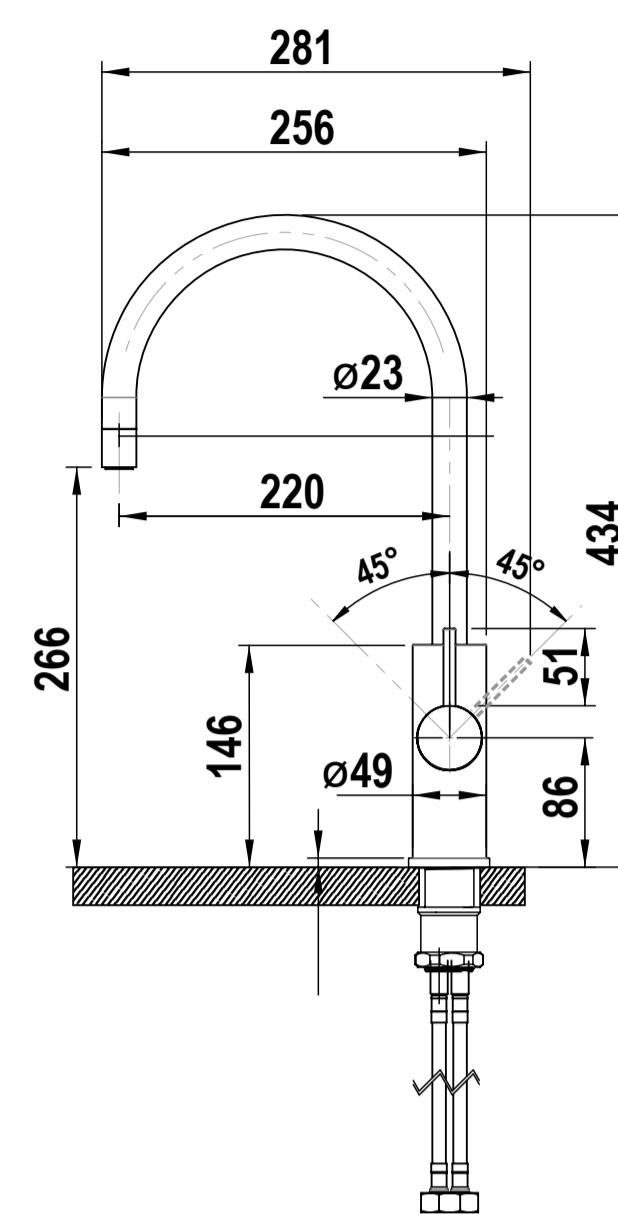


HydroTap Tap options

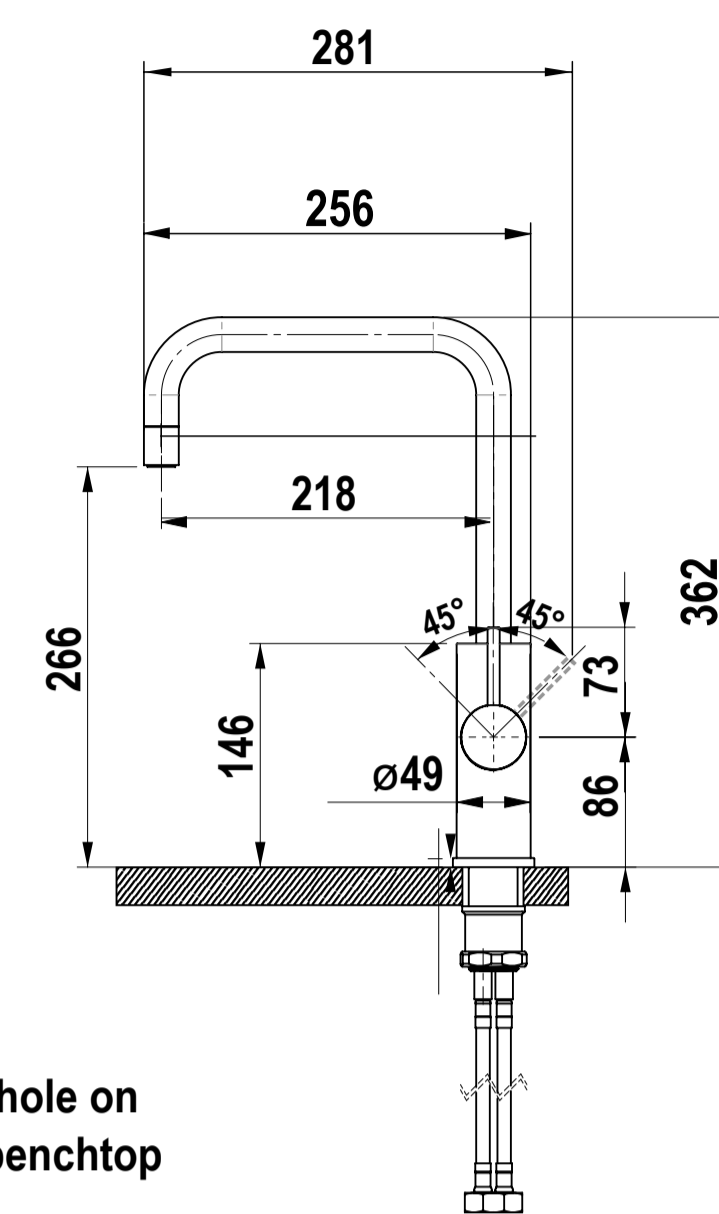


Mixer Tap options

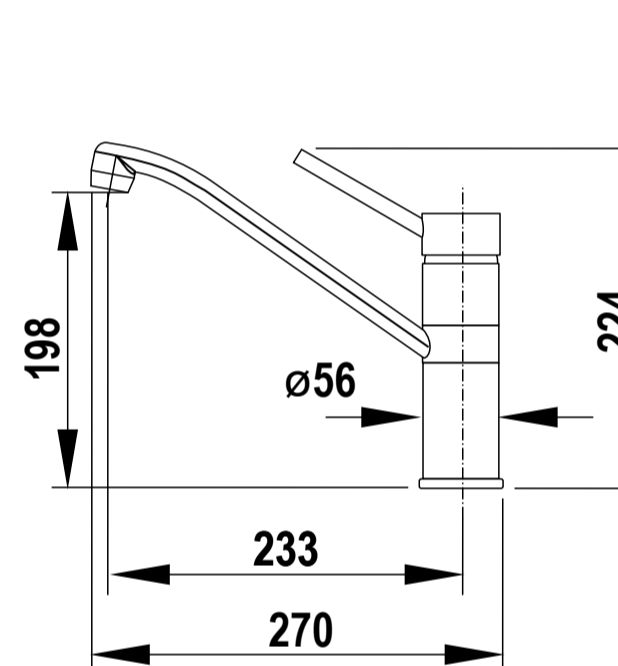
Arc Mixer Tap



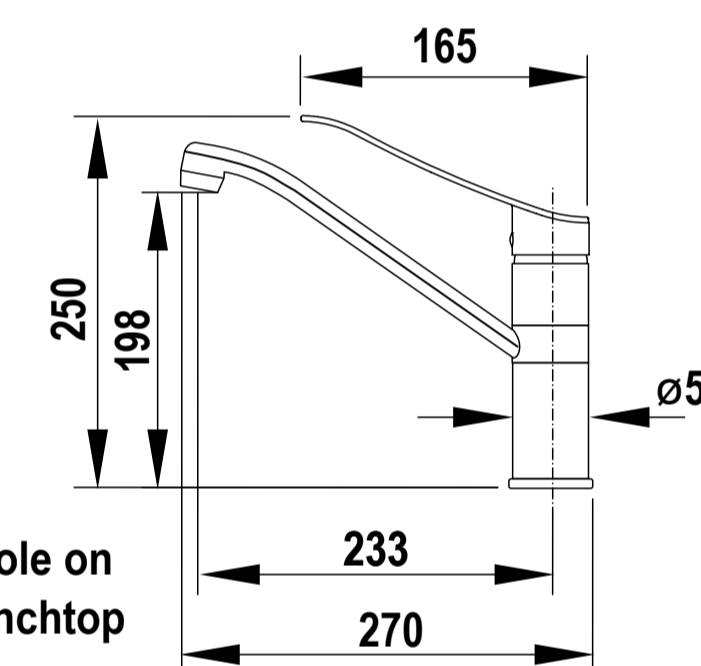
Cube Mixer Tap



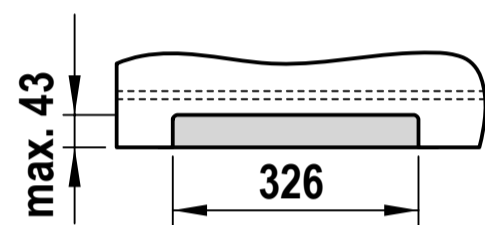
Classic Mixer Tap



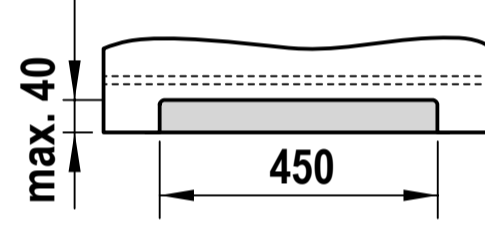
Accessible Mixer Tap



Detail A. Air inlet grille
Cut-out in cabinet floor

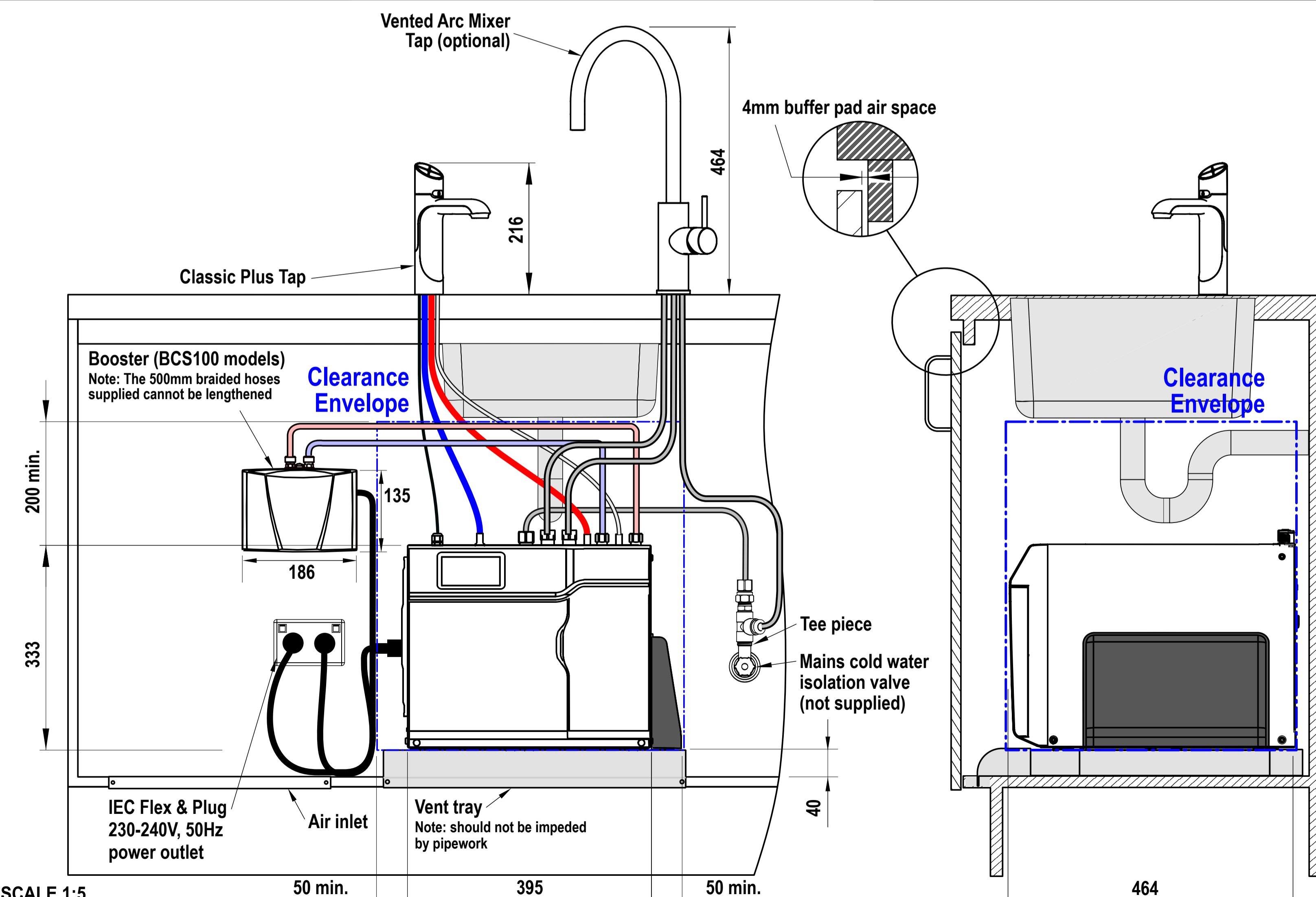


Detail B. Vent Tray air outlet
Cut-out in cabinet floor



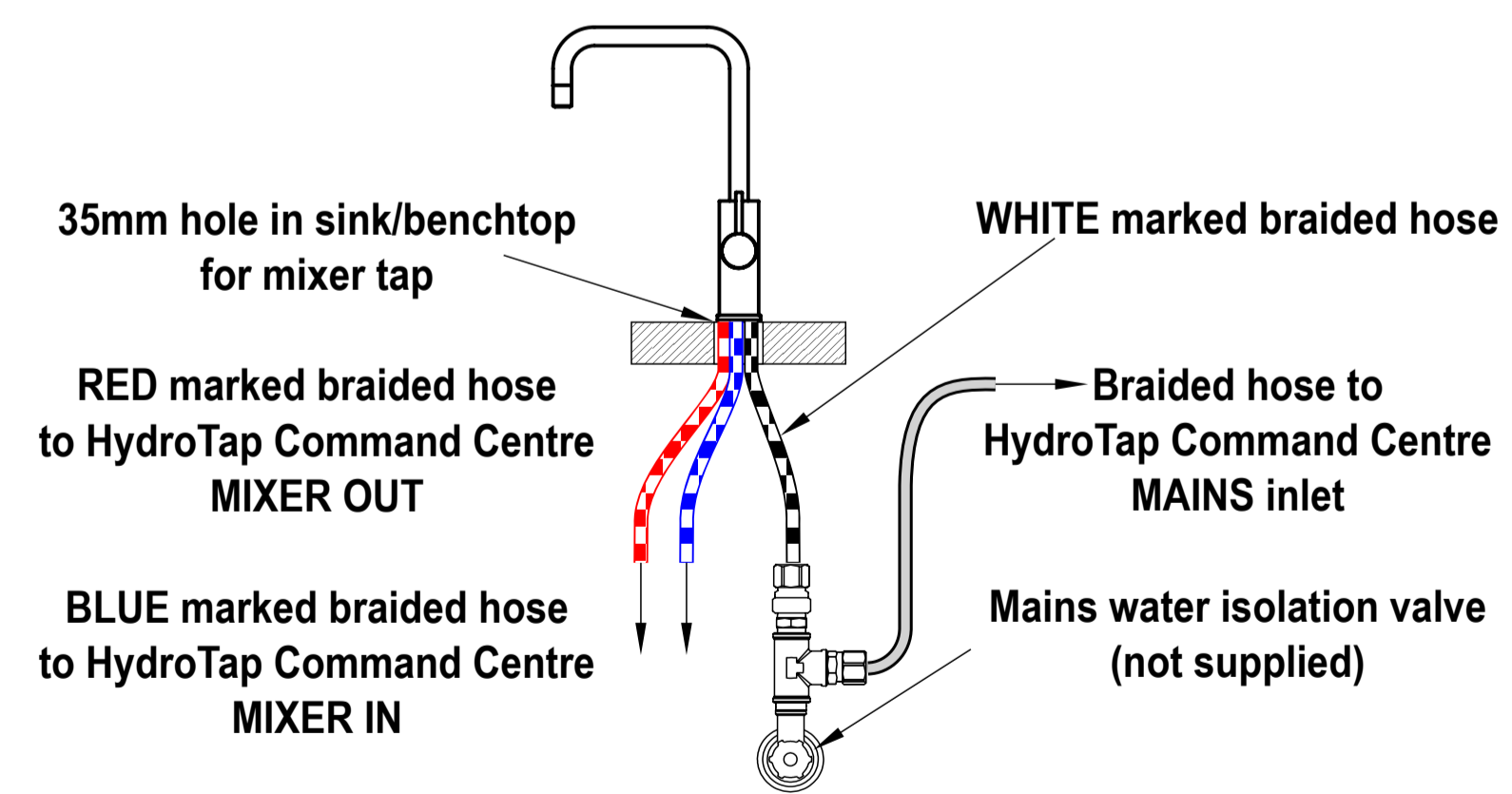
Tap Positioning

Position the Tap to dispense into the sink, allowing clearance for a cup or teapot. Alternatively, mount the HydroTap Tap on a Font (available as an accessory).



Vented mixer tap installation

Only cold water supply required



HydroTap G5
BC40 H, BC60 H, BC100 H

shown with "Classic Plus" Tap and Arc Mixer Tap (V)