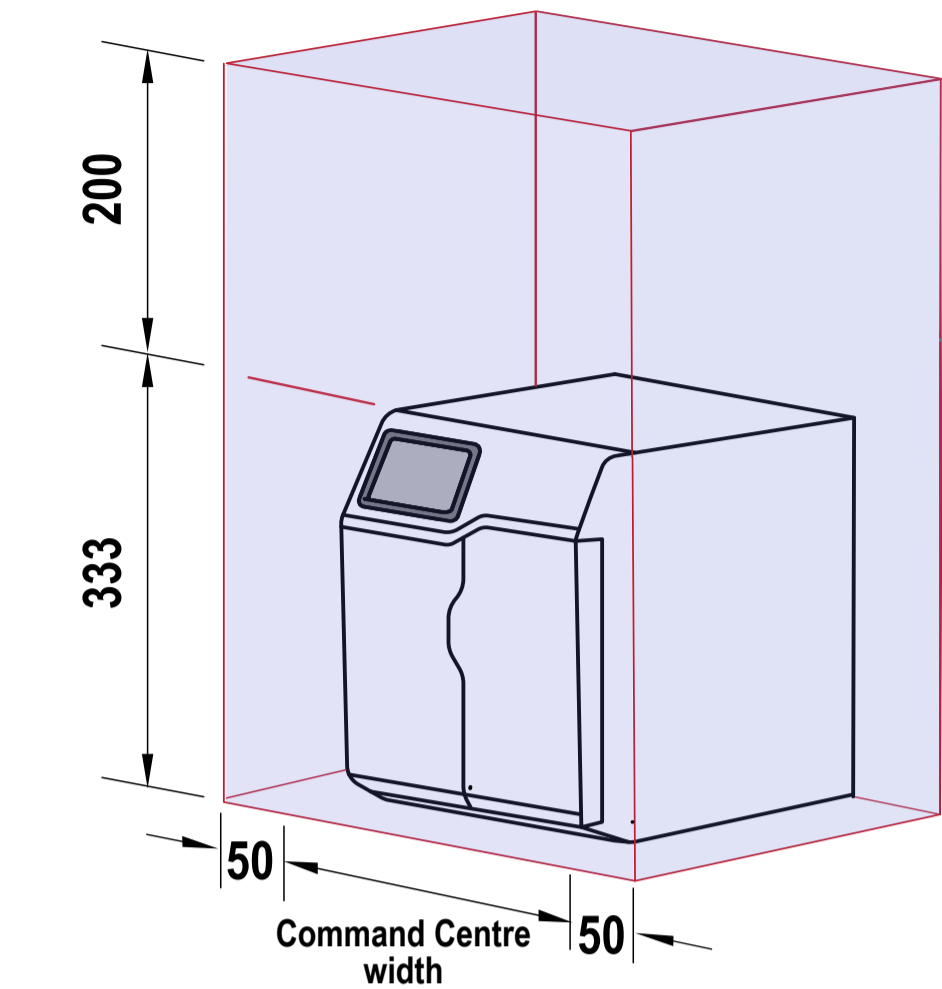


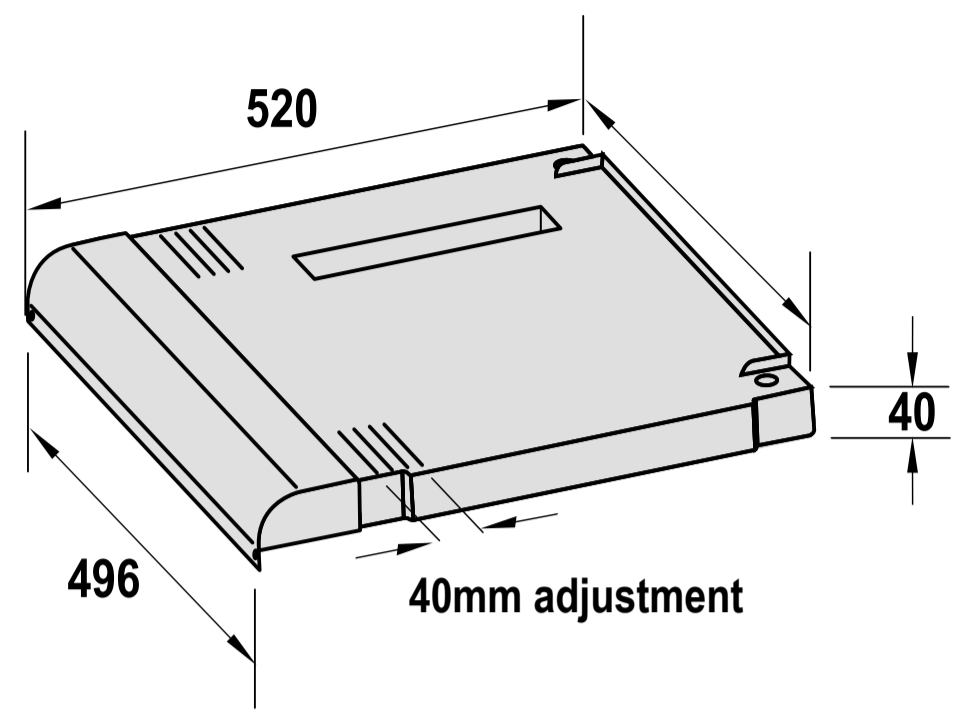
**Ventilation requirements** Contact your local service provider if ventilation is not suitable

**Clearance envelope**

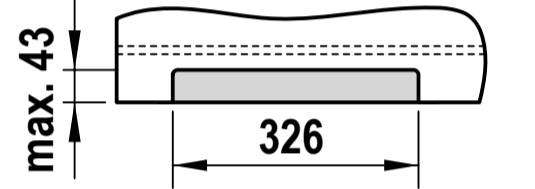
Position the Tap and the Command Centre as close together as possible.



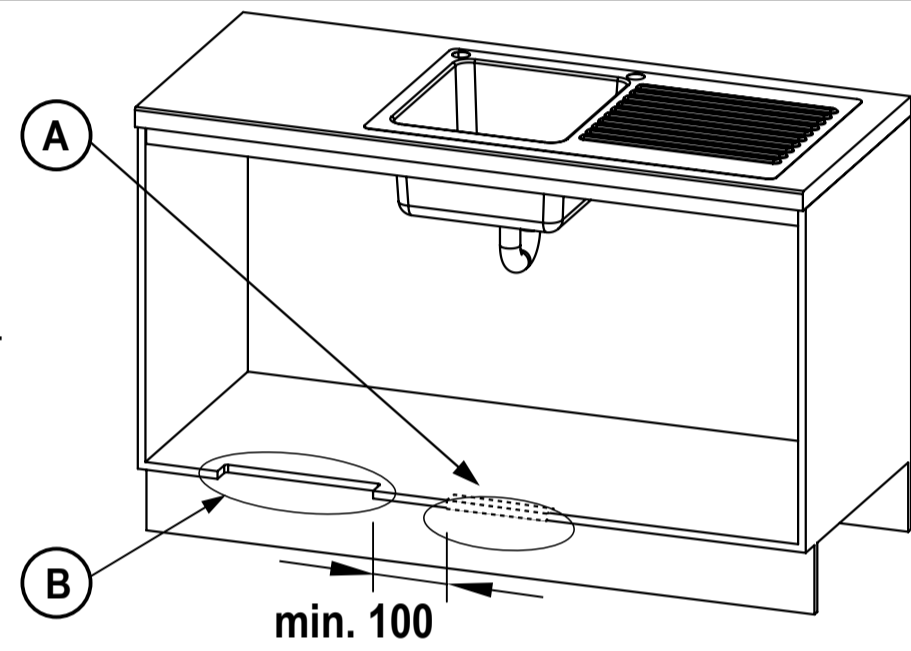
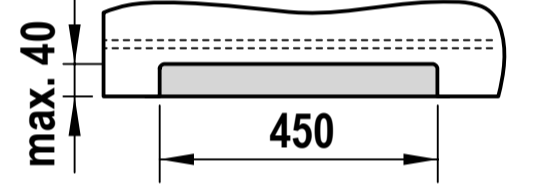
**Vent tray (kit no. 93541)**



**Detail A. Air inlet grille**  
Cut-out in cabinet floor

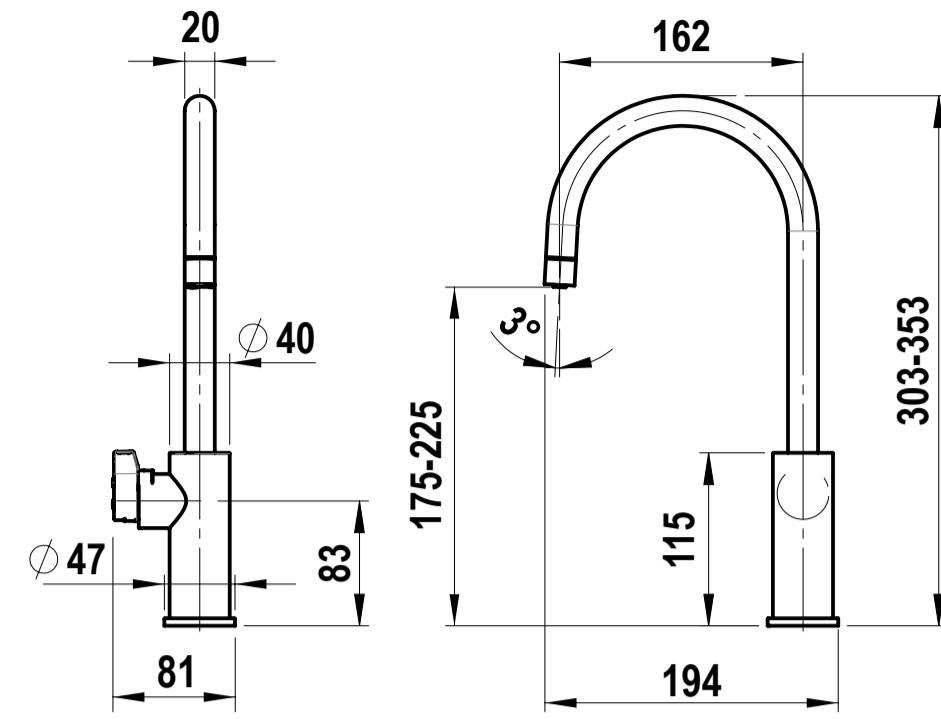


**Detail B. Vent Tray air outlet**  
Cut-out in cabinet floor

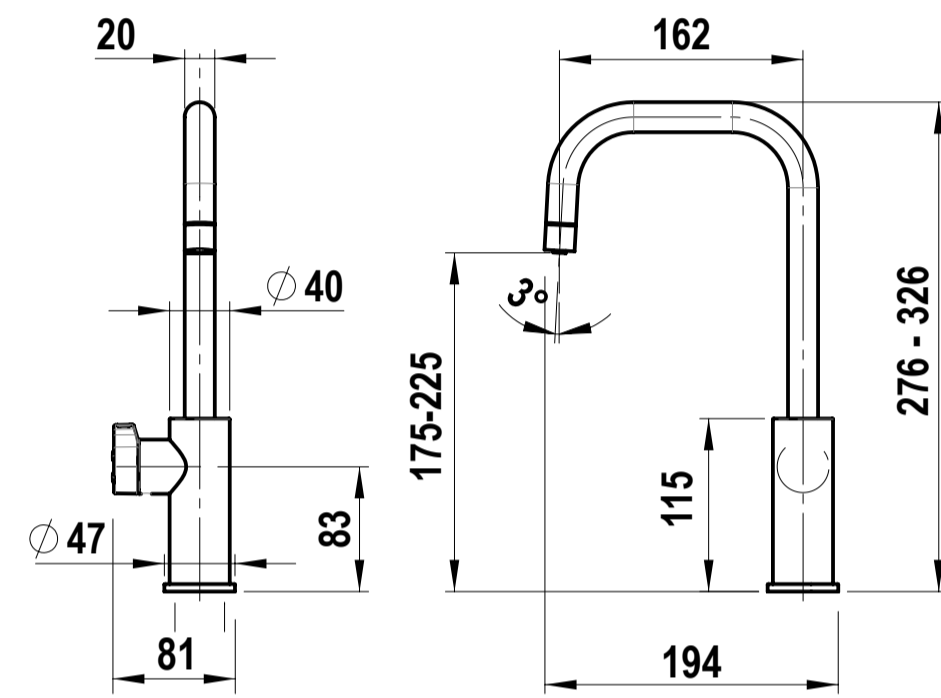


**HydroTap Tap options**

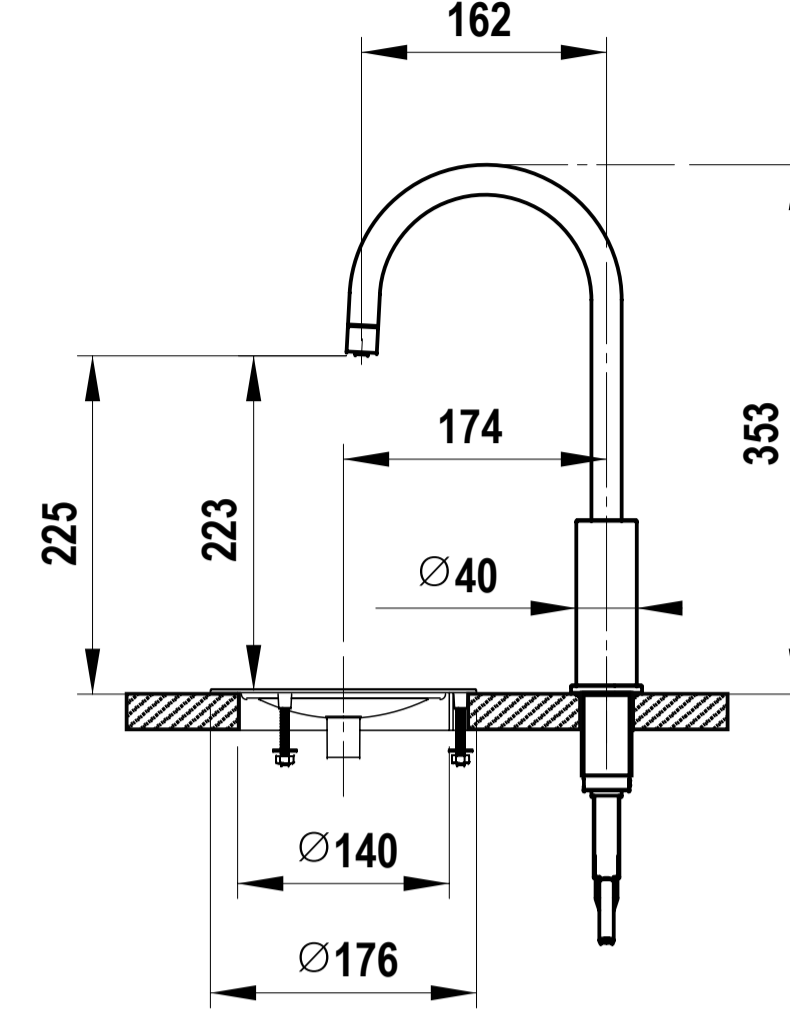
**HydroTap Arc Tap**



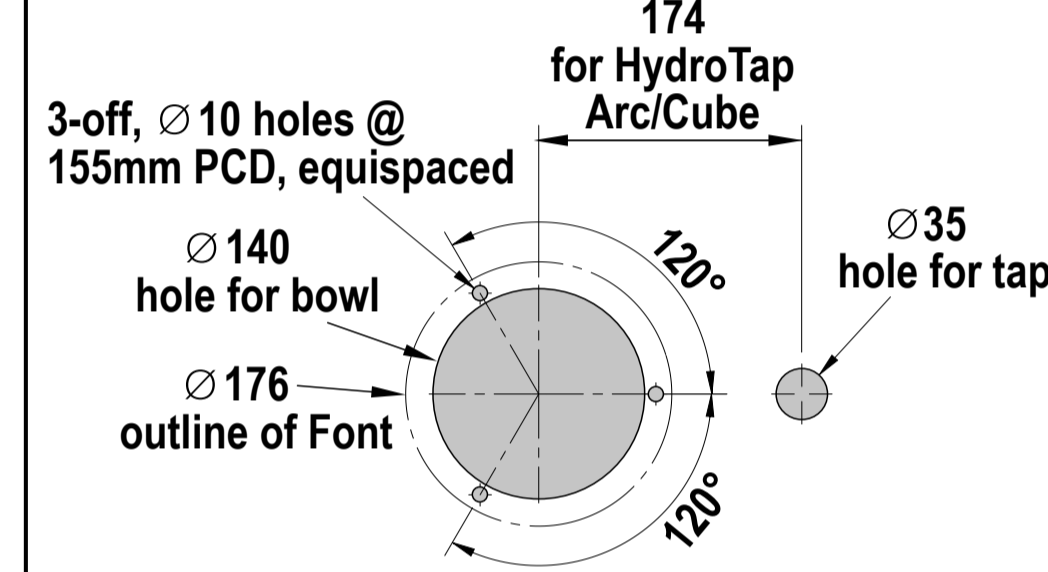
**HydroTap Cube Tap**



**Standalone Font with Arc Tap**

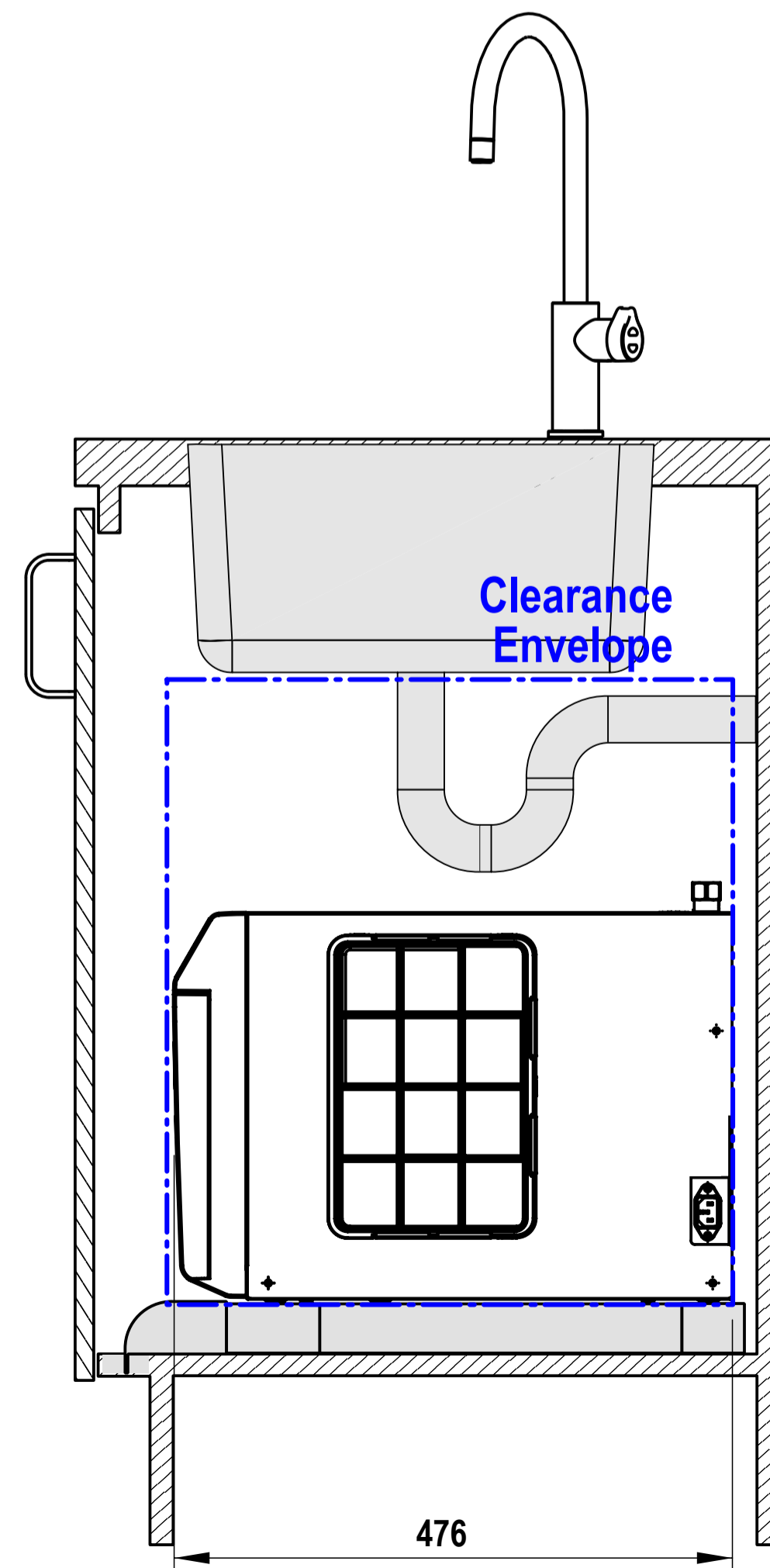
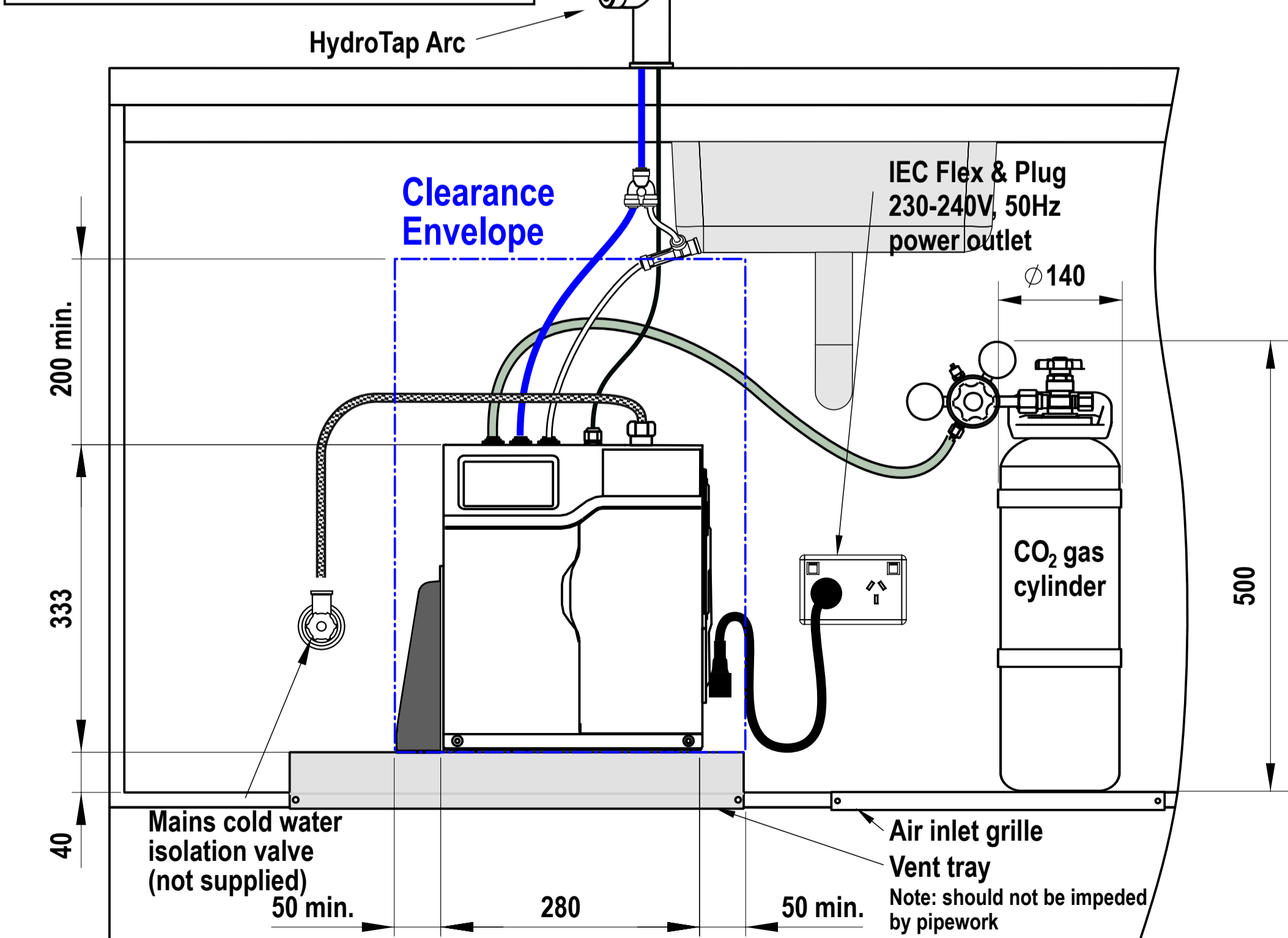
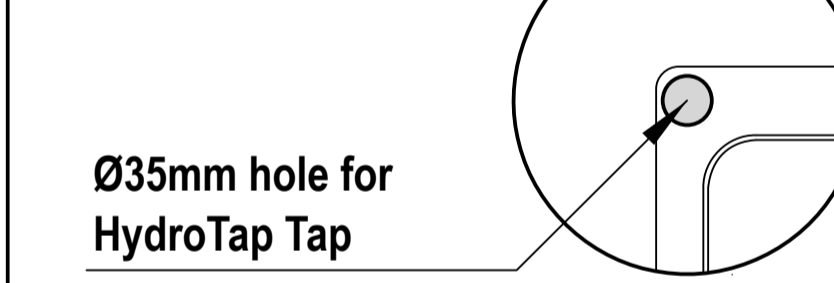


**Cutting detail**



**Tap Positioning**

Position the Tap to dispense into the sink, allowing clearance for a cup or teapot. Alternatively, mount on a Font (available as an accessory).



SCALE 1:5  
ALL DIMENSIONS IN MM UNLESS OTHERWISE SPECIFIED. INSTALLATION DIAGRAMS ARE FOR ILLUSTRATIVE PURPOSES ONLY. HOSES ARE NOT SHOWN TO SCALE AND CANNOT BE LENGTHENED.

**HydroTap G5  
CS100**

shown with HydroTap Arc