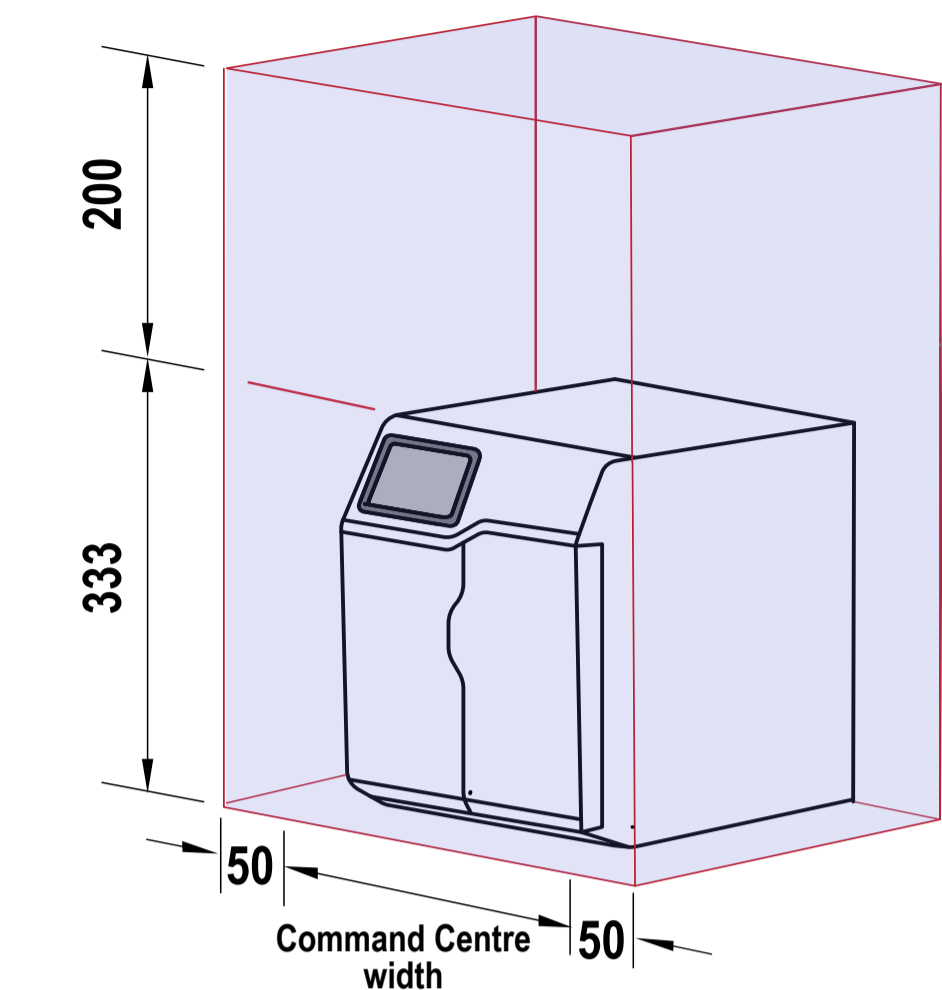


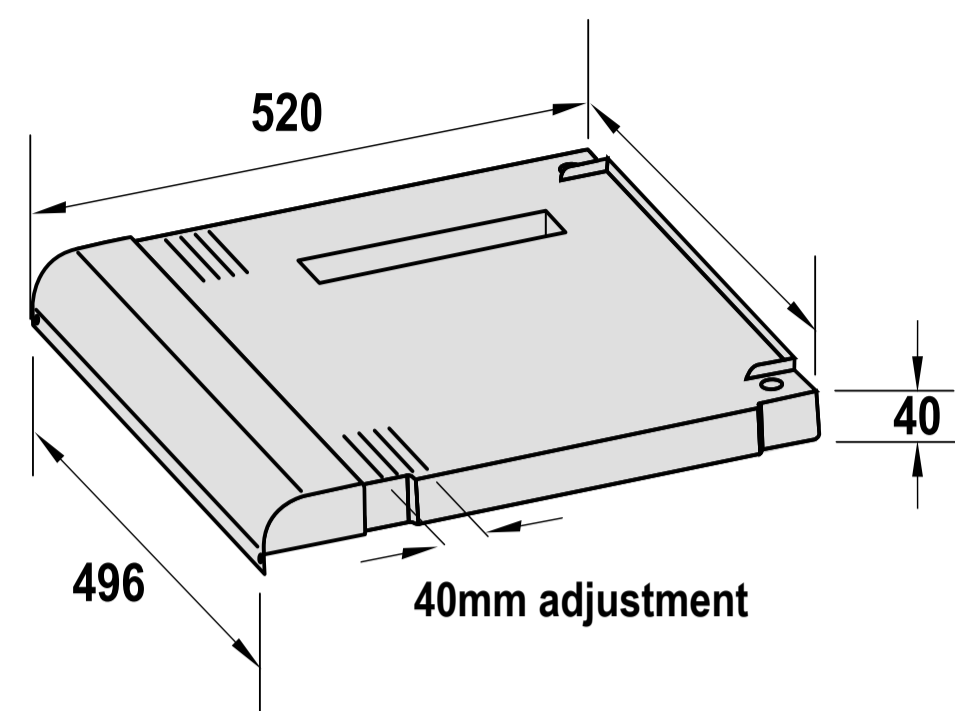
Ventilation requirements Contact your local service provider if ventilation is not suitable

Clearance envelope

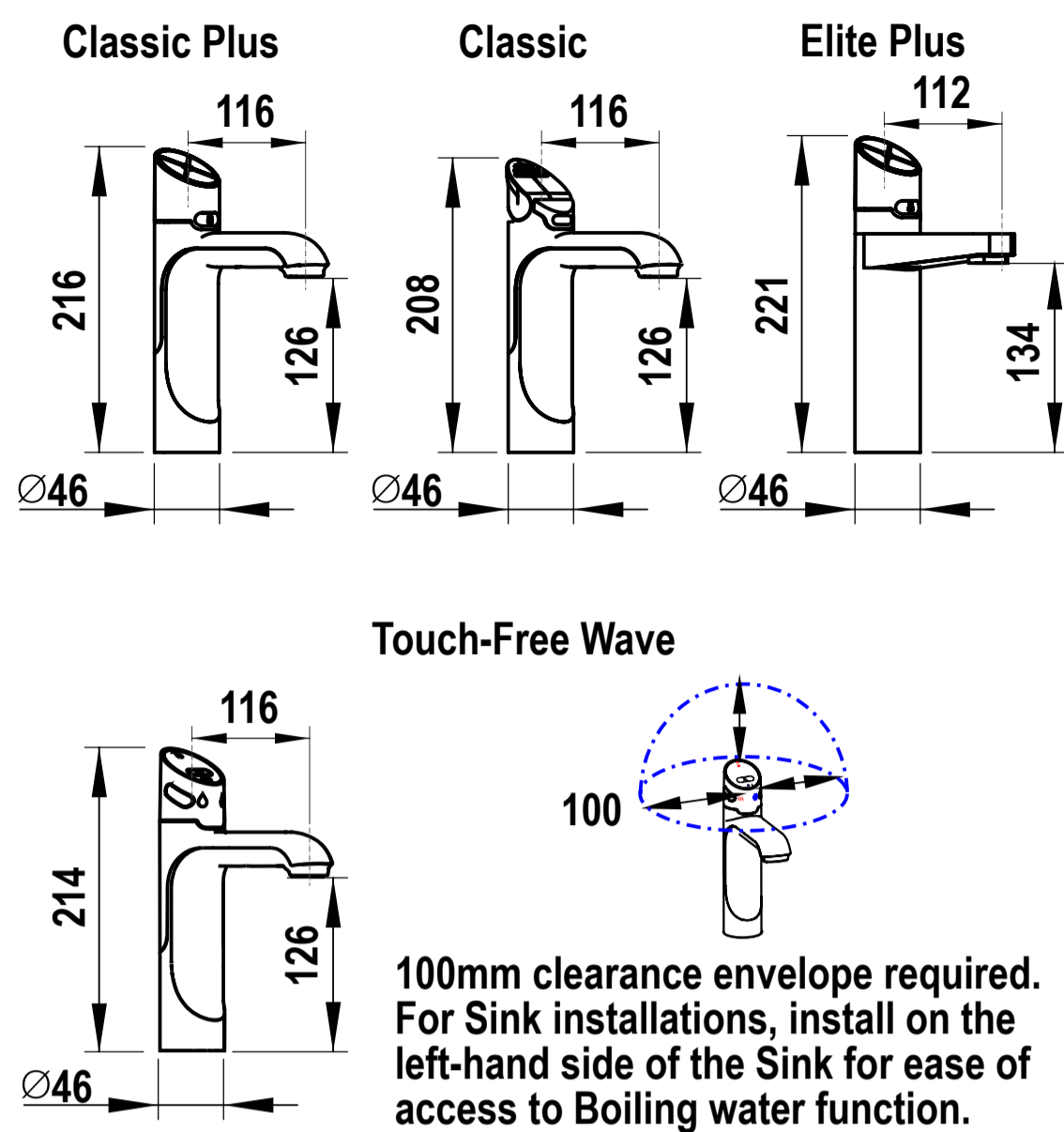
Position the Tap and the Command Centre as close together as possible.



Vent tray (kit no. 93541)

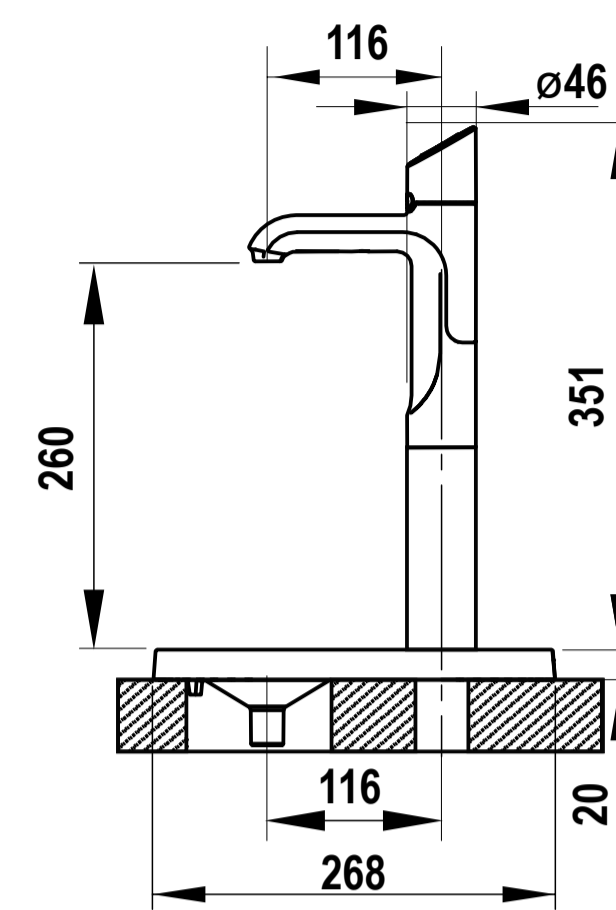


HydroTap Tap options

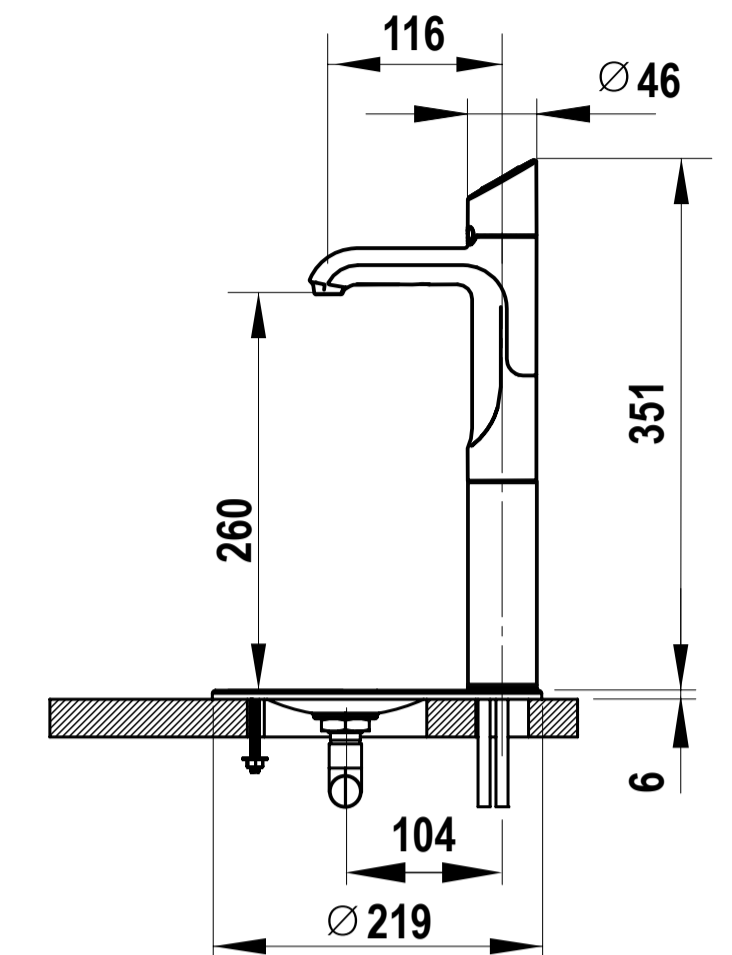


Font options

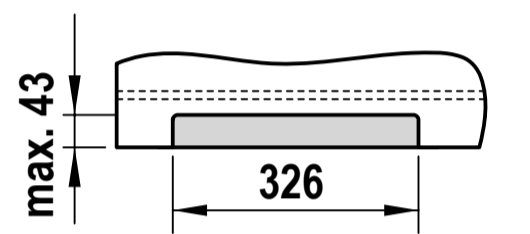
Raised Font with 135mm Extension part no. 95258



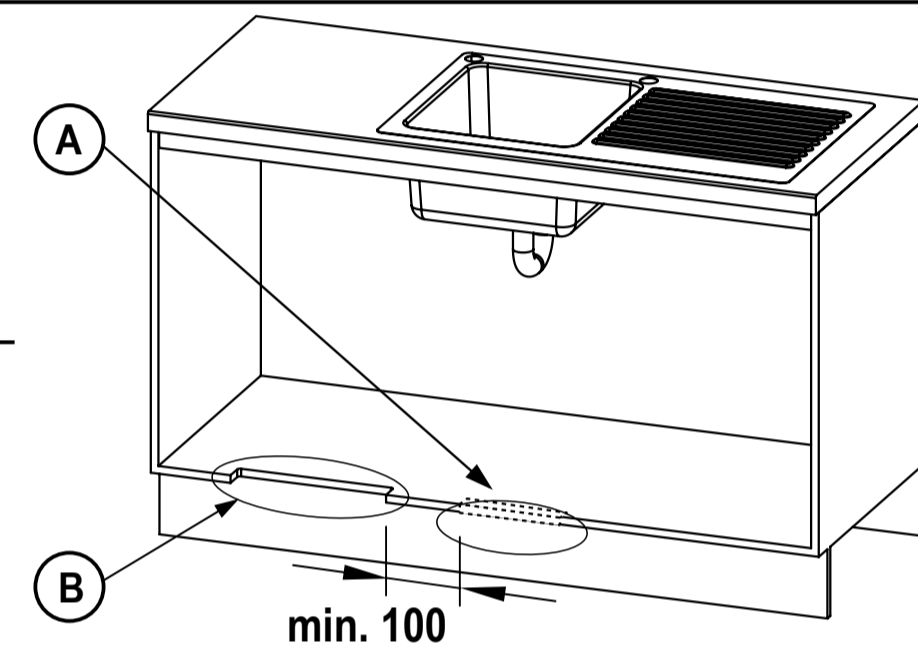
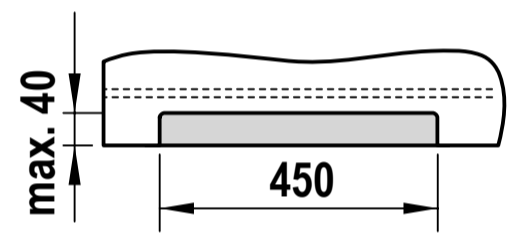
Font with 135mm Extension part no. 90915



Detail A. Air inlet grille Cut-out in cabinet floor



Detail B. Vent Tray air outlet Cut-out in cabinet floor



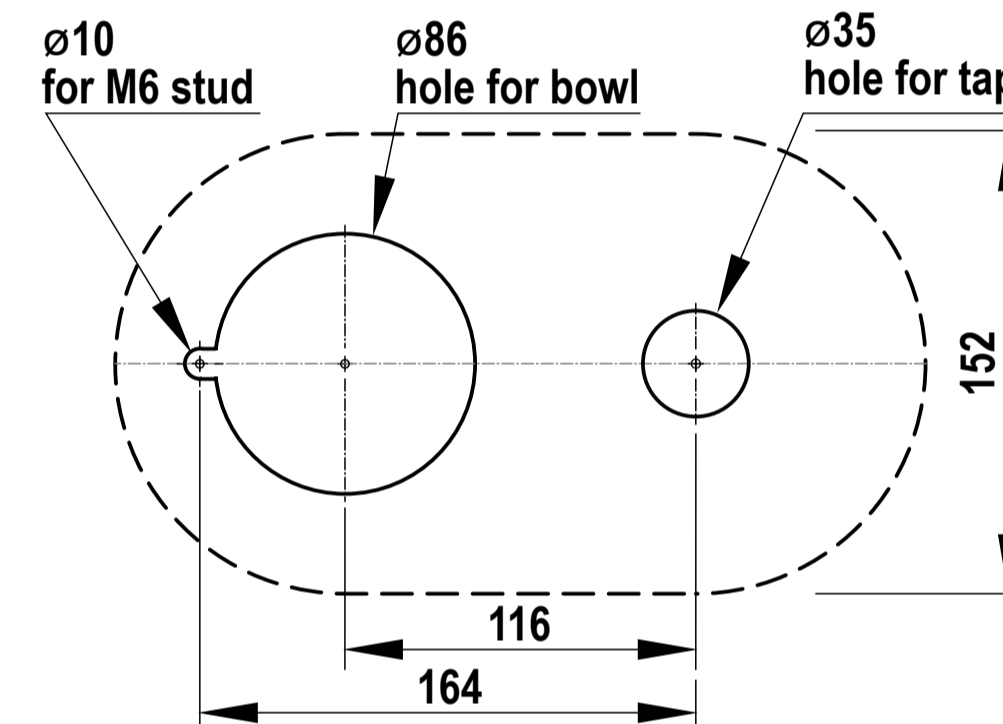
Tap Positioning

Position the Tap to dispense into the sink, allowing clearance for a cup or teapot. Alternatively, mount the HydroTap Tap on a Font (available as an accessory).

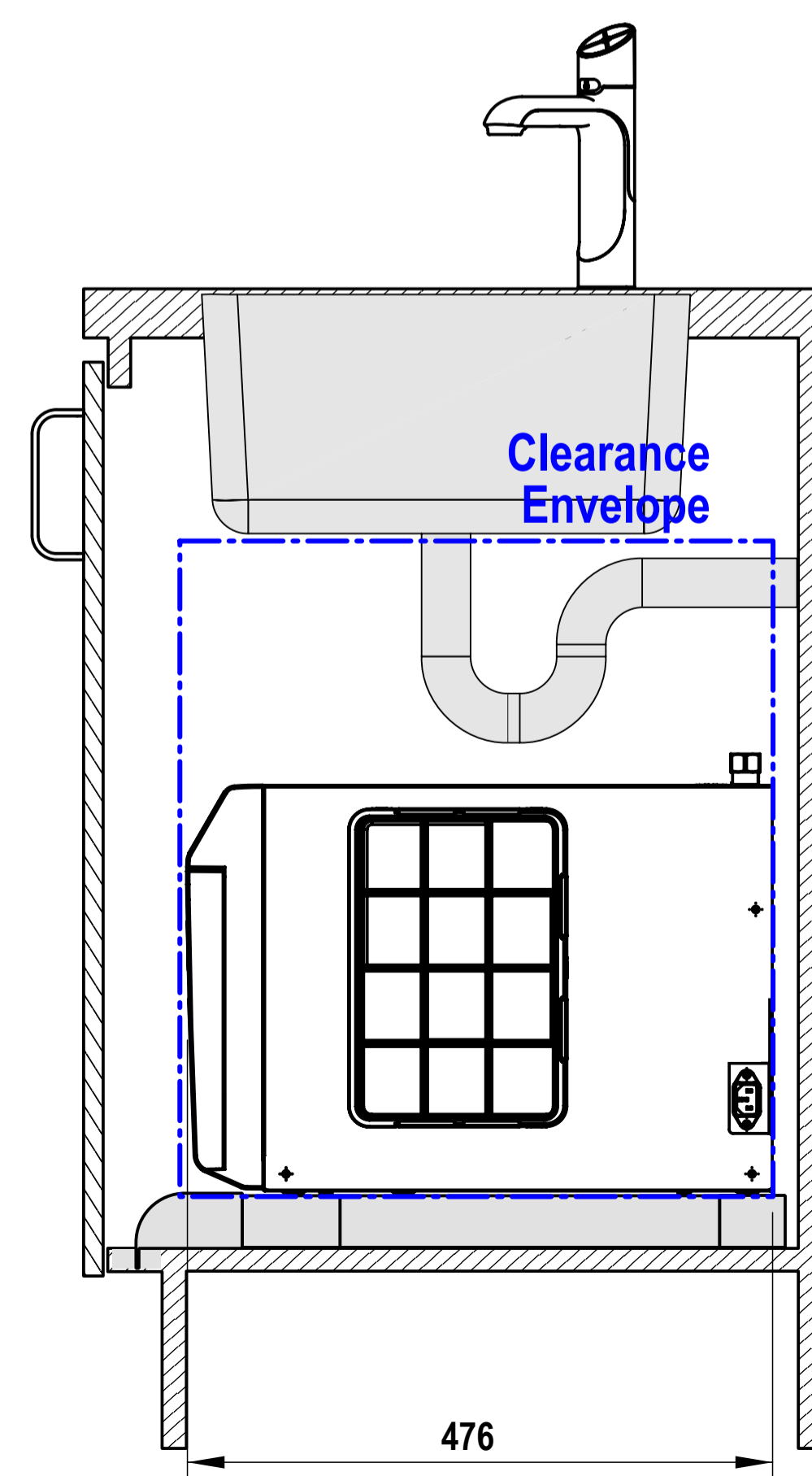
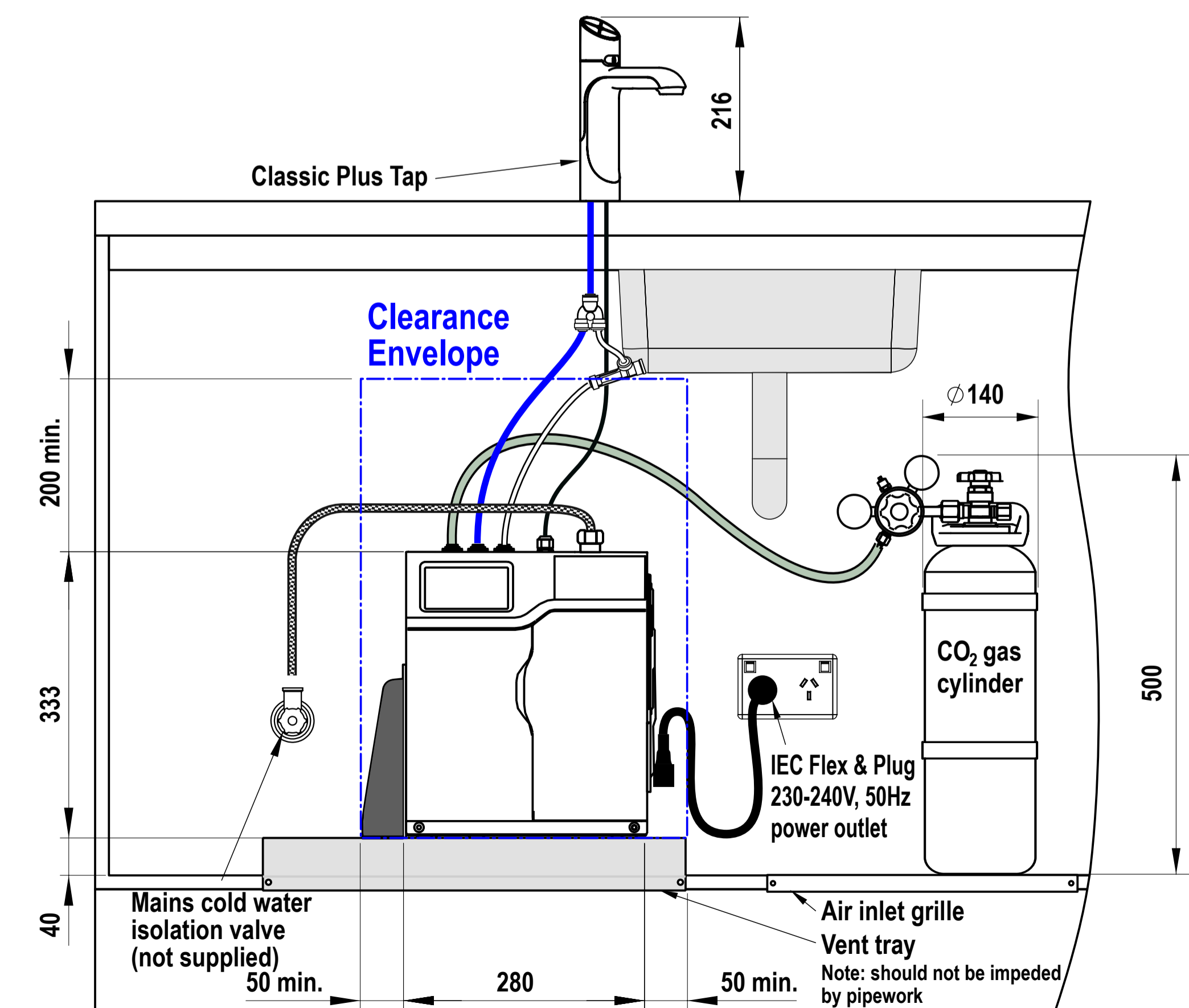
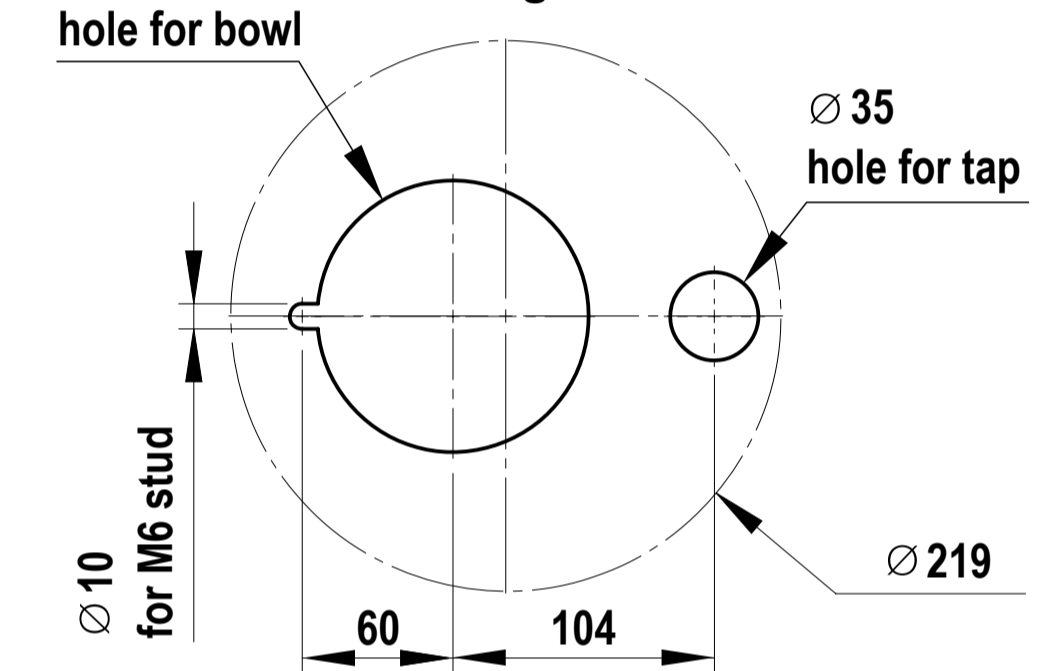
Ø35mm hole for HydroTap Tap



Cutting detail



Cutting detail



HydroTap G5 CS100

shown with "Classic Plus" Tap