



DAVEY XJ Series

Model Numbers:
XJ50P, XJ70P, XJ90P

GUARANTEE
2 YEARS

APPLICATIONS

Ideal for average homes with modern appliances to large double storey homes, domestic water supply, pressure boosting and automatic water transfer.

Tested in compliance with
AS/NZS 4020
for use in contact with safe drinking water

SINGLE STAGE JET ASSISTED PUMP WITH PRESSURE SWITCH

FEATURES & BENEFITS

- Manufactured from highest quality corrosion resistant materials
- Compact base mounting for quick and easy installation
- Fully adjustable pressure switch allows for installation adjustments
- TEFC motor-corrosion resistant and excludes dust and dirt
- Motor and pump designed for frequent starts
- Every tank and pump unit individually tested to guarantee reliable operation
- Low maintenance
- Easy to service if required

PUMP

- Single stage jet assisted centrifugal with closed vane impeller.
- 303 stainless steel pump shaft.

- Internal suction side check valve fitted.
- Mechanical shaft seal.
- O-ring casing seals.
- Pressure switch control with adjustable cut-in and cut-out pressure

MOTOR

- Davey manufactured.
- 2 pole, 2850rpm, 50Hz.
- TEFC with IP55 enclosure.
- Class F insulation.
- Permanently split capacitor design.
- Double contact sealed C3-HTG rated ball bearings.
- Protected against both high operating temperatures and high current by a built-in automatically resetting thermal overload

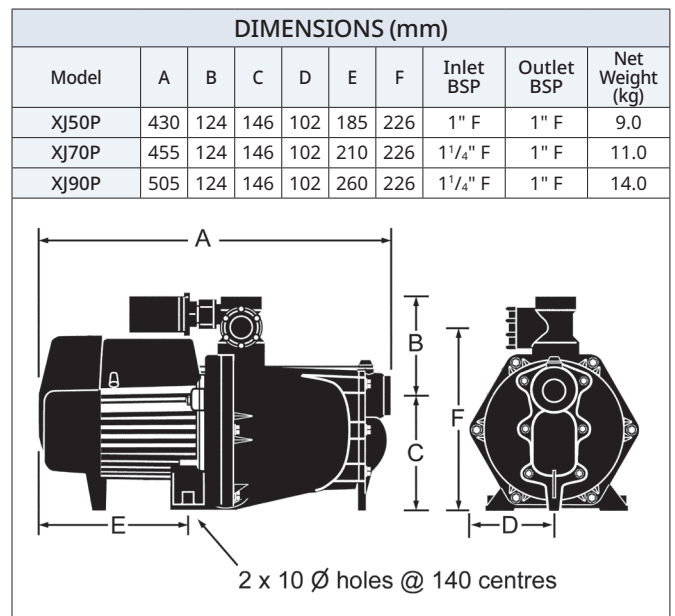
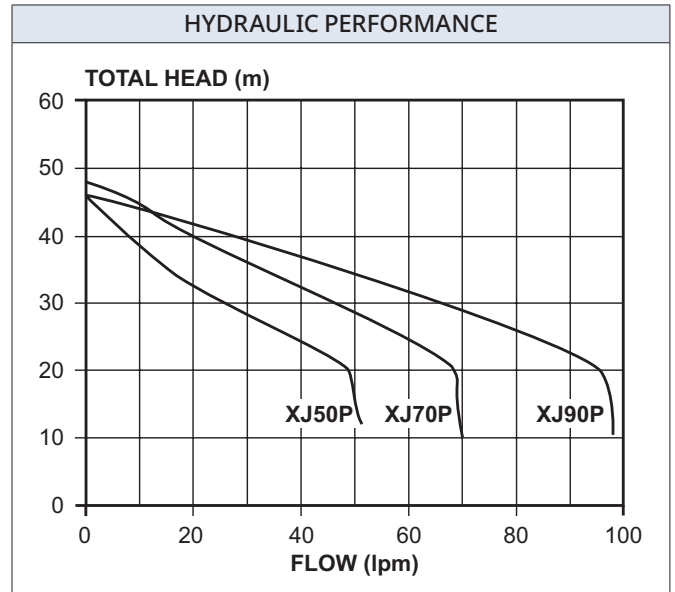
Note: These pumps must be installed with a Davey Supercell pressure tank. Davey recommend the 24008P or 24018P tank for top mounting onto the pump.

OPERATING LIMITS			
Model	XJ50P	XJ70P	XJ90P
Capacities to	50 lpm	70 lpm	90 lpm
Maximum total head	46m	48m	46m
Cut-in pressure (factory setting)	180kPa	210kPa	210kPa
Cut-out pressure (factory setting)	390kPa	420kPa	350kPa
Maximum liquid temperature	50°C		
Maximum ambient temperature	55°C		
Maximum suction lift	7m		
Inlet size (BSP)	1" F	1¼" F	1¼" F
Outlet size (BSP)	1" F	1" F	1" F

MATERIALS OF CONSTRUCTION	
PART	MATERIAL
Impellers	Glass filled polycarbonate
Pump casing	Glass filled Noryl
Pump shaft sleeve	Brass
Internal check valve	Delrin
Internal check valve spring	Stainless spring steel
Jet and Venturi	Acetal
Inlet & outlet ports	Glass filled Noryl
Seal ring (stationary)	Carbon
Seal ring (rotating)	Ceramic
Seal spring	304 Stainless Steel
O-rings	Nitrile rubber

ELECTRICAL DATA			
Model	XJ50P	XJ70P	XJ90P
Supply voltage	220-240V		
Supply frequency	50Hz		
Full load current	3.6A	5.1A	6.6A
Locked rotor current	12A	18A	28A
Input power (P ₁)	0.84kW	1.15kW	1.4kW
Output power (P ₂)	0.58kW	0.8kW	1.1kW
Insulation class	Class F		
Starting	P.S.C.		
IP rating	IP55		

INSTALLATION AND PRIMING
<ul style="list-style-type: none"> On installations with suction lifts over 1m, a good quality foot valve should be fitted. In this case the in-built check valve must be removed from the suction inlet before installing suction piping. The system is primed by filling the pump and suction line with water through the priming port, and replacing priming plug prior to switching on.



daveywater.com

This literature is not a complete guide to product usage. All images provided in this document are for illustration purposes only. Further information is available from your Davey Dealer, Davey Support Centre and from the relevant product Installation and Operating Instructions. Must be read in conjunction with the relevant product Installation and Operating Instructions and all applicable statutory requirements. Product specifications may change without notice. © Davey is a registered trademark of Davey Water Products Pty Ltd. © Davey Water Products Pty Ltd 2024.

